

Pan-Steel® Stainless Steel Installation Tools – RT2HT and BT2HT Series

Panduit® Pan-Steel® Installation Tools work with Pan-Steel® Stainless Steel Cable Ties and Strapping to provide consistent, reliable bundling at the lowest installed cost.

- RT2HT and RT2HTN tools installs extra-heavy .50" (12.7mm) through super-heavy .63" (15.9mm) cross section stainless steel metal locking ties
- BT2HT tool installs .38" (9.5mm) through .63" (15.9mm) cross section stainless steel strapping

These industry-leading ergonomic tools are designed to reduce operator fatigue, promote worker safety, and improve productivity, optimizing bundling and fastening in industrial and harsh environments.



Key Features and Benefits

RT2HT and RT2HTN Installation Tools

Cable Tie Side Entry
Allows quick side entry of tie into tool to speed installation

Multi-Position Rear Handle
Provides flexibility for a one or two hand installation

Adjustable Tension Control
Provides consistent bundle tension

Superior Cutter Design
Reduces cutting effort by 50%, diminishing operator fatigue

Replaceable Cutter Blade*
Field repairable for long service life

Superior Cutter Handle Design**
Increased strength for long service life

Additional Feature of RT2HTN Installation Tool

Narrow Nose Design
Allowing access to confined spaces

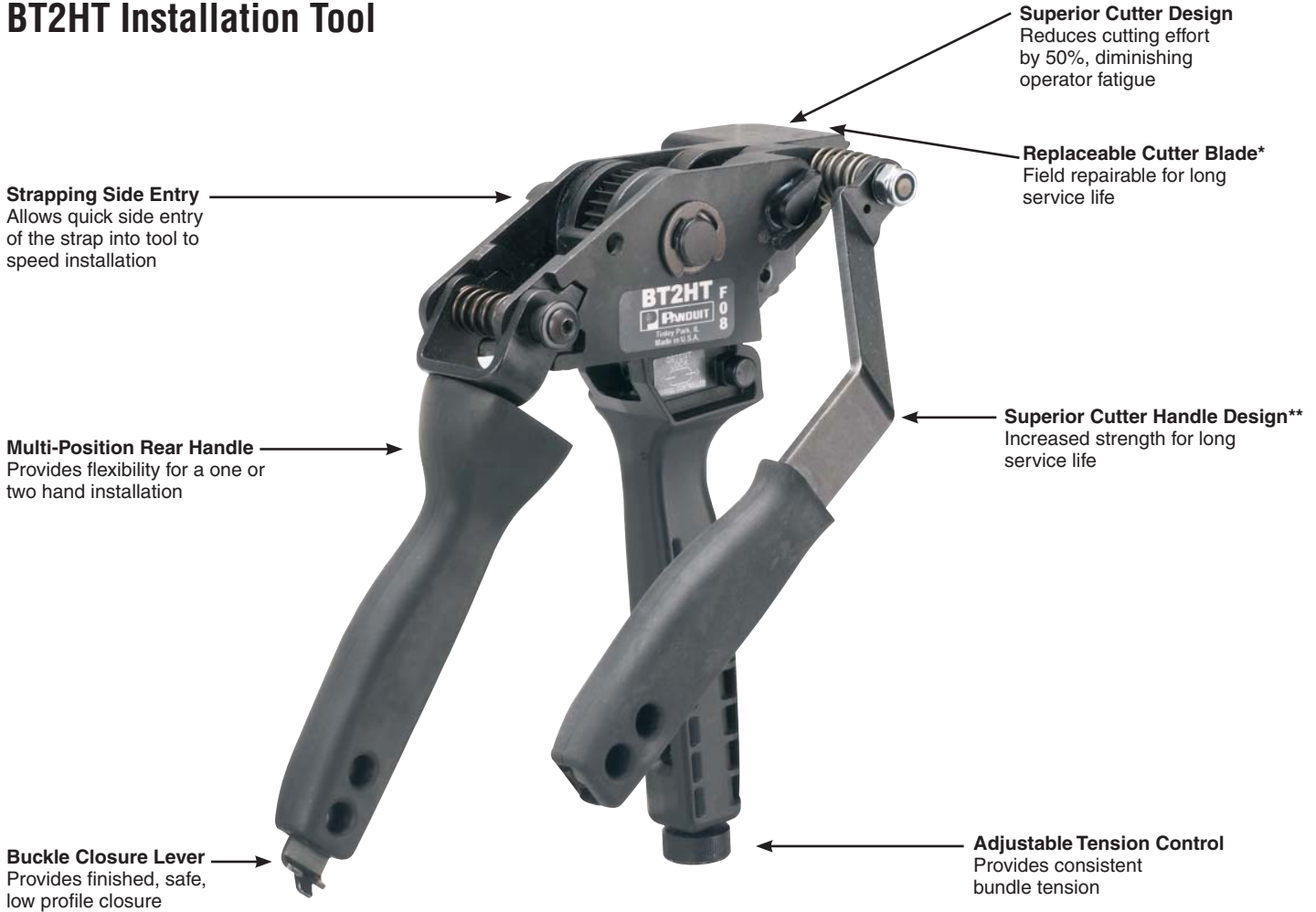


*Replaceable cutter blade available only for RT2HT and BT2HT.

**Replaceable cutter handle available only for RT2HT and BT2HT.

Panduit® Pan-Steel® Installation Tools

BT2HT Installation Tool



*Replaceable cutter blade available only for RT2HT and BT2HT.

**Replaceable cutter handle available only for RT2HT and BT2HT.

Pan-Steel® Installation Tools Ordering Information

| Part Number | Description | Std. Pkg. Qty. |
|-------------|---|----------------|
| RT2HT | Use with extra-heavy .50" (12.7mm) and super-heavy .63" (15.9mm) cross section Pan-Steel® type MLT ties. Width of tool nose 2.60" (66.0mm). | 1 |
| RT2HTN | Narrow nose installation tool for use with extra-heavy .50" (12.7mm) and super-heavy .63" (15.9mm) cross section Pan-Steel® type MLT ties. Width of tool nose 1.06" (27.0mm). | 1 |
| BT2HT | Used with all widths of Panduit® Pan-Steel® MS Strapping. Tensions, cuts strapping, and secures the buckle tab. | 1 |
| KRT2BLD | Replacement cutter blade for RT2HT and BT2HT. | 1 |
| KRT2HNDL | Replacement cutter handle for RT2HT and BT2HT. | 1 |

WORLDWIDE SUBSIDIARIES AND SALES OFFICES

PANDUIT CANADA
Markham, Ontario
cs-cdn@panduit.com
Phone: 800.777.3300

PANDUIT EUROPE LTD.
London, UK
cs-emea@panduit.com
Phone: 44.20.8601.7200

PANDUIT SINGAPORE PTE. LTD.
Republic of Singapore
cs-ap@panduit.com
Phone: 65.6305.7575

PANDUIT JAPAN
Tokyo, Japan
cs-japan@panduit.com
Phone: 81.3.6863.6000

PANDUIT LATIN AMERICA
Guadalajara, Mexico
cs-la@panduit.com
Phone: 52.33.3777.6000

PANDUIT AUSTRALIA PTY. LTD.
Victoria, Australia
cs-aus@panduit.com
Phone: 61.3.9794.9020

For a copy of Panduit product warranties, log on to www.panduit.com/warranty

For more information

Visit us at www.panduit.com

Contact Customer Service by email: cs@panduit.com
or by phone: 800.777.3300 and reference

PANDUIT®

©2014 Panduit Corp.
ALL RIGHTS RESERVED.
Product Bulletin Number **SSCB01--WW-ENG**
Replaces WW-SSCB19
3/2014

X-ON Electronics

Largest Supplier of Electrical and Electronic Components

Click to view similar products for [Cable Mounting & Accessories](#) category:

Click to view products by [Panduit](#) manufacturer:

Other Similar products are found below :

[582603-1](#) [009333-000](#) [727844N003](#) [747](#) [809090N001](#) [843188-000](#) [8666](#) [967279N002](#) [DB-11](#) [1300840039](#) [1300900096](#) [1301800416](#)
[1302264450](#) [1300830184](#) [1300830729](#) [1300900039](#) [1301580036](#) [1301850553](#) [1301860939](#) [1302000074](#) [1302261315](#) [1302264431](#)
[1337706-2](#) [APA18-AK](#) [1724](#) [1-787307-1](#) [185491N001](#) [1868](#) [HP-6N](#) [C-202-C](#) [202C221-13-0](#) [CA7308-000](#) [8S23-75FR-CS8184](#) [2684](#) [9648](#)
[3089](#) [988382-000](#) [A72821-000](#) [AA401](#) [173506-000](#) [1823](#) [202C292-13-0](#) [202C302-13-0](#) [2109](#) [300625](#) [3330](#) [3412](#) [356247-1](#) [M9142](#)
[M9143](#)