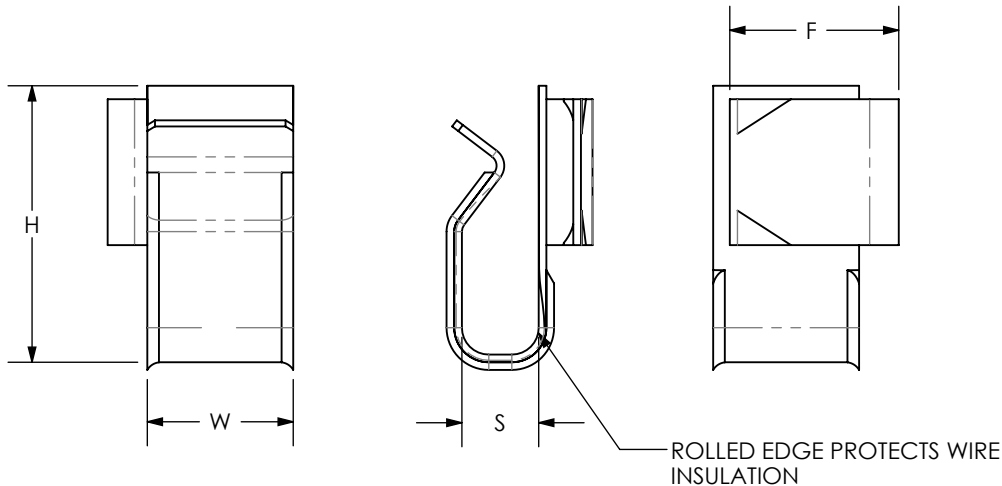
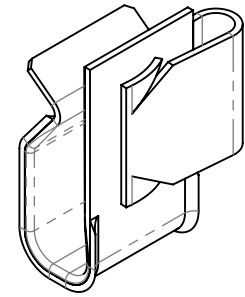


THIS COPY IS PROVIDED ON A RESTRICTED BASIS AND IS NOT TO BE USED IN ANY WAY DETRIMENTAL TO THE INTERESTS OF PANDUIT CORP.

PART NUMBER	PANEL THICKNESS	WIRE DIAMETER	RECOMMENDED FOR USE WITH 1000V SOLAR WIRES	DIMENSIONS - IN [mm]			
				F	H	S	W
MEC100-90-PV-C	.051-.098" [1.3-2.5mm]	.161-.240" [4.1-6.1mm]	1 OR 2 12 GAUGE, USE-2 WIRES	.44 [11.2]	.72 [18.3]	.20 [5.1]	.38 [9.7]
MEC100-90-2PV-C	.051-.098" [1.3-2.5mm]	.200-.300" [5.1-7.6mm]	1 OR 2 10 GAUGE, PV WIRES	.44 [11.2]	.83 [21.1]	.26 [6.6]	.38 [9.7]



**NOTES:**

1. UL LISTED TO US AND CANADIAN REQUIREMENTS UNDER FILE E136577
2. MATERIAL: .02" [.5] THICK 410 STAINLESS STEEL
3. CABLE ORIENTATION IS 90 DEGREES TO PANEL EDGE
4. NO INSTALLATION TOOLS REQUIRED
5. PACKAGING QTY: C = 100

REV	DATE	BY	CHK	APR	DESCRIPTION	ECN
01	12/19	JHNU	TMR	RGB	REVISED UPPER LIMIT ON WIRE DIAMETER RANGE	056434
00	11/19	JHNU	TMR	RGB	DRAWING RELEASED	056434

TITLE		SOLAR METAL EDGE CLIP, 90° ORIENTATION (MEC100-90-PV-C, MEC100-90-2PV-C) CUSTOMER DRAWING	
ITEM REVISION NAME	00494EBL/00		
DATASET FILE NAME	00494EBL-DC/00.SLDDRW		
UNLESS OTHERWISE SPECIFIED, DIMENSIONAL TOLERANCES ARE: IN [mm]		MATERIAL	
.X ± .XX ± .04 [1.0]		SEE NOTES	
.XXX ± ANGLES ±		DRAWING NUMBER	
THIRD ANGLE PROJECTION		00494EBL-DC	
DRAWN BY	DATE	CHK	SCALE
JHNU	11/19	TMR	N/A
SHEET 1 OF 1			SIZE A

## X-ON Electronics

Largest Supplier of Electrical and Electronic Components

*Click to view similar products for [Cable Mounting & Accessories](#) category:*

*Click to view products by [Panduit](#) manufacturer:*

Other Similar products are found below :

[8945](#) [8950](#) [8961](#) [582603-1](#) [009333-000](#) [CXA-0069](#) [D-150-0175CS2902](#) [70.060.1628.0](#) [727844N003](#) [770-1102](#) [770-1204](#) [770-1205-10](#)  
[770-1301-10](#) [770-1306](#) [770-1422](#) [770-1602](#) [770-1603](#) [770-1604](#) [770-1607](#) [790-1002](#) [809090N001](#) [843188-000](#) [843459N001](#) [8666](#)  
[PVC10512-BLACK-500](#) [PVC1056-BLACK-500](#) [DB-11](#) [1301800416](#) [1302030548](#) [1302264450](#) [1300830184](#) [1300830729](#) [1300900039](#)  
[1301580036](#) [1301850553](#) [1301860900](#) [1301860939](#) [1302000074](#) [1302261315](#) [1302264431](#) [APA18-AK](#) [MSK-0001](#) [1-787307-1](#) [1868](#) [HP-](#)  
[6N](#) [C-202-C](#) [202C221-13-0](#) [CA7308-000](#) [229408-1](#) [KC-201](#)