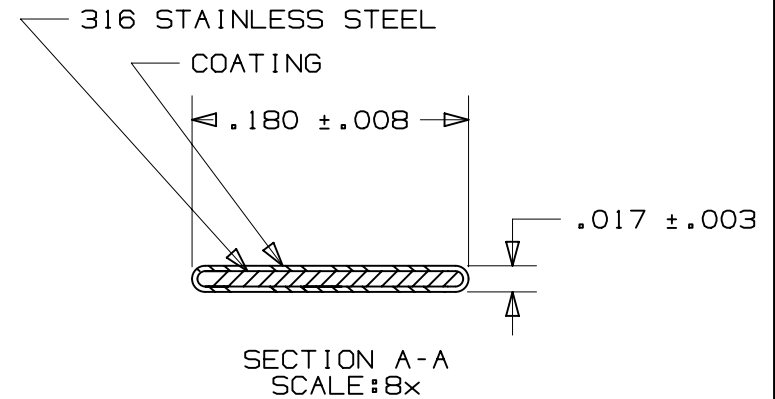
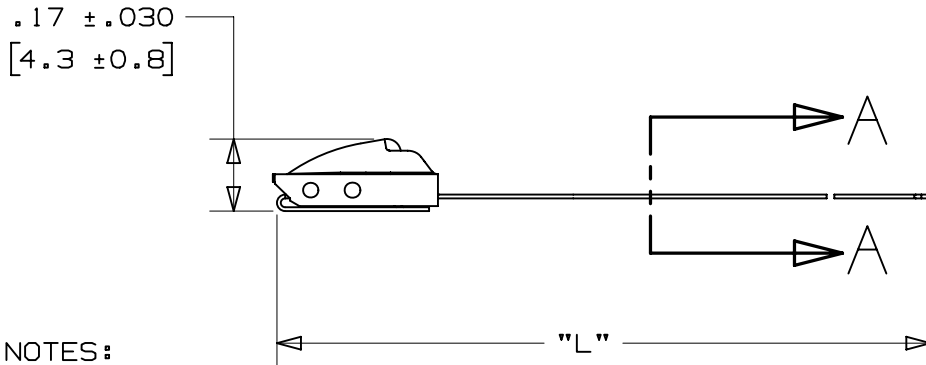
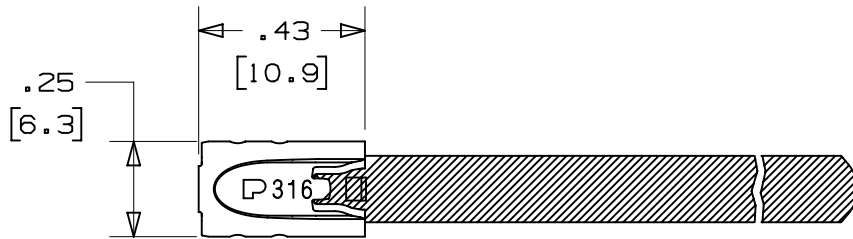


THIS COPY IS PROVIDED ON A RESTRICTED BASIS AND IS NOT TO BE USED IN ANY WAY DETRIMENTAL TO THE INTERESTS OF PANDUIT CORP.



NOTES:

- 1.) APPLICATION TOOLS - GS4MT, PPTMT, ST2MT, ST3MT, HTMT
- 2.) MINIMUM LOOP TENSILE STRENGTH - 100 LBS. (445 NEWTONS) WHEN TESTED ON A 1.5" MANDREL.
- 3.) BRACKETS [ ] DENOTES DIMENSION IN MILLIMETERS, AND ARE FOR REFERENCE ONLY
- 4.) TOLERANCES:
  - .XXX = ±.010 [ .25 ]
  - .XX = ±.02 [ .5 ]
  - .X = ±.03 [ .8 ]
  - ANGLES = ±2°
- 5.) MATERIAL: 316 STAINLESS STEEL
- 6.) COATING - POLYESTER  
COATING THICKNESS: .002 MIN./ .005 MAX. PER SIDE

PANDUIT PART NO.	MAX BUNDLE DIA.	PACKAGE QTY	LENGTH L ±.3 [ 7 ]
MLTFC1.5S-CP316	1.5" [ 38 ]	100	6.2" [ 157 ]
MLTFC2.5S-CP316	2.5" [ 64 ]	100	9.2" [ 234 ]
MLTFC3.4S-CP316	3.4" [ 86 ]	100	12.2" [ 310 ]
MLTFC5.4S-CP316	5.4" [ 137 ]	100	18.2" [ 462 ]

TITLE						METAL LOCKING TIE - COATED STANDARD SERIES						
CUSTOMER DRAWING						PANDUIT						
ITEM REVISION NAME						N41273BS/02						
DATASET FILE NAME						N41273BS/02						
UNLESS OTHERWISE SPECIFIED, DIMENSIONAL TOLERANCES ARE: IN [ mm ]						MATERIAL:						
.x ± .1 [ 2.54 ]      .xxx ± .005 [ .127 ]						316 STAINLESS STEEL						
.xx ± .01 [ .25 ]      ANGLES ± 5 °						DRAWING NUMBER:						
THIRD ANGLE PROJECTION						N41273BS_DC						
REV	DATE	BY	CHK	APR	DESCRIPTION	ECN	DRAWN BY	DATE	CHK	SCALE	SHT 1 OF 1	SIZE
02	02.24.15	BDK	SKB	RGR0	UPDATED TITLE BLOCK AND BORDER	N41273BS_DC	JAMB	02.24.15	EJD	2:1		A

D10100DA/16

## X-ON Electronics

Largest Supplier of Electrical and Electronic Components

*Click to view similar products for [Cable Ties](#) category:*

*Click to view products by [Panduit](#) manufacturer:*

Other Similar products are found below :

[20093-0](#) [SJ-3463](#) [SJ3518FR-1x50](#) [SJ3526N-Beige-2"x50yd](#) [SJ3526N BLACK 58" X 50YD](#) [SJ3571](#) [SJ-3571-1"x50yd-Black](#) [20113-0](#)  
[T56137](#) [3-350087-0](#) [CTB75X75BKA-C](#) [3722](#) [561-B110120](#) [561-EZAB580T](#) [561-EZS375B40](#) [561-N3510](#) [561-TA250125](#) [08350-0](#) [08443-0](#)  
[08600-0](#) [10035-0](#) [10036-0](#) [10037-0](#) [10325-0](#) [10362-0](#) [10606-0](#) [561-EZ250](#) [561-EZ500](#) [561-EZ625](#) [561-EZ750](#) [561-TA00600](#) [SJ3519FR](#)  
[BLACK 1X50](#) [SJ3527N-Beige-2"x50yd](#) [SJ3527N-LOOP-BLACK-1](#) [SJ3572-2"x50yd-Black](#) [157-00039](#) [3719](#) [SJ-3401 BLACK 1"](#) [08445-0](#)  
[08582-0](#) [08386-0](#) [10431-0](#) [08359-0](#) [10056-0](#) [10620-0](#) [10345-0](#) [10344-0](#) [08416-0](#) [08384-0](#) [08401-0](#)