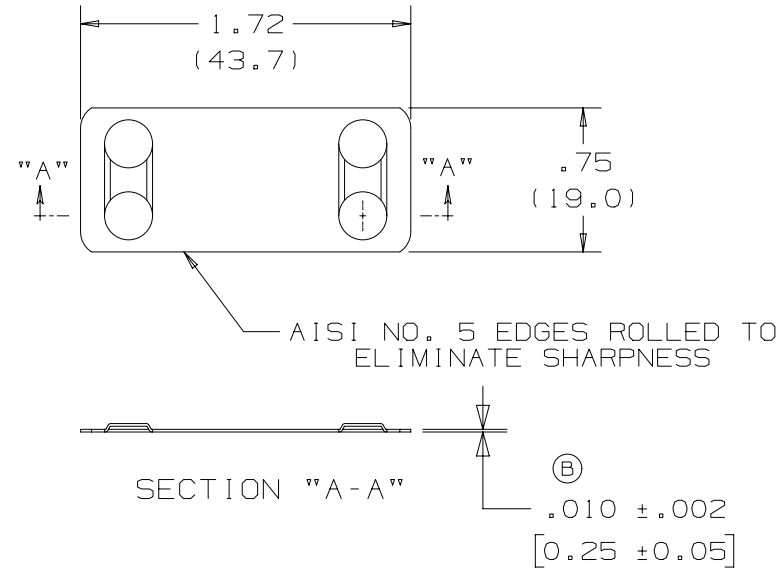


THIS COPY IS PROVIDED ON A RESTRICTED BASIS AND IS NOT TO BE USED IN ANY WAY DETRIMENTAL TO THE INTERESTS OF PANDUIT CORP.

(A)



07A

PART NO.	MATERIAL	PKG. QTY.
MMP172-C	304 S.S.	100
MMP172-C316	316 S.S.	100
MMP172-M	304 S.S.	1000

NOTES:

1. DIMENSION IN () ARE mm.
2. CUSTOM PERMANENT MARKING AVAILABLE. CONSULT FACTORY.
3. USE WITH STD. CROSS SECTION MLT'S.
4. TOLERANCE (UNLESS OTHERWISE SPECIFIED):
 .XXX = ±.020 (.51)
 .XX = ±.03 (.8)

07A	12/11/17	RVU	CLW	JHAC	ADD MMP172-M TO TABLE WITH 1000 PIECES.	GAECN04428
06A	2/13	JAMB	MIM	RGRO	UPDATE DRAWING TO NEW PANDUIT TITLE BLOCK WITH PANDUIT LOGO	SSECN01031
05	1/07	JAMB	SKB	---	(B) ADDED THICKNESS DIMENSION TO SECTION "A-A"	SS00314
04	10/03	BRH	DPN	---	(A) ADDED PACKAGE QTY /CODE TO PART NUMBERS IN TABLE	11167
03	5/02	JAMB	DPN	---	REMOVED MATERIAL 302 SS FROM PART NO. MMP172	10041
02	2/01	KMD	SKB	---	FILE SPEC WAS N41045SA_PCD_01	09086
01	4/93	SM	LM	---	ADDED STK THK DIM	01532
00	3/91	SM	LM	---	RELEASED	00378
REV	DATE	BY	CHK	APR	DESCRIPTION	ECN

TITLE					
MINI STANDARD MARKER PLATE					
CUSTOMER DRAWING					
ITEM REVISION NAME	N41045BS/07				
DATASET FILE NAME	N41045BS_DC/07A				
UNLESS OTHERWISE SPECIFIED, DIMENSIONAL TOLERANCES ARE: IN (mm)	PANDUIT MATERIAL: STAINLESS STEEL DRAWING NUMBER: N41045BS_DC				
.X ± .XXX ± .XX ± .020 (.5) ANGES ±					
THIRD ANGLE PROJECTION					
DRAWN BY	DATE	CHK	SCALE	DRAWING NUMBER	SIZE
SAM	2/4/91	JAC	NONE	SHT 1 OF 1	A

X-ON Electronics

Largest Supplier of Electrical and Electronic Components

Click to view similar products for [Wire Labels & Markers](#) category:

Click to view products by [Panduit](#) manufacturer:

Other Similar products are found below :

[89078GBEST](#) [89082GBESR](#) [89082GBEST](#) [PCL025-4](#) [5761-2SF](#) [58400](#) [586R734H02](#) [M1.040.0000.6](#) [CRS-CM5M](#) [CRS-M18M](#) [CS1836-000](#) [CS8626-000](#) [CU6337-000](#) [CU6342-000](#) [CU6343-000](#) [CWD01-0](#) [CWD012-0](#) [CWD012-7](#) [CWD015-3](#) [CWD015-7](#) [CWD02-0](#) [CWD02-3](#) [CWD02-4](#) [CWD02-6](#) [CWD02-8](#) [CWD02-A](#) [CWD02-D](#) [CWD02-H](#) [CWD02-K](#) [CWD02-L](#) [CWD02-M](#) [CWD02-P](#) [CWD02-Q](#) [CWD02-R](#) [CWD02-U](#) [CWD02-W](#) [CWD02-Y](#) [CWD03-+](#) [CWD03-0](#) [CWD03-P](#) [CWD06-0](#) [CWD06-8](#) [CWD06-9](#) [CWD06-L](#) [CWD06-N](#) [CWD09-0](#) [CWD09-5](#) [CWD09-7](#) [6806810001](#) [CZ2857-000](#)