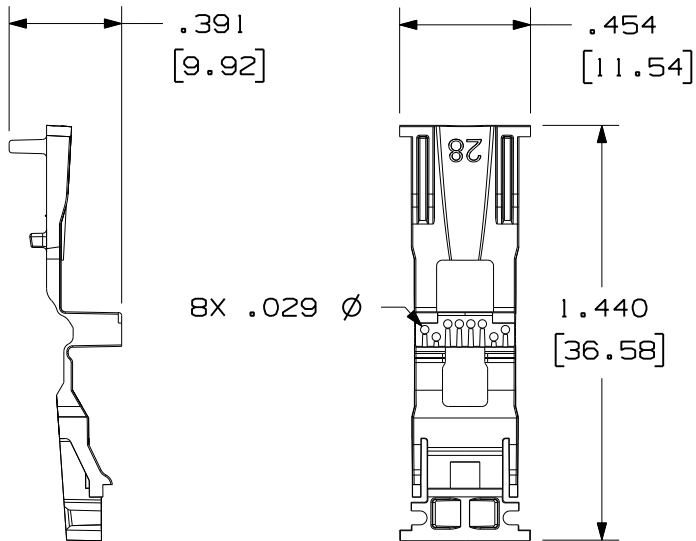


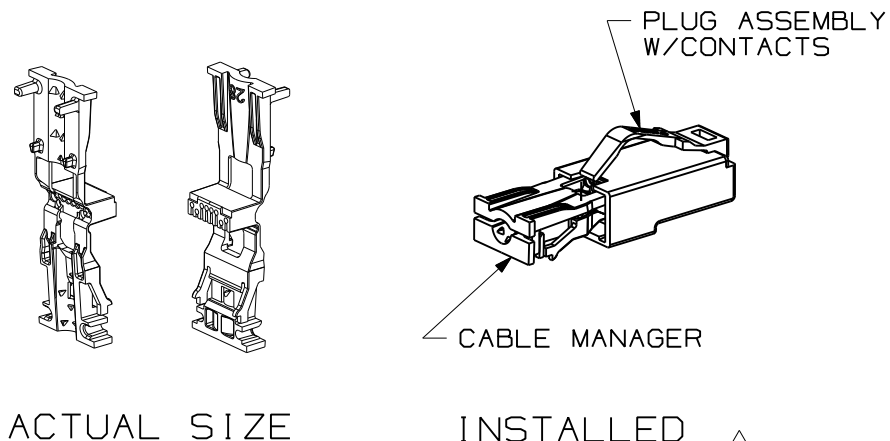
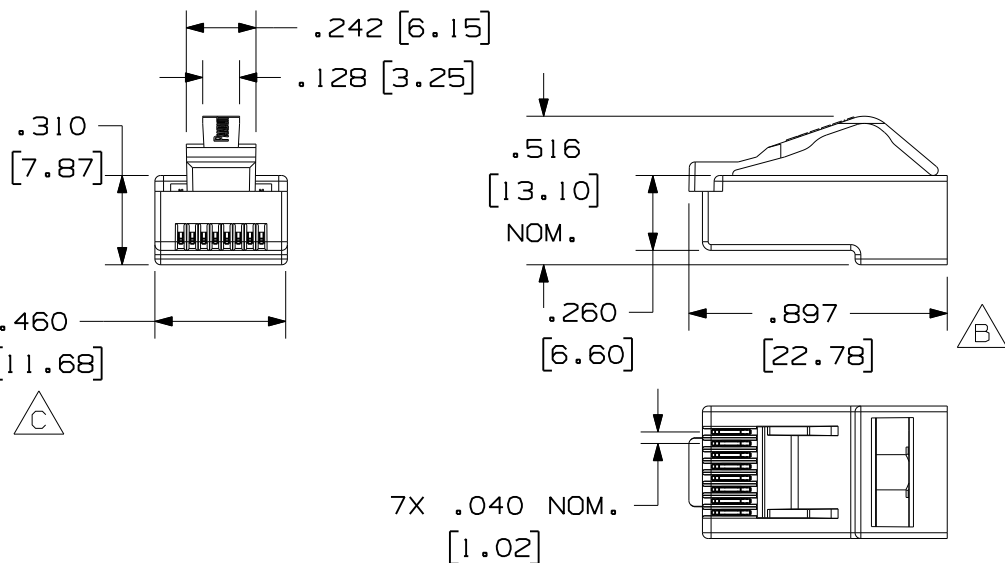
THIS COPY IS PROVIDED ON A RESTRICTED BASIS AND IS NOT TO BE USED IN ANY WAY DETRIMENTAL TO THE INTERESTS OF PANDUIT CORP.



PART NUMBER	WEIGHT (LBS)
MP528-*	.038 LB/10 PCS (17.3 g/10 PCS)

NOTES:

1. MATERIAL: HOUSING, ADAPTER - THERMOPLASTIC UL94V-0 RATED; CONTACT TERMINAL - PHOSPHOR BRONZE ELECTRO-POLISHED AND PLATED WITH .000050" MIN. GOLD IN PLATING AREA, GOLD FLASH OVER REMAINDER, .000100" MIN. NICKEL UNDERPLATE.
2. PLUG ACCEPTS 4 PAIR CABLE .140"-.160" DIAMETER WITH 28 AWG SOLID OR STRANDED CONDUCTORS WITH A MAXIMUM INSULATION DIAMETER OF .024".
3. MEETS DIMENSIONAL REQUIREMENTS OF FCC PART 68 AND IEC60603-7. ALL DIMENSIONS MAXIMUM UNLESS OTHERWISE SPECIFIED.
4. TERMINAL CONTACT HEIGHT DIMENSION: .237±.005".
5. SEE CURRENT CATALOG FOR ADDITIONAL PART NUMBER SUFFIXES TO INDICATE PACKAGE QUANTITY.



MODEL FILENAME 10M208BA/06		SIZE A
DRAWING FILENAME 10M208BA_DC02/06B		
PAN-PLUG 28AWG CATEGORY 5e MODULAR PLUGS CUSTOMER DRAWING		
 TINLEY PARK, IL 60487		I.I. NUMBER
		PRODUCT SPEC/ PKG SPEC
 THIRD ANGLE PROJECTION	ALL DIMENSIONS ARE GIVEN IN INCHES, UNLESS OTHERWISE SPECIFIED, DIMENSIONAL TOLERANCES ARE: (.X) ±.06 (.XXX) ±.010 (.XX) ±.02 ANGLES ± 1°	ASSY METHOD/ TEST METHOD
		SCALE NONE
DRAWN BY BJN	REVIEW DRAWING NUMBERS	PART NO. SEE TABLE
DATE 3-8-11	MAT'L SEE NOTE 1	DRAWING NO. 10M208BA-02
CHK'D KSM		

REV	DATE	BY	CHK	DESCRIPTION	ECN	R	CUST	SUP	OTH
2	11-16-11	BJN	KSM	C. CORRECTED WIDTH TO .460 B. ADDED OVERALL LENGTH DIM.	10M208BA-02	KSM	EJH		
1	10-10-11	BJN	WFMI	A. UPDATED MODEL TO REV 06	10M208BA-02	WFMI	EJH		
R	3-8-11	BJN	KSM	RELEASED TO PRODUCTION	10M208BA-02		SASK		

X-ON Electronics

Largest Supplier of Electrical and Electronic Components

Click to view similar products for [Modular Connectors / Ethernet Connectors](#) category:

Click to view products by [Panduit](#) manufacturer:

Other Similar products are found below :

[8949-H88/06BLKA/SN](#) [74441-0010/BKN](#) [MP1010RX-1000](#) [MP44RX-1000](#) [PHP-6P6C-5](#) [GAX-3-66](#) [GAX-8-62](#) [GDCX-PA-66-50](#) [GDCX-PN-64](#) [GDCX-PN-66](#) [GDCX-PN-66-50](#) [GDLX-A-66](#) [GDLX-N-66](#) [GDLX-S-66](#) [GDLX-S-88K](#) [GDTX-S-88-50](#) [GDX-PA-1010](#) [GLX-N-1010M-BLK](#) [GLX-S-88M-BLK](#) [GMX-N-1010](#) [GMX-S-1010](#) [GMX-S-66](#) [GMX-SMT4-N-88](#) [GPX-2-64](#) [GSGX-N-2-88](#) [GSGX-N-4-88](#) [GSX-NS2-88-3.05](#) [GSX-NS2-88-3.05-50](#) [GSX-NS-88-3.05-50](#) [PT-108A-8C-UL](#) [PT-J951-8C](#) [PTS-J531-8CS-50UL](#) [1-1775629-2](#) [A-2014-0-4](#) [GWLX-S-88-GR](#) [GWLX-S9-88-YG](#) [DC-1021-8-WH-6](#) [1300530003](#) [1324640-4](#) [RJ11FTVC2G](#) [RJ11FTVC2N](#) [RJFTVX2SA1G](#) [132764-001](#) [1413235](#) [MP88X-1000](#) [MPS88RX-5000](#) [E5288-S000K3-L](#) [E5908-15A242-L](#) [155302-001](#) [AX100653](#)