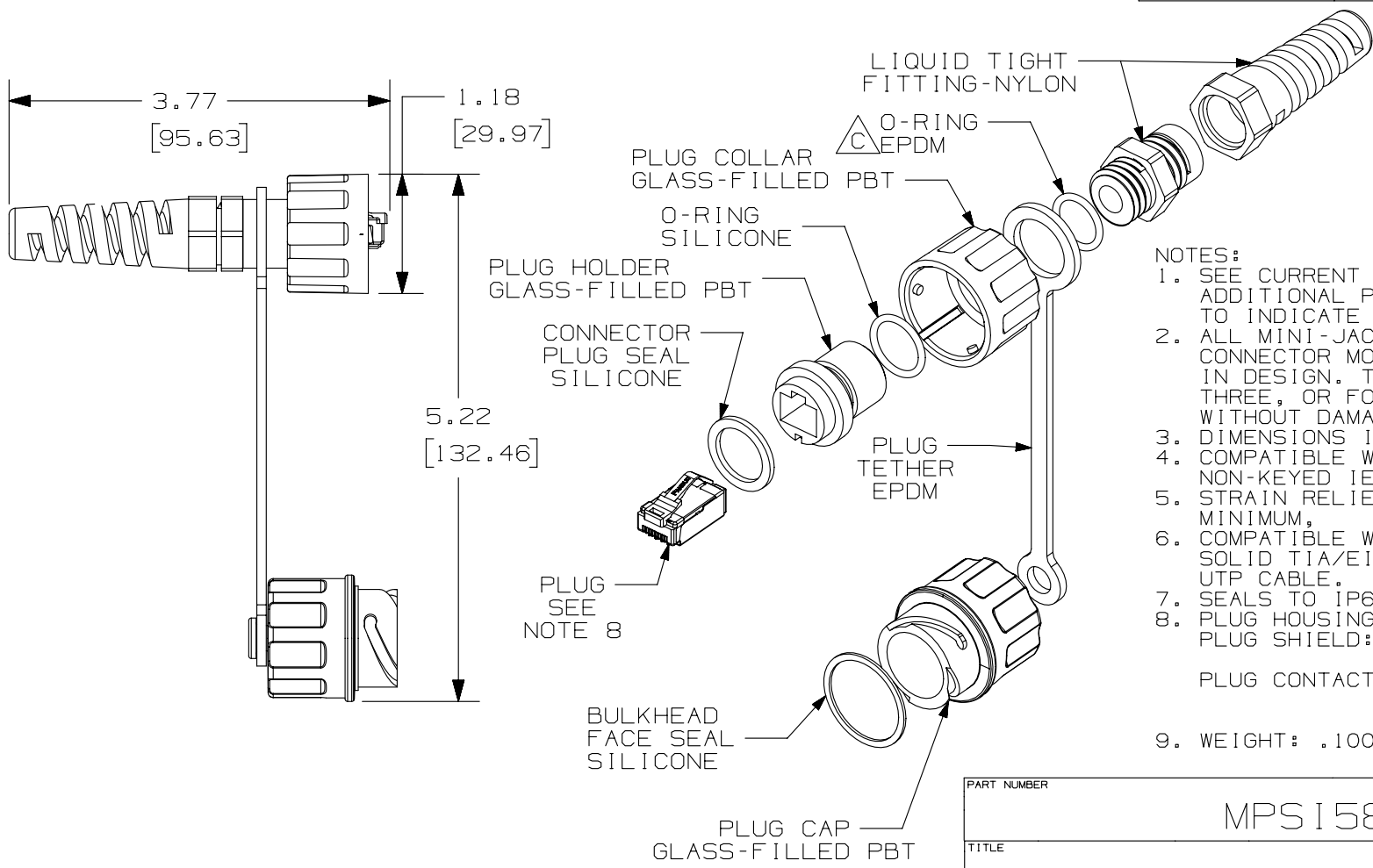


THIS COPY IS PROVIDED ON A RESTRICTED BASIS AND IS NOT TO BE USED IN ANY WAY DETRIMENTAL TO THE INTERESTS OF PANDUIT CORP.

PANDUIT P/N	WEIGHT (APPROX.)
MPSI588T	.1007 LB(45.7g) EA



- NOTES:
1. SEE CURRENT CATALOG FOR ADDITIONAL PART NUMBER SUFFIXES TO INDICATE PACKAGE QUANTITY.
  2. ALL MINI-JACK 8 POSITION, 8 WIRE CONNECTOR MODULES ARE UNIVERSAL IN DESIGN. THEY WILL ACCEPT TWO, THREE, OR FOUR PAIR MODULAR PLUGS WITHOUT DAMAGE.
  3. DIMENSIONS IN [ ] ARE METRIC.
  4. COMPATIBLE WITH 8 POSITION, NON-KEYED IEC 60603-7 PLUG.
  5. STRAIN RELIEF TO 25 LBS. MINIMUM.
  6. COMPATIBLE WITH STRANDED AND SOLID T1A/EIA 56813 COMPLIANT UTP CABLE.
  7. SEALS TO IP67.
  8. PLUG HOUSING: UL94V-0 PC  
PLUG SHIELD: CARTRIDGE BRASS, NICKEL PLATING  
PLUG CONTACT: PHOS. BRONZE, GOLD PLATING, NICKEL UNDERPLATE
  9. WEIGHT: .1007 LBS/EA

PART NUMBER		MPSI588T	
TITLE			
INDUSTRIALNET TX5E SHIELDED MODULAR PLUG			
CUSTOMER DRAWING			
ITEM REVISION NAME		M01245CE/04	
DATASET FILE NAME		M01245CE_DC23/04A	
UNLESS OTHERWISE SPECIFIED, DIMENSIONAL TOLERANCES ARE: IN [mm]		MATERIAL:	
.x ± .xxx ± .010 [ .3 ]		DRAWING NUMBER:	
.xx ± .03 [ .8 ]		01245-23	
ANGLES ±		THIRD ANGLE PROJECTION	
DRAWN BY		SCALE	
MDJR		NONE	
DATE		SHT 1 OF 1	
5-30-03		A	
CHK		SIZE	
KLR		A	

REV	DATE	BY	CHK	APR	DESCRIPTION	ECN
4	4-22-14	MDJR	REFR	GAZ	REVISED AND REDRAWN, ALL PREVIOUS REVISIONS OMITTED. A. UPDATED TITLE BLOCK.	01245-23

D10100DA/14

2

1

2

1

## X-ON Electronics

Largest Supplier of Electrical and Electronic Components

*Click to view similar products for [Modular Connectors / Ethernet Connectors](#) category:*

*Click to view products by [Panduit](#) manufacturer:*

Other Similar products are found below :

[8949-H88/06BLKA/SN](#) [74441-0010/BKN](#) [MP1010RX-1000](#) [MP44RX-1000](#) [PHP-6P6C-5](#) [GAX-3-66](#) [GAX-8-62](#) [GDCX-PA-66-50](#) [GDCX-PN-64](#) [GDCX-PN-66](#) [GDCX-PN-66-50](#) [GDLX-A-66](#) [GDLX-N-66](#) [GDLX-S-66](#) [GDLX-S-88K](#) [GDTX-S-88-50](#) [GDX-PA-1010](#) [GLX-N-1010M-BLK](#) [GLX-S-88M-BLK](#) [GMX-N-1010](#) [GMX-S-1010](#) [GMX-S-66](#) [GMX-SMT4-N-88](#) [GPX-2-64](#) [GSGX-N-2-88](#) [GSGX-N-4-88](#) [GSX-NS2-88-3.05](#) [GSX-NS2-88-3.05-50](#) [GSX-NS-88-3.05-50](#) [PT-108A-8C-UL](#) [PT-J951-8C](#) [PTS-J531-8CS-50UL](#) [1-1775629-2](#) [A-2014-0-4](#) [GWLX-S-88-GR](#) [GWLX-S9-88-YG](#) [DC-1021-8-WH-6](#) [1300530003](#) [1324640-4](#) [RJ11FTVC2G](#) [RJ11FTVC2N](#) [RJFTVX2SA1G](#) [132764-001](#) [1413235](#) [MP88X-1000](#) [MPS88RX-5000](#) [E5288-S000K3-L](#) [E5908-15A242-L](#) [155302-001](#) [AX100653](#)