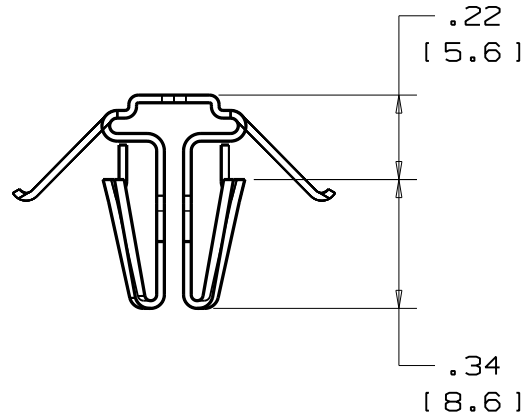
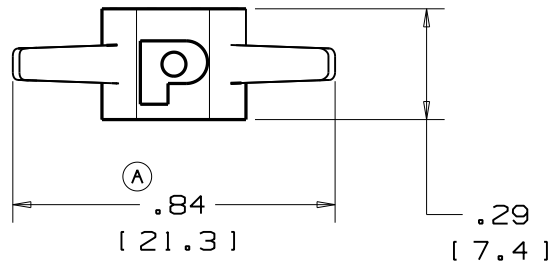


THIS COPY IS PROVIDED ON A RESTRICTED BASIS AND IS NOT TO BE USED IN ANY WAY DETRIMENTAL TO THE INTERESTS OF PANDUIT CORP.

- NOTES: 1. DIMENSIONAL TOLERANCES:
 .XX +/- .02 [.5]
 .XXX +/- .010 [.25]
2. USE WITH STD AND HVY CROSS SECTION MLTs.
3. DIMENSIONS IN BRACKETS [] ARE MILLIMETERS
4. TO BE INSTALLED IN .31 [8] DIA HOLE.
 PLATE THICKNESS TO BE .031 - .093 [0.8 - 2.4]
5. PACKAGE QTY: Q = 25



N41077BS_DC/03A

							<p style="text-align: center;">PANDUIT CORP. TINLEY PARK, ILLINOIS</p> <p style="text-align: center;">METAL PUSH WING MOUNT MPWM-H56</p>						
03A	4/09	JAMB	EJD	ORIGINAL CAD FILE SPEC & DWG NUMBER WAS S41077_02. ORIG REVS WERE 00,01,& 02. (A) DIM .84" [21.3] WAS .98" [24.9]			UNLESS OTHERWISE SPECIFIED, DIMENSIONAL TOLERANCES ARE: (.X) ± (.XXX) ± (.XX) ± ANGLES ±		UNLESS OTHERWISE SPECIFIED, ALL DIMENSIONS ARE GIVEN IN INCHES, THIRD ANGLE PROJECTION.				
02A	6/07	JAMB	SKB	UPDATED ALL MILLIMETER DIMENSIONS IN BRACKETS []							SS00369	-	-
01A	1/01	KMD	JAC	ADDED NOTE 5 CAD FILE SPEC WAS N41077SA_PCD_00			01378	LA	GP	DRAWN BY BJO	MAT'L:	SCALE 2X	
00A	11/92	BO	JAC	RELEASED			01265	LA	GP	DATE 11/11/92	304 STAINLESS STEEL	DRAWING NO. N41077BS_DC	DWG A SIZE
REV	DATE	BY	CHK	DESCRIPTION			ECN #	CUST	PM	CHK'D	JAC		

X-ON Electronics

Largest Supplier of Electrical and Electronic Components

Click to view similar products for [Cable Tie Mounts](#) category:

Click to view products by [Panduit](#) manufacturer:

Other Similar products are found below :

[3-350087-0](#) [CTB75X75BKA-C](#) [561-EZAB580T](#) [561-EZS375B40](#) [561-TA250125](#) [08443-0](#) [10035-0](#) [561-TA00600](#) [1689174-1](#) [08445-0](#)
[10351-0](#) [561-TA250125B](#) [20015-0](#) [10350-0](#) [10029-0](#) [08484-0](#) [08446-0](#) [08318-0](#) [PAM075NY-A-C](#) [MTH1-3](#) [10044](#) [151-01802](#) [151-11319](#)
[151-11819](#) [PLWP1SB-D](#) [PLWP1M-C](#) [PLWP2SA-D](#) [PLWP2SB-D](#) [PLWP2S-C](#) [PLWP1S-D](#) [PLWP1M-D](#) [TA1S8-C](#) [ABM3H-A-L](#) [ABM3H-](#)
[AT-T0](#) [EMS-A-C0](#) [EMSK3-1-3-0](#) [10079](#) [10030](#) [151-10930](#) [151-10920](#) [3590](#) [151-28320](#) [151-28349](#) [151-28530](#) [151-10914](#) [151-10904](#) [151-](#)
[10915](#) [151-10916](#) [151-10906](#) [115-06960](#)