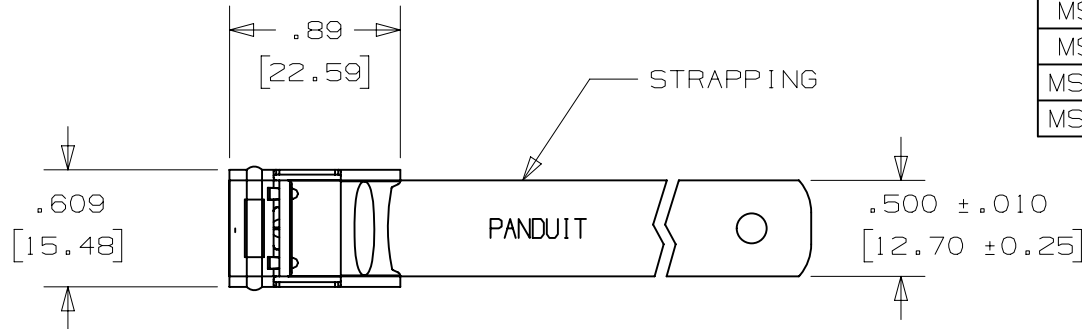


THIS COPY IS PROVIDED ON A RESTRICTED BASIS AND IS NOT TO BE USED IN ANY WAY DETRIMENTAL TO THE INTERESTS OF PANDUIT CORP.

| PART NO. | MATERIAL | MAX. BUNDLE DIA [mm] | LENGTH ±.1 (2) |
|---------------|----------|------------------------|----------------|
| MS4W50T15-L4 | 304 | 4" [102] | 18.0" [457] |
| MS4W50T15-L6 | 316 | | |
| MS6W50T15-L4 | 304 | 6" [152] | 24.4" [620] |
| MS6W50T15-L6 | 316 | | |
| MS8W50T15-L4 | 304 | 8" [203] | 30.7" [780] |
| MS8W50T15-L6 | 316 | | |
| MS10W50T15-L4 | 304 | 10" [254] | 37.0" [940] |
| MS10W50T15-L6 | 316 | | |

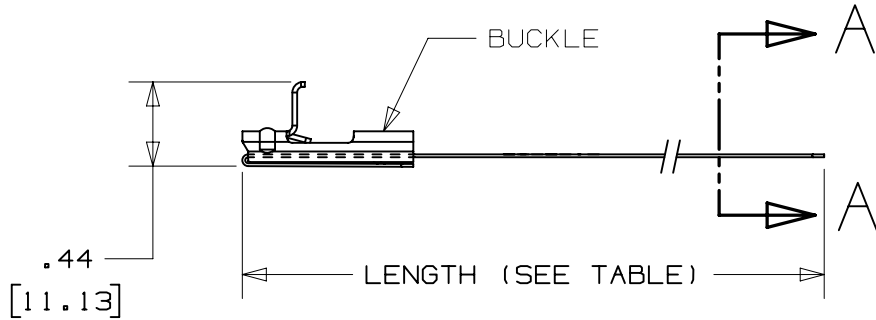


AISI #1 EDGES TO ELIMINATE SHARP EDGES



NOTES:

1. APPLICATION TOOLS: BT2MS75, BT2HT
2. ALL DIMENSIONS IN BRACKETS [] ARE MILLIMETERS.
3. FOR MATERIAL SEE TABLE.
4. TOLERANCES (UNLESS OTHERWISE SPECIFIED):
 .X ± .03 [.8]
 .XX ± .02 [.5]
 .XXX ± .01 [.25]



| REV | DATE | BY | CHK | APR | DESCRIPTION | ECN |
|-----|----------|-----|-----|------|--------------------------------|-------------|
| 3 | 02.24.15 | BDK | SKB | RGR0 | UPDATED TITLE BLOCK AND BORDER | N41151BS_DC |

| | | | | |
|---|----------------------|--|-----------------------------|------|
| TITLE | | METAL STRAPPING .500 [12.70] WIDE | | |
| CUSTOMER DRAWING | | | | |
| ITEM REVISION NAME | N41151BS/02 | | | |
| DATASET FILE NAME | N41151BS_DC/02A | | | |
| UNLESS OTHERWISE SPECIFIED, DIMENSIONAL TOLERANCES ARE: IN [mm] | MATERIAL: SEE NOTES | | | |
| .x ± .1 [2.54] | .xxx ± .005 [.127] | | DRAWING NUMBER: N41151BS_DC | |
| .xx ± .01 [.25] | ANGLES ± 5 ° | | THIRD ANGLE PROJECTION | |
| DRAWN BY | DATE | CHK | SCALE | SIZE |
| BRH | 9/23 | EJD | FULL | A |
| SHT 1 OF 1 | | | | |

D10100DA/16

X-ON Electronics

Largest Supplier of Electrical and Electronic Components

Click to view similar products for [Cable Ties](#) category:

Click to view products by [Panduit](#) manufacturer:

Other Similar products are found below :

[20093-0](#) [SJ-3463](#) [SJ3518FR-1x50](#) [SJ3526N-Beige-2"x50yd](#) [SJ3526N BLACK 58" X 50YD](#) [SJ3571](#) [SJ-3571-1"x50yd-Black](#) [20113-0](#)
[T56137](#) [3-350087-0](#) [CTB75X75BKA-C](#) [3722](#) [561-B110120](#) [561-EZAB580T](#) [561-EZS375B40](#) [561-N3510](#) [561-TA250125](#) [08350-0](#) [08443-0](#)
[08600-0](#) [10035-0](#) [10036-0](#) [10037-0](#) [10325-0](#) [10362-0](#) [10606-0](#) [561-EZ250](#) [561-EZ500](#) [561-EZ625](#) [561-EZ750](#) [561-TA00600](#) [SJ3519FR](#)
[BLACK 1X50](#) [SJ3527N-Beige-2"x50yd](#) [SJ3527N-LOOP-BLACK-1](#) [SJ3572-2"x50yd-Black](#) [157-00039](#) [3719](#) [SJ-3401 BLACK 1"](#) [08445-0](#)
[08582-0](#) [08386-0](#) [10431-0](#) [08359-0](#) [10056-0](#) [10620-0](#) [10345-0](#) [10344-0](#) [08416-0](#) [08384-0](#) [08401-0](#)