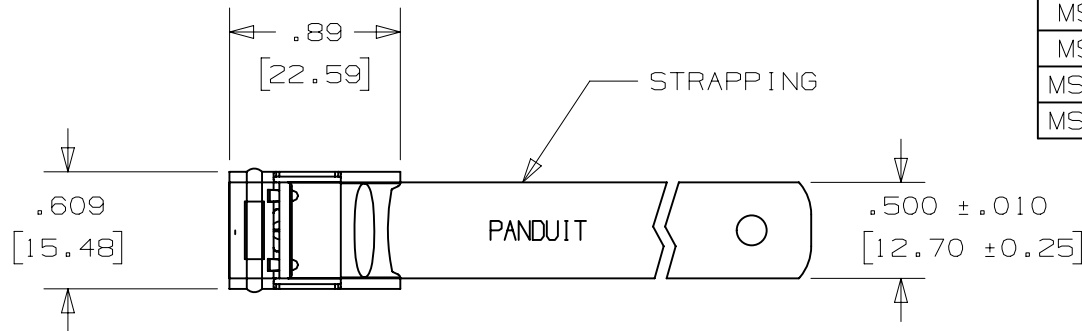
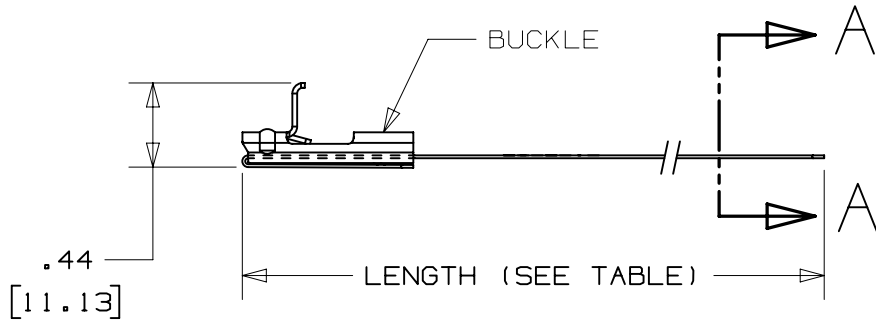


THIS COPY IS PROVIDED ON A RESTRICTED BASIS AND IS NOT TO BE USED IN ANY WAY DETRIMENTAL TO THE INTERESTS OF PANDUIT CORP.

| PART NO. | MATERIAL | MAX. BUNDLE DIA [mm] | LENGTH ±.1 (2) |
|---------------|----------|------------------------|----------------|
| MS4W50T15-L4 | 304 | 4" [102] | 18.0" [457] |
| MS4W50T15-L6 | 316 | | |
| MS6W50T15-L4 | 304 | 6" [152] | 24.4" [620] |
| MS6W50T15-L6 | 316 | | |
| MS8W50T15-L4 | 304 | 8" [203] | 30.7" [780] |
| MS8W50T15-L6 | 316 | | |
| MS10W50T15-L4 | 304 | 10" [254] | 37.0" [940] |
| MS10W50T15-L6 | 316 | | |



AISI #1 EDGES TO ELIMINATE SHARP EDGES



NOTES:

1. APPLICATION TOOLS: BT2MS75, BT2HT
2. ALL DIMENSIONS IN BRACKETS [] ARE MILLIMETERS.
3. FOR MATERIAL SEE TABLE.
4. TOLERANCES (UNLESS OTHERWISE SPECIFIED):
 .X ± .03 [.8]
 .XX ± .02 [.5]
 .XXX ± .01 [.25]

| REV | DATE | BY | CHK | APR | DESCRIPTION | ECN |
|-----|----------|-----|-----|------|--------------------------------|-------------|
| 3 | 02.24.15 | BDK | SKB | RGR0 | UPDATED TITLE BLOCK AND BORDER | N41151BS_DC |

| | | | |
|---|------------|---------------------------------------|------------|
| TITLE METAL STRAPPING .500 [12.70] WIDE | | CUSTOMER DRAWING | |
| ITEM REVISION NAME N41151BS/02 | | PANDUIT | |
| DATASET FILE NAME N41151BS_DC/02A | | | |
| UNLESS OTHERWISE SPECIFIED, DIMENSIONAL TOLERANCES ARE: IN [mm] .x ± .1 [2.54] .xxx ± .005 [.127] .xx ± .01 [.25] ANGLES ± 5 ° | | MATERIAL: SEE NOTES | |
| DRAWN BY BRH | | DRAWING NUMBER: N41151BS_DC | |
| DATE 9/23 | CHK EJD | SCALE FULL | SHT 1 OF 1 |
| THIRD ANGLE PROJECTION | | SIZE A | |

D10100DA/16

X-ON Electronics

Largest Supplier of Electrical and Electronic Components

Click to view similar products for [Cable Ties](#) category:

Click to view products by [Panduit](#) manufacturer:

Other Similar products are found below :

[65037-C](#) [770-1751-10](#) [REL50L0C2](#) [20093-0](#) [SF600-120X](#) [SJ3518FR-1x50](#) [SJ3526N-Beige-2"x50yd](#) [SJ3526N BLACK 58" X 50YD](#) [SJ3571](#)
[SJ-3571-1"x50yd-Black](#) [PLT2S-C4](#) [34-455-C](#) [3722](#) [561-B110120](#) [561-N3510](#) [TYZ528M](#) [34-463-C](#) [URT20S-M](#) [06226](#) [08350-0](#) [08600-0](#)
[08376-0](#) [10037-0](#) [10325-0](#) [10362-0](#) [10606-0](#) [1122-4JW8](#) [561-EZ250](#) [561-EZ625](#) [SJ3527N-Beige-2"x50yd](#) [SJ3527N-LOOP-BLACK-1](#)
[SJ3572-2"x50yd-Black](#) [CF5625-000](#) [65004-C](#) [65005-C](#) [65007-C](#) [65036-C](#) [157-00039](#) [770-1708](#) [770-1753-10](#) [770-1752](#) [SPNY-041-9](#)
[SF400-120X](#) [3719](#) [08582-0](#) [08386-0](#) [10431-0](#) [08359-0](#) [10620-0](#) [10345-0](#)