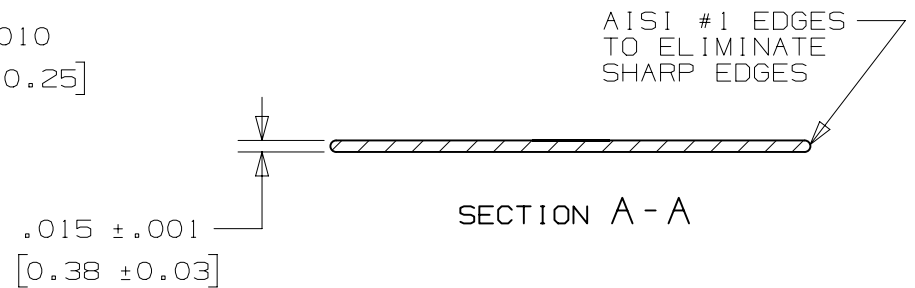
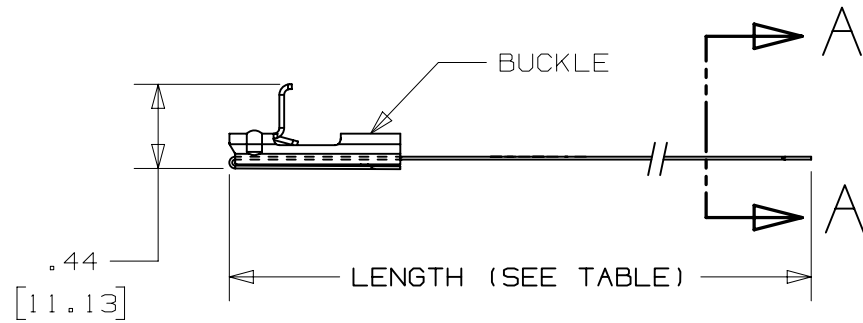
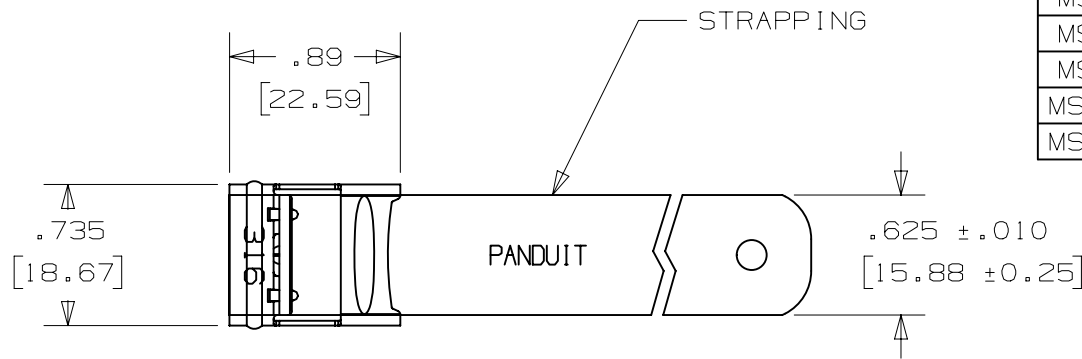


THIS COPY IS PROVIDED ON A RESTRICTED BASIS AND IS NOT TO BE USED IN ANY WAY DETRIMENTAL TO THE INTERESTS OF PANDUIT CORP.

PART NO.	MATERIAL	MAX. BUNDLE DIA [mm]	LENGTH ±.1 [2]
MS4W63T15-L4	304	4" [102]	18.0" [457]
MS4W63T15-L6	316		
MS6W63T15-L4	304	6" [152]	24.4" [620]
MS6W63T15-L6	316		
MS8W63T15-L4	304	8" [203]	30.7" [780]
MS8W63T15-L6	316		
MS10W63T15-L4	304	10" [254]	37.0" [940]
MS10W63T15-L6	316		



- NOTES: 1. APPLICATION TOOLS: BT2MS75, BT2HT
 2. ALL DIMENSIONS IN [] ARE mm.
 3. FOR MATERIAL SEE TABLE.
 4. TOLERANCES (UNLESS OTHERWISE SPECIFIED):
 .X ± .03 [.8]
 .XX ± .02 [.5]
 .XXX ± .010 [.25]

REV	DATE	BY	CHK	APR	DESCRIPTION	ECN
3	02.24.15	BDK	SKB	RGRO	UPDATED TITLE BLOCK AND BORDER	N41152BS_DC

TITLE		METAL STRAPPING .625 [15.88] WIDE		
CUSTOMER DRAWING				
ITEM REVISION NAME	N41152BS/03		PANDUIT	
DATASET FILE NAME	N41152BS/03			
UNLESS OTHERWISE SPECIFIED, DIMENSIONAL TOLERANCES ARE: IN [mm]			MATERIAL:	
.x ± .1 [2.54] .xxx ± .005 [.127]			SEE NOTES	
.xx ± .01 [.25] ANGLES ± 5 °			DRAWING NUMBER:	
			N41152BS_DC	
DRAWN BY	DATE	CHK	SCALE	SIZE
BRH	9/03	EJD	FULL	A
SHT 1 OF 1				

X-ON Electronics

Largest Supplier of Electrical and Electronic Components

Click to view similar products for [Cable Ties](#) category:

Click to view products by [Panduit](#) manufacturer:

Other Similar products are found below :

[65037-C](#) [770-1751-10](#) [REL50L0C2](#) [20093-0](#) [SF600-120X](#) [SJ3518FR-1x50](#) [SJ3526N-Beige-2"x50yd](#) [SJ3526N BLACK 58" X 50YD](#) [SJ3571](#)
[SJ-3571-1"x50yd-Black](#) [PLT2S-C4](#) [34-455-C](#) [3722](#) [561-B110120](#) [561-N3510](#) [TYZ528M](#) [34-463-C](#) [URT20S-M](#) [06226](#) [08350-0](#) [08600-0](#)
[08376-0](#) [10037-0](#) [10325-0](#) [10362-0](#) [10606-0](#) [1122-4JW8](#) [561-EZ250](#) [561-EZ625](#) [SJ3527N-Beige-2"x50yd](#) [SJ3527N-LOOP-BLACK-1](#)
[SJ3572-2"x50yd-Black](#) [CF5625-000](#) [65004-C](#) [65005-C](#) [65007-C](#) [65036-C](#) [157-00039](#) [770-1708](#) [770-1753-10](#) [770-1752](#) [SPNY-041-9](#)
[SF400-120X](#) [3719](#) [08582-0](#) [08386-0](#) [10431-0](#) [08359-0](#) [10620-0](#) [10345-0](#)