

Media Distribution Data Hub

specifications

Data hub shall deliver media and data service to up to six different locations. Data hub shall offer Category 6 or 5e performance to support applications that require additional bandwidth. Data hub shall offer 110 punchdown terminations for high-performance capability. Punchdowns shall also be positioned on front of hub for easy access to terminations within the enclosure. Data hub shall offer stackability to enable expansion within the enclosure with quick installation features for easy moves, adds, and changes.



technical information

Mounting:	Snaps onto custom 1-inch grid pattern within the enclosure and allows stackability for greater expansion density
Compliance:	1RoHS, ANSI/TIA 570-B Residential Wiring Standard, cULus, and UL

key features and benefits

Multi-media patching	Patches the router/switch to deliver media and data service to different locations offering convenience and system flexibility
Category 6 or Category 5e performance	Enables multimedia capabilities for voice and data that require additional bandwidth
Front 110 punchdown	Designed with front-side 110 punchdown terminations in a protected PCB module that allows for fast and effective terminations and easy access to high-performance connections within the enclosure
Cable mounts	Secure cables connected to hub for management and organization within the enclosure
Stackability	Mounts on top of one another to maximize enclosure space and offer easy expansion for additional drops
Snap-in installation	Snaps directly onto custom 1-inch grid pattern to simplify installations and allow easy moves, adds, and changes

applications

The Panduit Media Distribution System is a complete structured cabling solution for residential and commercial deployments that cost-effectively delivers emerging communication and video entertainment connectivity into individual location enclosures. Using customizable and stackable hubs installed within the enclosure, the media distribution system provides voice, video and data applications (commonly referred to as triple-play services) throughout a home or office.

Modularity with Panduit products allows the Media Distribution System to service an entire network infrastructure from the building demarcation point to the end user's network outlet.

The Media Distribution Data Hubs deliver patching of multimedia capabilities to over six different locations within a residence or small business, using front-side 110 punchdown terminations for high performance connectivity.

Data Hub

Category 6:	MS66PP
Category 5e:	MS5E6PP

Advanced System Enclosures

(Base and hinged door sold separately.)

14" base:	MS14B
24" base	MS24B
14" hinged door with frame:	MS14HD
24" hinged door with frame:	MS24HD
14" frameless hinged door:	MS14BHD
24" frameless hinged door:	MS24BHD

Basic System Enclosures

(Includes base and screw down door.)

14":	MSB14E
24":	MSB24E

Voice (Phone) Hubs

Distribution hub:	MS8PD
Expansion hub:	MS8PE

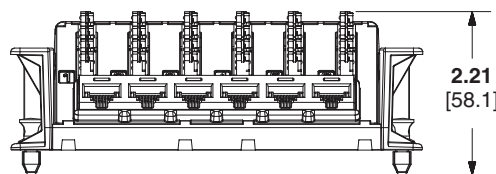
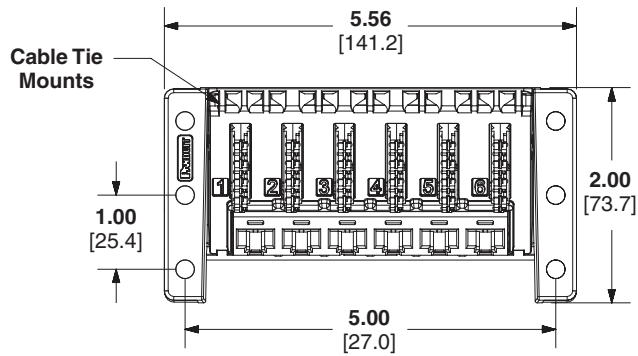
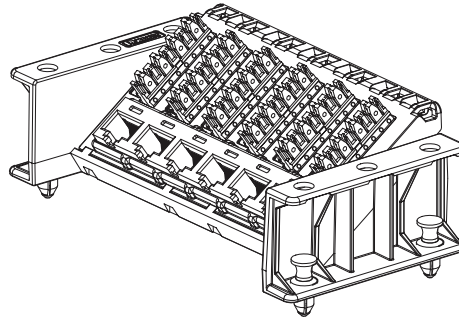
Video Splitters

1 x 4 passive 1GHz:	MS4S1G
1 x 8 passive 1GHz:	MS8S1G
1 x 4 passive 2GHz:	MS4S2G
1 x 8 passive 2GHz:	MS8S2G

Accessories

Equipment bracket:	MSEBRKT
Modular patch panel:	MS8PP
Cable management ring:	MSCMR
Cable management kit:	MSCM-KIT
Grounding kit:	MSGRD-KIT
Lock for frameless hinged door:	MSCLK

Media Distribution Data Hub



Dimensions are in inches. [Dimensions in brackets are metric].

WORLDWIDE SUBSIDIARIES AND SALES OFFICES

PANDUIT CANADA
Markham, Ontario
cs-cdn@panduit.com
Phone: 800.777.3300

PANDUIT EUROPE LTD.
London, UK
cs-emea@panduit.com
Phone: 44.20.8601.7200

PANDUIT SINGAPORE PTE. LTD.
Republic of Singapore
cs-ap@panduit.com
Phone: 65.6305.7575

PANDUIT JAPAN
Tokyo, Japan
cs-japan@panduit.com
Phone: 81.3.6863.6000

PANDUIT LATIN AMERICA
Guadalajara, Mexico
cs-la@panduit.com
Phone: 52.33.3777.6000

PANDUIT AUSTRALIA PTY. LTD.
Victoria, Australia
cs-aus@panduit.com
Phone: 61.3.9794.9020

For a copy of Panduit product warranties, log on to www.panduit.com/warranty

For more information

Visit us at www.panduit.com

Contact Customer Service by email: cs@panduit.com
or by phone: 800.777.3300

©2014 Panduit Corp.
ALL RIGHTS RESERVED.
OTSP37--WW-ENG
Replaces WW-OTSP08
3/2014

X-ON Electronics

Largest Supplier of Electrical and Electronic Components

Click to view similar products for [Racks & Rack Cabinet Accessories](#) category:

Click to view products by [Panduit](#) manufacturer:

Other Similar products are found below :

[M00-PLN](#) [F2424](#) [8351-832-A-24](#) [9104](#) [9105](#) [PLFF2000](#) [H-9163-B](#) [1427C3](#) [HTS10](#) [PC-79](#) [SC10-3A](#) [SC4-28](#) [CG3-340S/12](#) [CP-001BK](#)
[M6123-4007-SS](#) [AX61400TB](#) [TS170](#) [LP40](#) [5261304-07](#) [CG3-160G](#) [7112C-PLN](#) [ALUM](#) [CM10](#) [8610-3124-S-26](#) [TS81](#) [7142](#) [GP134](#)
[M6125-4007-A-24](#) [M6127-4007-SS](#) [PBCOVER](#) [512](#) [AEG-4000G](#) [AEG-3000G](#) [HD99](#) [SR2-66A2](#) [FP10B4HP-1](#) [FP52-2](#) [1406-1006-01](#)
[29478](#) [TS2535](#) [TS169-6](#) [CAC2](#) [HA19-3U](#) [BR-19-10-1](#) [TS180](#) [CG3-ESD](#) [SC11-1](#) [CFS-1.00/2.20](#) [AX6145WM](#) [HEC0800PB](#) [ZC633R](#)