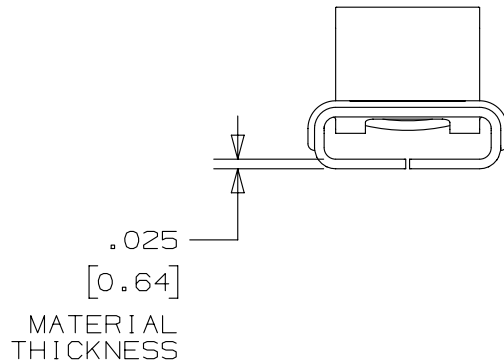
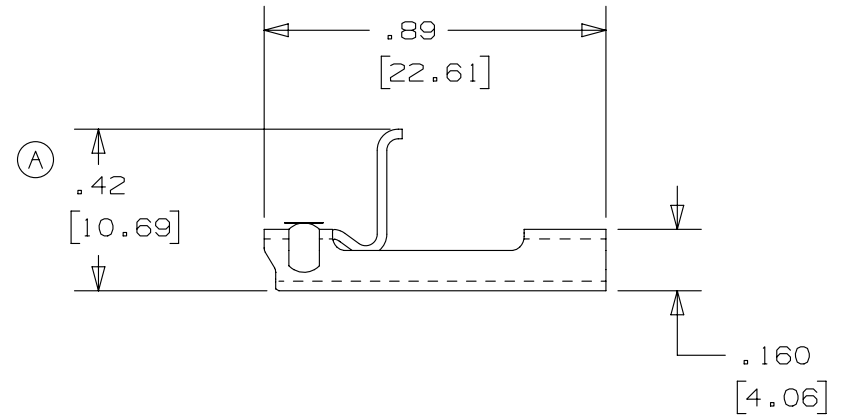
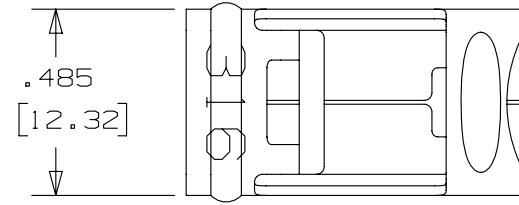


THIS COPY IS PROVIDED ON A RESTRICTED BASIS AND IS NOT TO BE USED IN ANY WAY DETRIMENTAL TO THE INTERESTS OF PANDUIT CORP.

ⓑ

- NOTES: 1. FOR USE WITH PANDUIT, MSW38T15-CR4 & MSW38T15-CR6 CONTINUOUS STRAPPING.
2. APPLICATION TOOL: BT2MS75, BT2HT
3. DIMENSIONS IN BRACKETS [ ] ARE IN MILLIMETERS
4. UNLESS OTHERWISE SPECIFIED TOLERANCES ARE:  
 .XX = ±.02 [ .5 ]  
 .XXX = ±.010 [ .25 ]
5. MATERIAL: 304 OR 316 STAINLESS STEEL



REV	DATE	BY	CHK	APR	DESCRIPTION	ECN
04A	3/13	JAMB	MIM	RGRO	UPDATE DRAWING TO NEW GLOBAL PANDUIT TITLE BLOCK WITH PANDUIT LOGO	SSECN01042
03A	10/08	JAMB	SKB	JJB	ORIG CAD FILE SPEC WAS S41147_03. NOTE 2: APPLICATION TOOL BT1HT REPLACED BY BT2HT	-----
03	10/04	JAMB	EJD	JJB	Ⓒ STRAPPING PART NO'S. IN TITLE BLOCK CHANGED TO BUCKLE PART NO'S. DUE TO A TYPING ERROR	12067
02	9/04	JAMB	EJD	JJB	ⓑ VOIDED PART NO'S. MS375X15-TSR & MS375X15-TSR316 & REPLACED BY PART NO'S. MSW38T15-CR4 & MSW38T15-CR6 ON NOTE 1	12052
01	3/04	BRH	EJD	JJB	Ⓐ CHANGED TO .42", WAS .43"	11500
00	9/03	BRH	EJD	JJB	DRAWING RELEASED	11154

TITLE <b>.375 in [9.52] ENHANCED METAL STRAPPING BUCKLE</b> Ⓒ <b>MSBW38-C4 &amp; MSBW38-C6</b>			
CUSTOMER DRAWING			
ITEM REVISION NAME <b>N41147BS/04</b>		<b>PANDUIT</b>	
DATASET FILE NAME <b>N41147BS_DC/04A</b>			
UNLESS OTHERWISE SPECIFIED, DIMENSIONAL TOLERANCES ARE: IN [mm] .x ± .1 [ 2.54 ]      .xxx ± .005 [ .127 ] .xx ± .01 [ .25 ]      ANGLES ± 5 °		MATERIAL: <b>SEE NOTES</b>	
THIRD ANGLE PROJECTION		DRAWING NUMBER: <b>N41147BS_DC</b>	
DRAWN BY <b>BRH</b>	DATE <b>9/03</b>	CHK <b>EJD</b>	SCALE <b>2:1</b>
SHT 1 OF 1		SIZE <b>A</b>	

## X-ON Electronics

Largest Supplier of Electrical and Electronic Components

*Click to view similar products for [Cable Ties](#) category:*

*Click to view products by [Panduit](#) manufacturer:*

Other Similar products are found below :

[65037-C](#) [770-1751-10](#) [REL50L0C2](#) [20093-0](#) [SF600-120X](#) [SJ3518FR-1x50](#) [SJ3526N-Beige-2"x50yd](#) [SJ3526N BLACK 58" X 50YD](#) [SJ3571](#)  
[SJ-3571-1"x50yd-Black](#) [PLT2S-C4](#) [34-455-C](#) [3722](#) [561-B110120](#) [561-N3510](#) [TYZ528M](#) [34-463-C](#) [URT20S-M](#) [06226](#) [08350-0](#) [08600-0](#)  
[08376-0](#) [10037-0](#) [10325-0](#) [10362-0](#) [10606-0](#) [1122-4JW8](#) [561-EZ250](#) [561-EZ625](#) [SJ3527N-Beige-2"x50yd](#) [SJ3527N-LOOP-BLACK-1](#)  
[SJ3572-2"x50yd-Black](#) [CF5625-000](#) [65004-C](#) [65005-C](#) [65007-C](#) [65036-C](#) [157-00039](#) [770-1708](#) [770-1753-10](#) [770-1752](#) [SPNY-041-9](#)  
[SF400-120X](#) [3719](#) [08582-0](#) [08386-0](#) [10431-0](#) [08359-0](#) [10620-0](#) [10345-0](#)