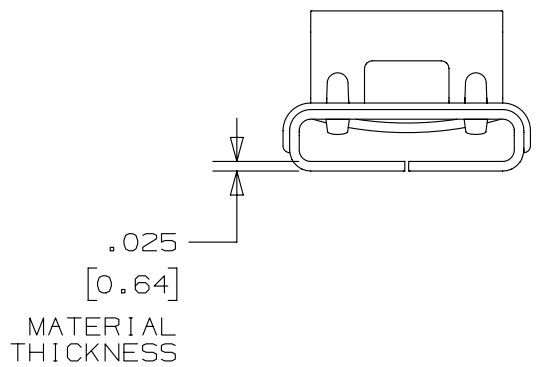
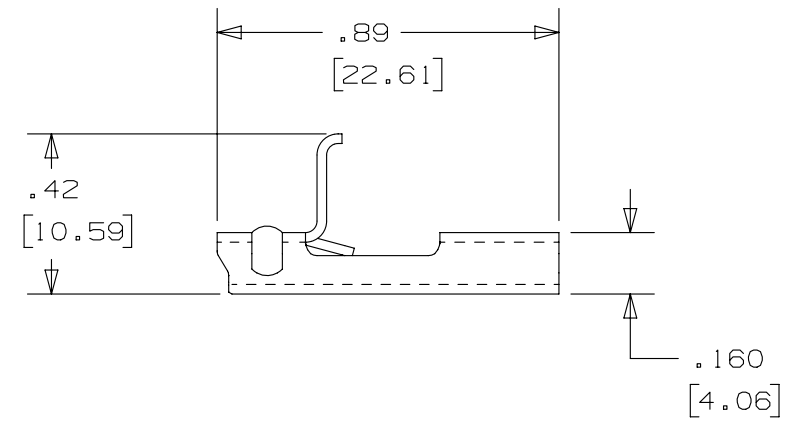
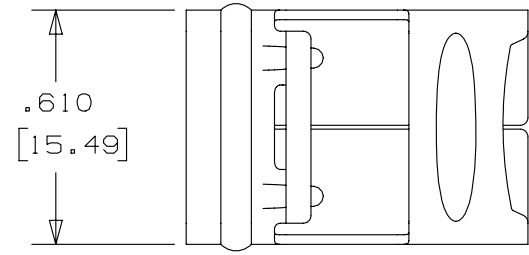


THIS COPY IS PROVIDED ON A RESTRICTED BASIS AND IS NOT TO BE USED IN ANY WAY DETRIMENTAL TO THE INTERESTS OF PANDUIT CORP.

- NOTES: 1. FOR USE WITH PANDUIT MSW50T15-CR4 & MSW50T15-CR6 CONTINUOUS STRAPPING. ^(A)
2. APPLICATION TOOL: BT2MS75, BT2HT
3. DIMENSIONS IN BRACKETS [] ARE IN MILLIMETERS
4. UNLESS OTHERWISE SPECIFIED TOLERANCES ARE:
 .XX = ±.02 [.5]
 .XXX = ±.010 [.25]
5. MATERIAL: 304 OR 316 STAINLESS STEEL



REV	DATE	BY	CHK	APR	DESCRIPTION	ECN
03A	3/13	JAMB	MIM	RGRO	UPDATED DRAWING TO NEW GLOBAL PANDUIT TITLE BLOCK WITH PANDUIT LOGO	SSECN01042
02A	10/08	JAMB	SKB	---	ORIG CAD FILE SPEC WAS S41148_02. NOTE 2: APPLICATION TOOL BT1HT REPLACED BY BT2HT	-----
02	10/04	JAMB	EJD	JJB	Ⓢ STRAPPING PART NO'S. IN TITLE BLOCK CHANGED TO BUCKLE PART NO'S., DUE TO TYPING ERROR	12067
01	9/04	JAMB	EJD	JJB	Ⓢ VOIDED PART NO'S. MS500X15-TSR & MS500X15-TSR316 & REPLACED BY PART NO'S. MSW50T15-CR4 & MSW50T15-CR6 ON NOTE 1	12052
00	9/03	BRH	EJD	JJB	DRAWING RELEASED	11154

TITLE .500 in [12.70] ENHANCED METAL STRAPPING BUCKLE Ⓢ MSBW50-C4 & MSBW50-C6			
CUSTOMER DRAWING			
ITEM REVISION NAME N41148BS/03		PANDUIT	
DATASET FILE NAME N41148BS_DC/03A			
UNLESS OTHERWISE SPECIFIED, DIMENSIONAL TOLERANCES ARE: IN [mm]		MATERIAL: SEE NOTES	
.x ± .1 [2.54] .xxx ± .005 [.127] .xx ± .01 [.25] ANGLES ± 5 °		DRAWING NUMBER: N41148BS_DC	
THIRD ANGLE PROJECTION		DRAWN BY: BRH DATE: 9/03 CHK: EJD SCALE: 2:1	
SHT 1 OF 1		SIZE: A	

X-ON Electronics

Largest Supplier of Electrical and Electronic Components

Click to view similar products for [Cable Ties](#) category:

Click to view products by [Panduit](#) manufacturer:

Other Similar products are found below :

[65037-C](#) [770-1751-10](#) [REL50L0C2](#) [20093-0](#) [SF600-120X](#) [SJ3518FR-1x50](#) [SJ3526N-Beige-2"x50yd](#) [SJ3526N BLACK 58" X 50YD](#) [SJ3571](#)
[SJ-3571-1"x50yd-Black](#) [PLT2S-C4](#) [34-455-C](#) [3722](#) [561-B110120](#) [561-N3510](#) [TYZ528M](#) [34-463-C](#) [URT20S-M](#) [06226](#) [08350-0](#) [08600-0](#)
[08376-0](#) [10037-0](#) [10325-0](#) [10362-0](#) [10606-0](#) [1122-4JW8](#) [561-EZ250](#) [561-EZ625](#) [SJ3527N-Beige-2"x50yd](#) [SJ3527N-LOOP-BLACK-1](#)
[SJ3572-2"x50yd-Black](#) [CF5625-000](#) [65004-C](#) [65005-C](#) [65007-C](#) [65036-C](#) [157-00039](#) [770-1708](#) [770-1753-10](#) [770-1752](#) [SPNY-041-9](#)
[SF400-120X](#) [3719](#) [08582-0](#) [08386-0](#) [10431-0](#) [08359-0](#) [10620-0](#) [10345-0](#)