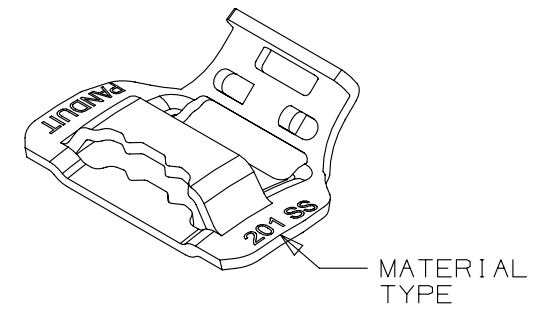
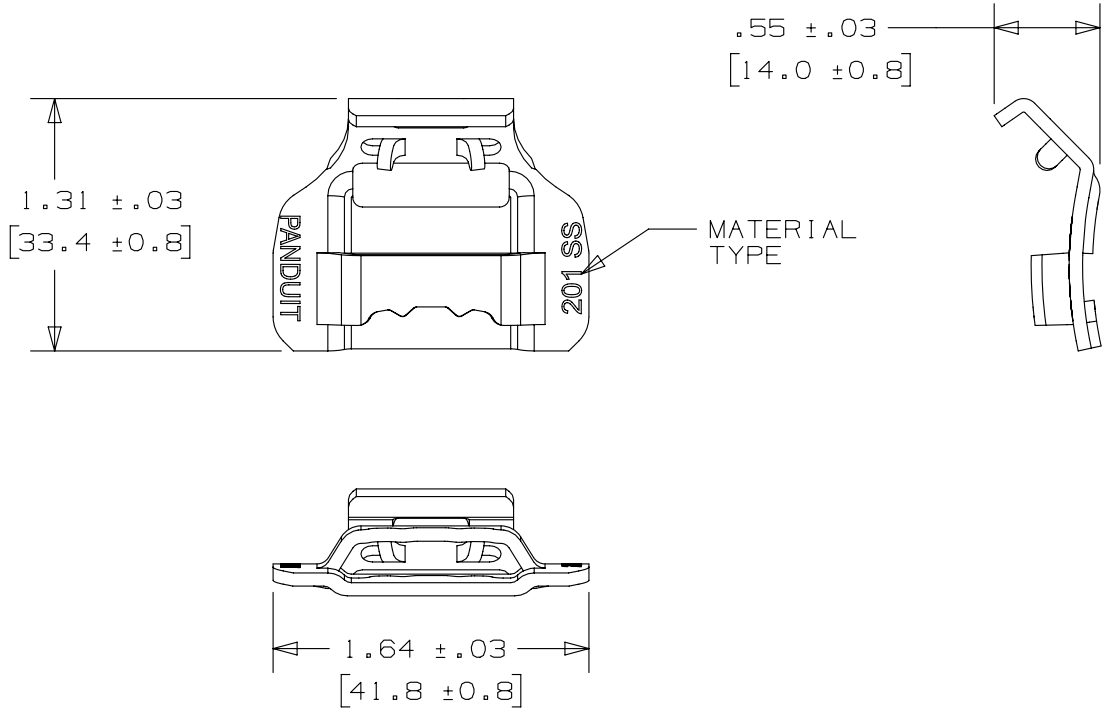


THIS COPY IS PROVIDED ON A RESTRICTED BASIS AND IS NOT TO BE USED IN ANY WAY DETRIMENTAL TO THE INTERESTS OF PANDUIT CORP.



ISOMETRIC VIEW
SHOWN FOR
REFERENCE ONLY

- NOTES:
 1. APPLICATION TOOLS: BT75SDT
 2. BRACKETS [] DENOTES DIMENSIONS ARE IN MILLIMETERS AND ARE FOR REFERENCE ONLY
 3. MATERIAL: STAINLESS STEEL
 4. MATERIAL THICKNESS: .070 ± .005

PANDUIT PART NUMBER	PACKAGE QUANTITY	MATERIAL TYPE	FOR USE WITH PANDUIT CONTINUOUS BANDING
MSBW75-C2	100	201 SS	MSW75T30-CR2
MSBW75-C6	100	316 SS	MSW75T30-CR6

REV	DATE	BY	CHK	APR	DESCRIPTION	ECN
03A	4/13	JAMB	SKB	---	UPDATE DRAWING TO NEW GLOBAL PANDUIT TITLE BLOCK WITH PANDUIT LOGO. ADDED TO NOTE #2: "AND ARE FOR REFERENCE ONLY"	SSECN01057
02A	6/10	JAMB	SKB	---	ADDED PART NUMBER MSBW75-C6 TO TABLE. ADDED "MATERIAL TYPE" TO TABLE. ADDED "FOR USE WITH...ETC" TO TABLE.	-----
01A	5/09	MIM	CCH	---	DRAWING RELEASED	-----

<p>TITLE MS75 METAL STRAPPING LOOSE PIECE BUCKLES CUSTOMER DRAWING</p>			
<p>ITEM REVISION NAME N41285BS/03</p>			
<p>DATASET FILE NAME N41285BS_DC/03A</p>			
<p>UNLESS OTHERWISE SPECIFIED, DIMENSIONAL TOLERANCES ARE: IN [mm]</p> <p>.x ± .1 [2.54] .xxx ± .005 [.127] .xx ± .01 [.25] ANGLES ± 5 °</p>		<p>MATERIAL: SEE NOTES</p>	
		<p>THIRD ANGLE PROJECTION</p>	
<p>DRAWN BY MIM</p>	<p>DATE 5/09</p>	<p>CHK SKB</p>	<p>SCALE NONE</p>
<p>SHT 1 OF 1</p>			<p>SIZE A</p>

X-ON Electronics

Largest Supplier of Electrical and Electronic Components

Click to view similar products for [Cable Ties](#) category:

Click to view products by [Panduit](#) manufacturer:

Other Similar products are found below :

[65037-C](#) [770-1751-10](#) [REL50L0C2](#) [20093-0](#) [SF600-120X](#) [SJ3518FR-1x50](#) [SJ3526N-Beige-2"x50yd](#) [SJ3526N BLACK 58" X 50YD](#) [SJ3571](#)
[SJ-3571-1"x50yd-Black](#) [PLT2S-C4](#) [34-455-C](#) [3722](#) [561-B110120](#) [561-N3510](#) [TYZ528M](#) [34-463-C](#) [URT20S-M](#) [06226](#) [08350-0](#) [08600-0](#)
[08376-0](#) [10037-0](#) [10325-0](#) [10362-0](#) [10606-0](#) [1122-4JW8](#) [561-EZ250](#) [561-EZ625](#) [SJ3527N-Beige-2"x50yd](#) [SJ3527N-LOOP-BLACK-1](#)
[SJ3572-2"x50yd-Black](#) [CF5625-000](#) [65004-C](#) [65005-C](#) [65007-C](#) [65036-C](#) [157-00039](#) [770-1708](#) [770-1753-10](#) [770-1752](#) [SPNY-041-9](#)
[SF400-120X](#) [3719](#) [08582-0](#) [08386-0](#) [10431-0](#) [08359-0](#) [10620-0](#) [10345-0](#)