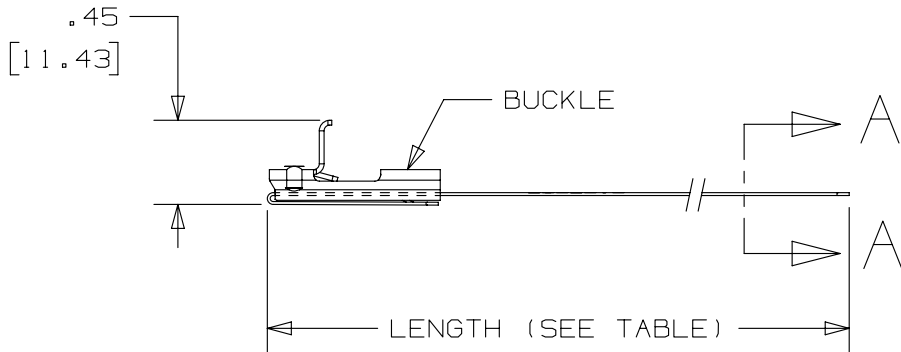
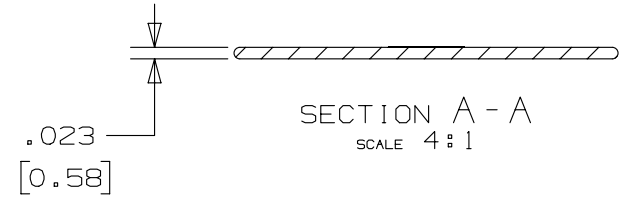
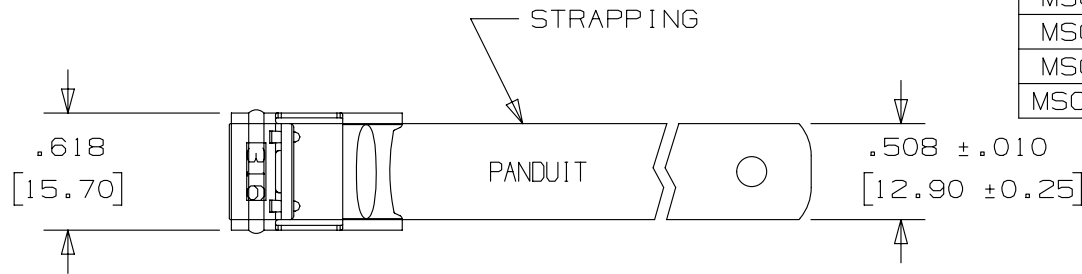


THIS COPY IS PROVIDED ON A RESTRICTED BASIS AND IS NOT TO BE USED IN ANY WAY DETRIMENTAL TO THE INTERESTS OF PANDUIT CORP.

PART NUMBER	MAX BUNDLE DIAMETER [ mm ]	LENGTH +/- .1 [ 2 ]
MSC4W50T15-L6	4" [ 102 ]	18.0" [ 457 ]
MSC6W50T15-L6	6" [ 152 ]	24.4" [ 620 ]
MSC8W50T15-L6	8" [ 203 ]	30.7" [ 780 ]
MSC10W50T15-L6	10" [ 254 ]	37.0" [ 940 ]



NOTES:

1. APPLICATION TOOLS: BT2MS75, BT2HT
2. ALL DIMENSIONS IN BRACKETS [ ] ARE MILLIMETERS.
3. BASE MATERIAL: 316 STAINLESS STEEL.
4. 100% COATED WITH BLACK NYLON OR POLYESTER.
5. COATING THICKNESS: .003/.005 [ .076/.127 ] PER SIDE.
6. TOLERANCES (UNLESS OTHERWISE SPECIFIED):  
 $\phi .X \pm .03 [ .8 ]$   
 $.XX \pm .02 [ .5 ]$   
 $.XXX \pm .007 [ .18 ]$

REV	DATE	BY	CHK	APR	DESCRIPTION	ECN
01A	4/13	JAMB	MIM	RGRO	UPDATE DRAWING TO NEW GLOBAL PANDUIT TITLE BLOCK WITH PANDUIT LOGO	SSECN01047
00A	10/08	JAMB	SKB	---	ORIG REV WAS 00, ORIG CAD FILE SPEC WAS S41168_00. NOTE APPLICATION TOOL BT1HT REPLACED BY BT2HT	----
00	10/03	BRH	EJD	JJB	DRAWING RELEASED	11159

TITLE		COATED METAL STRAPPING .500" [12.7] WIDE	
CUSTOMER DRAWING			
ITEM REVISION NAME		N41168BS/01	
DATASET FILE NAME		N41168BS_DC/01A	
UNLESS OTHERWISE SPECIFIED, DIMENSIONAL TOLERANCES ARE: IN [ mm ]			
$.x \pm .1 [ 2.54 ]$ $.xx \pm .01 [ .25 ]$			
$.xxx \pm .005 [ .127 ]$ ANGLES $\pm 5^\circ$		MATERIAL:  SEE NOTES	
		DRAWING NUMBER: N41168BS_DC	
DRAWN BY	DATE	CHK	SCALE
BRH	10/03	EJD	1:1
SHT 1 OF 1			SIZE A

## X-ON Electronics

Largest Supplier of Electrical and Electronic Components

*Click to view similar products for [Cable Ties](#) category:*

*Click to view products by [Panduit](#) manufacturer:*

Other Similar products are found below :

[65037-C](#) [770-1751-10](#) [REL50L0C2](#) [20093-0](#) [SF600-120X](#) [SJ3518FR-1x50](#) [SJ3526N-Beige-2"x50yd](#) [SJ3526N BLACK 58" X 50YD](#) [SJ3571](#)  
[SJ-3571-1"x50yd-Black](#) [PLT2S-C4](#) [34-455-C](#) [3722](#) [561-B110120](#) [561-N3510](#) [TYZ528M](#) [34-463-C](#) [URT20S-M](#) [06226](#) [08350-0](#) [08600-0](#)  
[08376-0](#) [10037-0](#) [10325-0](#) [10362-0](#) [10606-0](#) [1122-4JW8](#) [561-EZ250](#) [561-EZ625](#) [SJ3527N-Beige-2"x50yd](#) [SJ3527N-LOOP-BLACK-1](#)  
[SJ3572-2"x50yd-Black](#) [CF5625-000](#) [65004-C](#) [65005-C](#) [65007-C](#) [65036-C](#) [157-00039](#) [770-1708](#) [770-1753-10](#) [770-1752](#) [SPNY-041-9](#)  
[SF400-120X](#) [3719](#) [08582-0](#) [08386-0](#) [10431-0](#) [08359-0](#) [10620-0](#) [10345-0](#)