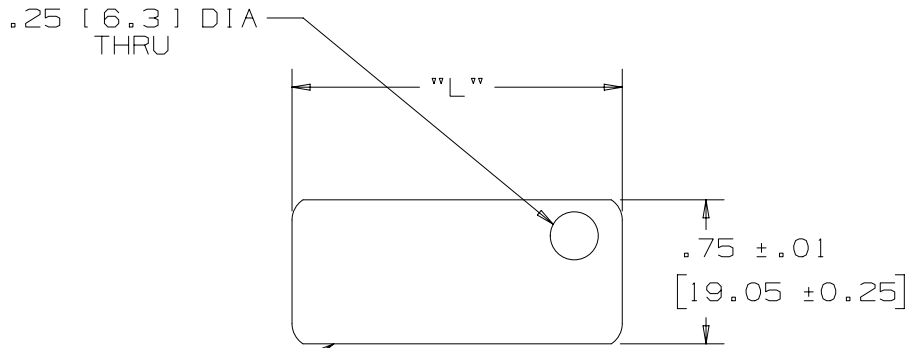
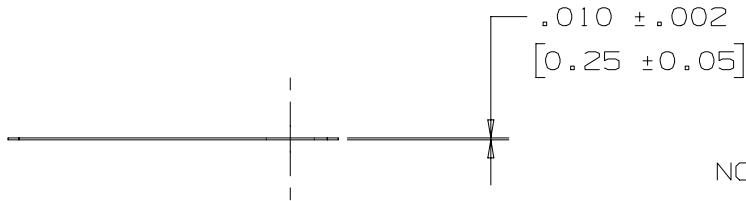


THIS COPY IS PROVIDED ON A RESTRICTED BASIS AND IS NOT TO BE USED IN ANY WAY DETRIMENTAL TO THE INTERESTS OF PANDUIT CORP.



AISI #5 EDGES ROLLED TO ELIMINATE SHARPNESS



PANDUIT PART NUMBER	MATERIAL	PACKAGE QUANTITY	LENGTH = "L" ± .02
MT172-C	304 SS	100	1.72 [43]
MT172-C316	316 SS	100	1.72 [43]
MT350-C	304 SS	100	3.50 [89]
MT350-C316	316 SS	100	3.50 [89]
MT172-M	304 SS	1000	1.72 [43]
MT350-M	304 SS	1000	3.50 [89]

NOTES:

- BRACKETS [] DENOTES DIMENSIONS IN MILLIMETERS
- CUSTOM PERMANENT MARKING AVAILABLE CONSULT FACTORY
- TOLERANCES:
 .XXX = ±.010 [.25]
 .XX = ±.02 [.5]
 .X = ±.03 [.8]
 ANGLES = ±2°

REV	DATE	BY	CHK	APR	DESCRIPTION	ECN	TITLE			MATERIAL:		
							METAL TAGS - 1 HOLE			STAINLESS STEEL		
							CUSTOMER DRAWING			DRAWING NUMBER: N41064BS_DC		
04A	12/11/17	RVU	CLW	JHAC	ADD MT172-M, & MT350-M TO TABLE.	GAECN04431	ITEM REVISION NAME N41064BS/04					
03A	3/13	JAMB	MIM	RGRO	UPDATE DRAWING TO NEW PANDUIT GLOBAL TITLE BLOCK WITH PANDUIT LOGO	SSECN01031	DATASET FILE NAME N41064BS_DC/04A					
02	5/02	JAMB	JAC	JAC	MATERIAL FOR PART NUMBER MT172-C & MT350-C WAS 302 SS	09145	UNLESS OTHERWISE SPECIFIED, DIMENSIONAL TOLERANCES ARE: IN [mm] .x ± .1 [2.54] .xxx ± .005 [.127] .xx ± .01 [.25] ANGLES ± 5 °					
01	1/01	KMD	JAC	JAC	MT172-C316 WAS MT172-316C, MT350-C316 WAS MT-316C. CAD FILE SPEC WAS NPC-S41084_00	09062	THIRD ANGLE PROJECTION					
00	11/91	SM	JAC	LA	RELEASED	00679						
							DRAWN BY SAM	DATE 11/11/91	CHK JAC	SCALE 1:1	SHT 1 OF 1	SIZE A

X-ON Electronics

Largest Supplier of Electrical and Electronic Components

Click to view similar products for [Wire Labels & Markers](#) category:

Click to view products by [Panduit](#) manufacturer:

Other Similar products are found below :

[89078GBEST](#) [89082GBESR](#) [89082GBEST](#) [PCL025-4](#) [5761-2SF](#) [58400](#) [586R734H02](#) [M1.040.0000.6](#) [CRS-CM5M](#) [CRS-M18M](#) [CS1836-000](#) [CS8626-000](#) [CU6337-000](#) [CU6342-000](#) [CU6343-000](#) [CWD01-0](#) [CWD012-0](#) [CWD012-7](#) [CWD015-3](#) [CWD015-7](#) [CWD02-0](#) [CWD02-3](#) [CWD02-4](#) [CWD02-6](#) [CWD02-8](#) [CWD02-A](#) [CWD02-D](#) [CWD02-H](#) [CWD02-K](#) [CWD02-L](#) [CWD02-M](#) [CWD02-P](#) [CWD02-Q](#) [CWD02-R](#) [CWD02-U](#) [CWD02-W](#) [CWD02-Y](#) [CWD03-+](#) [CWD03-0](#) [CWD03-P](#) [CWD06-0](#) [CWD06-8](#) [CWD06-9](#) [CWD06-L](#) [CWD06-N](#) [CWD09-0](#) [CWD09-5](#) [CWD09-7](#) [6806810001](#) [CZ2857-000](#)