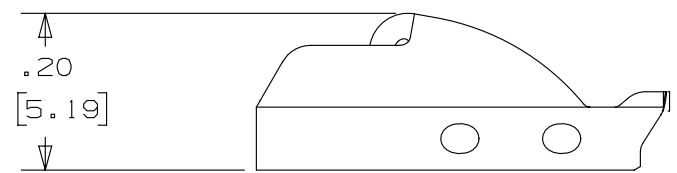
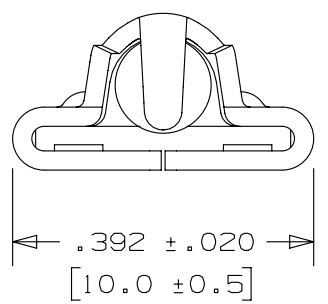
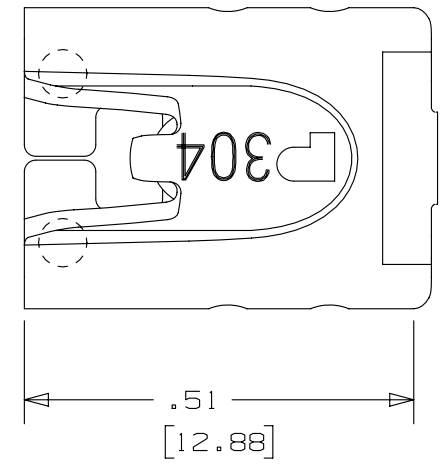


THIS COPY IS PROVIDED ON A RESTRICTED BASIS AND IS NOT TO BE USED IN ANY WAY DETRIMENTAL TO THE INTERESTS OF PANDUIT CORP.

NOTES:

- 1. TO BE USED WITH PANDUIT METAL BANDING MBH-MR & MBH-TLR.
- 2. APPLICATION TOOL: GS4MT, ST2MT, PPTMT, ST3MT^(A), OR HTMT.
- 3. TOOL TENSION SETTING: 4 TO 8 (GS4MT AND PPTMT ONLY)
- 4. DIMENSIONS IN [] ARE MILLIMETERS.
- 5. MINIMUM LOOP TENSILE STRENGTH: 250 LBS (1112 N)^(B)
- 6. TOLERANCES: .X = ±.030 [.762]
 .XX = ±.020 [.508]
 .XXX = ±.010 [.254]
 ANGLES = ±2°



TITLE		METAL TIE HEAD HEAVY PART NUMBER MTHH-C	
CUSTOMER DRAWING			
ITEM REVISION NAME	N41130BS/02	PANDUIT	
DATASET FILE NAME	N41130BS/02		
UNLESS OTHERWISE SPECIFIED, DIMENSIONAL TOLERANCES ARE: IN [mm]		MATERIAL:	
.x ± .1 [2.54]	.xxx ± .005 [.127]	304 STAINLESS STEEL	
.xx ± .01 [.25]	ANGLES ± 5 °	DRAWING NUMBER:	
THIRD ANGLE PROJECTION		N41130BS_DC	
DRAWN BY	DATE	CHK	SCALE
JAMB	DPN	11/02	4:1
SHT 1 OF 1			SIZE
			A

REV	DATE	BY	CHK	APR	DESCRIPTION	ECN
01	10/03	BRH	DPN	JJB	(A) ADDED ST3MT TO APPLICATION TOOL NOTE (B) ADDED TENSILE STRENGTH NOTE	11162
00	11/02	JAMB	DPN	JJB	DRAWING RELEASED	10401

X-ON Electronics

Largest Supplier of Electrical and Electronic Components

Click to view similar products for [Cable Ties](#) category:

Click to view products by [Panduit](#) manufacturer:

Other Similar products are found below :

[65037-C](#) [770-1751-10](#) [REL50L0C2](#) [20093-0](#) [SF600-120X](#) [SJ3518FR-1x50](#) [SJ3526N-Beige-2"x50yd](#) [SJ3526N BLACK 58" X 50YD](#) [SJ3571](#)
[SJ-3571-1"x50yd-Black](#) [PLT2S-C4](#) [34-455-C](#) [3722](#) [561-B110120](#) [561-N3510](#) [TYZ528M](#) [34-463-C](#) [URT20S-M](#) [06226](#) [08350-0](#) [08600-0](#)
[08376-0](#) [10037-0](#) [10325-0](#) [10362-0](#) [10606-0](#) [1122-4JW8](#) [561-EZ250](#) [561-EZ625](#) [SJ3527N-Beige-2"x50yd](#) [SJ3527N-LOOP-BLACK-1](#)
[SJ3572-2"x50yd-Black](#) [CF5625-000](#) [65004-C](#) [65005-C](#) [65007-C](#) [65036-C](#) [157-00039](#) [770-1708](#) [770-1753-10](#) [770-1752](#) [SPNY-041-9](#)
[SF400-120X](#) [3719](#) [08582-0](#) [08386-0](#) [10431-0](#) [08359-0](#) [10620-0](#) [10345-0](#)