

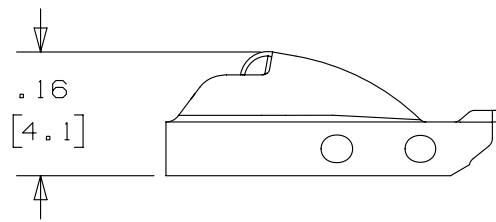
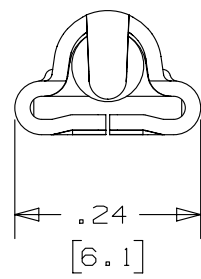
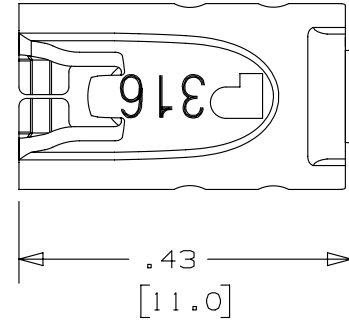
2

1

THIS COPY IS PROVIDED ON A RESTRICTED BASIS AND IS NOT TO BE USED IN ANY WAY DETRIMENTAL TO THE INTERESTS OF PANDUIT CORP.

NOTES:

1. TO BE USED WITH PANDUIT STAINLESS STEEL BANDING MBS-MR316 & MBS-TLR316. (A)
2. APPLICATION TOOL: GS4MT, PPTMT, ST2MT, ST3MT, AND HTMT.
3. TOOL TENSION SETTING: 1 TO 4 (GS4MT & PPTMT TOOLS ONLY).
4. DIMENSIONS IN [] ARE MILLIMETERS.
5. MINIMUM LOOP TENSILE STRENGTH: 100 lbs. [445 N].
6. TOLERANCES: .XXX = ±.010 [.254]
 .XX = ±.02 [.508]
 .X = ±.03 [.762]
 ANGLES = ±2°



REV	DATE	BY	CHK	APR	DESCRIPTION	ECN
02A	3/13	JAMB	MIM	RGRO	UPDATE DRAWING TO NEW GLOBAL PANDUIT TITLE BLOCK WITH PANDUIT LOGO. ORIG CAD FILE SPEC WAS S41146_01	SSECN01042
01	10/03	BRH	DPN	JJB	(A) ADDED ST3MT TO APPLICATION TOOL NOTE	11162
00	8/03	JAMB	DPN	JJB	DRAWING RELEASED	10938

<p>TITLE</p> <p style="text-align: center;">METAL LOCKING TIE HEAD STANDARD PART #MTHS-C316</p> <p style="text-align: center;">CUSTOMER DRAWING</p>					
<p>ITEM REVISION NAME</p> <p style="text-align: center;">N41146BS/02</p>					
<p>DATASET FILE NAME</p> <p style="text-align: center;">N41146BS/02</p>					
<p>UNLESS OTHERWISE SPECIFIED, DIMENSIONAL TOLERANCES ARE: IN [mm]</p> <p>.x ± .1 [2.54] .xxx ± .005 [.127] .xx ± .01 [.25] ANGLES ± 5 °</p>					
<p style="text-align: center;"> </p> <p style="text-align: center;">THIRD ANGLE PROJECTION</p>					
<p>DRAWN BY</p> <p>JAMB</p>	<p>DATE</p> <p>8-12-03</p>	<p>CHK</p> <p>DPN</p>	<p>SCALE</p> <p>4:1</p>	<p>DRAWING NUMBER:</p> <p>N41146BS_DC</p>	<p>SIZE</p> <p>A</p>
				<p>SHT 1 OF 1</p>	

2

1

X-ON Electronics

Largest Supplier of Electrical and Electronic Components

Click to view similar products for [Cable Ties](#) category:

Click to view products by [Panduit](#) manufacturer:

Other Similar products are found below :

[65037-C](#) [770-1751-10](#) [REL50L0C2](#) [20093-0](#) [SF600-120X](#) [SJ3518FR-1x50](#) [SJ3526N-Beige-2"x50yd](#) [SJ3526N BLACK 58" X 50YD](#) [SJ3571](#)
[SJ-3571-1"x50yd-Black](#) [PLT2S-C4](#) [34-455-C](#) [3722](#) [561-B110120](#) [561-N3510](#) [TYZ528M](#) [34-463-C](#) [URT20S-M](#) [06226](#) [08350-0](#) [08600-0](#)
[08376-0](#) [10037-0](#) [10325-0](#) [10362-0](#) [10606-0](#) [1122-4JW8](#) [561-EZ250](#) [561-EZ625](#) [SJ3527N-Beige-2"x50yd](#) [SJ3527N-LOOP-BLACK-1](#)
[SJ3572-2"x50yd-Black](#) [CF5625-000](#) [65004-C](#) [65005-C](#) [65007-C](#) [65036-C](#) [157-00039](#) [770-1708](#) [770-1753-10](#) [770-1752](#) [SPNY-041-9](#)
[SF400-120X](#) [3719](#) [08582-0](#) [08386-0](#) [10431-0](#) [08359-0](#) [10620-0](#) [10345-0](#)