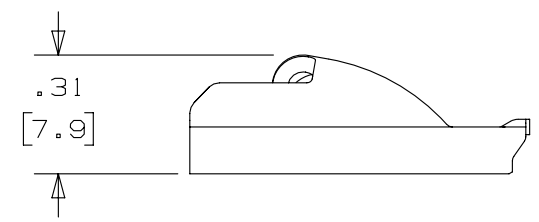
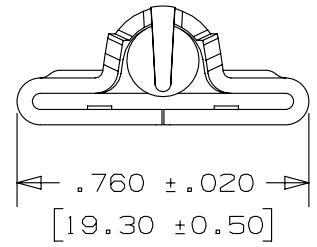
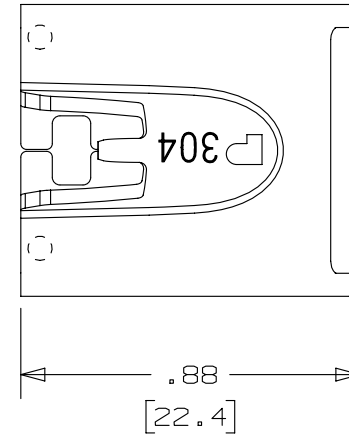



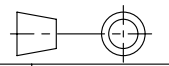
THIS COPY IS PROVIDED ON A RESTRICTED BASIS AND IS NOT TO BE USED IN ANY WAY DETRIMENTAL TO THE INTERESTS OF PANDUIT CORP.

NOTES:

1. TO BE USED WITH PANDUIT METAL BANDING MBSH-TR
2. INSTALLATION TOOL: RT2HT, PBTMT, RT2HTN
3. BRACKETS [] DENOTES DIMENSIONS IN MILLIMETERS
4. MINIMUM LOOP TENSILE STRENGTH: 450 lbs (2002 newtons)
5. TOLERANCES:
 - .X = ±.030 [.762]
 - .XX = ±.020 [.508]
 - .XXX = ±.010 [.254]
 - ANGLES = ±2°
6. MATERIAL: 304 STAINLESS STEEL



REV	DATE	BY	CHK	APR	DESCRIPTION	ECN
03A	11/13	MIM	MIM	RGB	1. PART NUMBER MTHSH-C WAS INCORRECTLY SPECIFIED MTHS-CH	SSECN01115
02A	4/13	JAMB	MIM	RGRO	UPDATE DRAWING TO NEW GLOBAL PANDUIT TITLE BLOCK WITH PANDUIT LOGO	SSECN01049
01A	7/11	JAMB	MIM	---	ADDED INSTALLATION TOOLS PBTMT & RT2HTN	-----
00A	10/08	JAMB	SKB	---	ORIG CAD FILE SPEC WAS S41204_00. NOTE #2 - APPLICATION TOOL RT1HT REPLACED BY RT2HT	-----
00	8/05	JAMB	EJD	---	DRAWING RELEASED	SS00016

TITLE METAL LOCKING TIE HEAD-SUPER HEAVY DUTY FOR UNCOATED BANDING PART NO. MTHSH-C CUSTOMER DRAWING					
ITEM REVISION NAME N41204BS/03					
DATASET FILE NAME N41204BS_DC/03A					
UNLESS OTHERWISE SPECIFIED, DIMENSIONAL TOLERANCES ARE: IN [mm] .x ± .1 [2.54] .xxx ± .005 [.127] .xx ± .01 [.25] ANGLES ± 5 °					MATERIAL: SEE NOTES
 THIRD ANGLE PROJECTION					DRAWING NUMBER: N41204BS_DC
DRAWN BY JAMB	DATE 8/9/05	CHK EJD	SCALE 2:1	SHT 1 OF 1	SIZE A

X-ON Electronics

Largest Supplier of Electrical and Electronic Components

Click to view similar products for [Cable Ties](#) category:

Click to view products by [Panduit](#) manufacturer:

Other Similar products are found below :

[65037-C](#) [770-1751-10](#) [REL50L0C2](#) [20093-0](#) [SF600-120X](#) [SJ3518FR-1x50](#) [SJ3526N-Beige-2"x50yd](#) [SJ3526N BLACK 58" X 50YD](#) [SJ3571](#)
[SJ-3571-1"x50yd-Black](#) [PLT2S-C4](#) [34-455-C](#) [3722](#) [561-B110120](#) [561-N3510](#) [TYZ528M](#) [34-463-C](#) [URT20S-M](#) [06226](#) [08350-0](#) [08600-0](#)
[08376-0](#) [10325-0](#) [10362-0](#) [10606-0](#) [561-EZ250](#) [561-EZ625](#) [SJ3527N-Beige-2"x50yd](#) [SJ3527N-LOOP-BLACK-1](#) [SJ3572-2"x50yd-Black](#)
[CF5625-000](#) [65004-C](#) [65005-C](#) [65007-C](#) [65036-C](#) [157-00039](#) [770-1708](#) [770-1753-10](#) [770-1752](#) [SPNY-041-9](#) [SF400-120X](#) [3719](#) [08582-0](#)
[08386-0](#) [10431-0](#) [08359-0](#) [10620-0](#) [10345-0](#) [08416-0](#) [08384-0](#)