

NetFrame® Cable Management Rack System

specifications

Cable management rack shall be constructed of steel and capable of mounting as 19" or 23" EIA rack. The vertical channels shall have side and front pass through holes. The vertical channels shall have slots that can accommodate plastic d-rings, plastic bend radius fingers, and spools to provide vertical cable management. The rear of the channel shall have an unequal flange design that allows access to cables inside the channel. The top of the rack shall have integral waterfalls that feed to the front and center of the vertical channels. The rack shall be capable of accepting steel, full length, hinged doors. Rack construction method shall ensure an electrically bonded structure for ease of grounding.



technical information

Dimensions:	NFR84 (19") – 86.0"H x 28.4"W x 17.0"D (2183mm x 721mm x 432mm) NFR84 (23") – 86.0"H x 32.4"W x 17.0"D (2183mm x 823mm x 432mm)
Standards:	Meets all EIA requirements as defined in EIA-310-D
Packaging:	Packaged with two vertical channels, top and bottom brackets, assembly hardware that bonds the rack and installation instructions

key features and benefits

Modular system	Multiple vertical cable management options install easily and allow user to configure system to their preferences
Mounts as 19" or 23" EIA rack	Suitable for a variety of applications
Rack space identification (numbered at every fifth position)	Allows for quick and easy location of rack spaces, speeding installation of horizontal rack mount items
Fully bonded structure	Two hole lug attachment simplifies grounding to assure proper grounding technique
1500 lb. load rating	Accommodates large networking equipment
Deep vertical channel	Provides pathway for distribution cable
Open rear channel	Provides easy access to cables inside of vertical channel simplifying moves, adds, and changes
Optional hinged metal door	Provides easy access to vertical pathway without having to completely remove door
Integral waterfalls	Provides bend radius control for cables as they go to the front and inside of the vertical channels
Pass through holes	Located on front and side to allow access from the patching surface to the back of equipment as well as between racks

applications

The NetFrame® Cable Management Rack System is designed to support heavy networking equipment and can be used in cross-connect and interconnect applications in a telecommunications room. The NetFrame® System is completely modular and can manage high performance copper and fiber patch cables.

This modular rack system is compatible with the Panduit horizontal cable management panels, including the NetManager™ Cable Manager, PatchLink™, and Open-Access™ D-ring options, Opticom® Fiber Optic Enclosures, and Mini-Com® Patch Panels.

NetFrame® Rack System

19" or 23" x 7': NFR84

NetFrame® Vertical Cable Management Options

4" x 6"D-ring kit (8): NFDR4X6K
Center D-ring kit (16): NFCDRK
Bend radius finger kit (8): NFBRFK
Fiber slack spool: NFSK

NetFrame® Shelves

19"W x 18"D: NFSHLF19X18
19"W x 25"D: NFSHLF19X25

NetFrame® Accessories

Hinged metal door (4" x 7'): NFD484
(8" x 7'): NFD884
(12" x 7'): NFD1284
Ladder rack bracket: NFLRB
End panel: NFEP
Slack manager: NFVSM4

Troughs

19" lower with 1.3" bend radius: CMLT19
19" upper: CMUT19
19" lower: CMT4

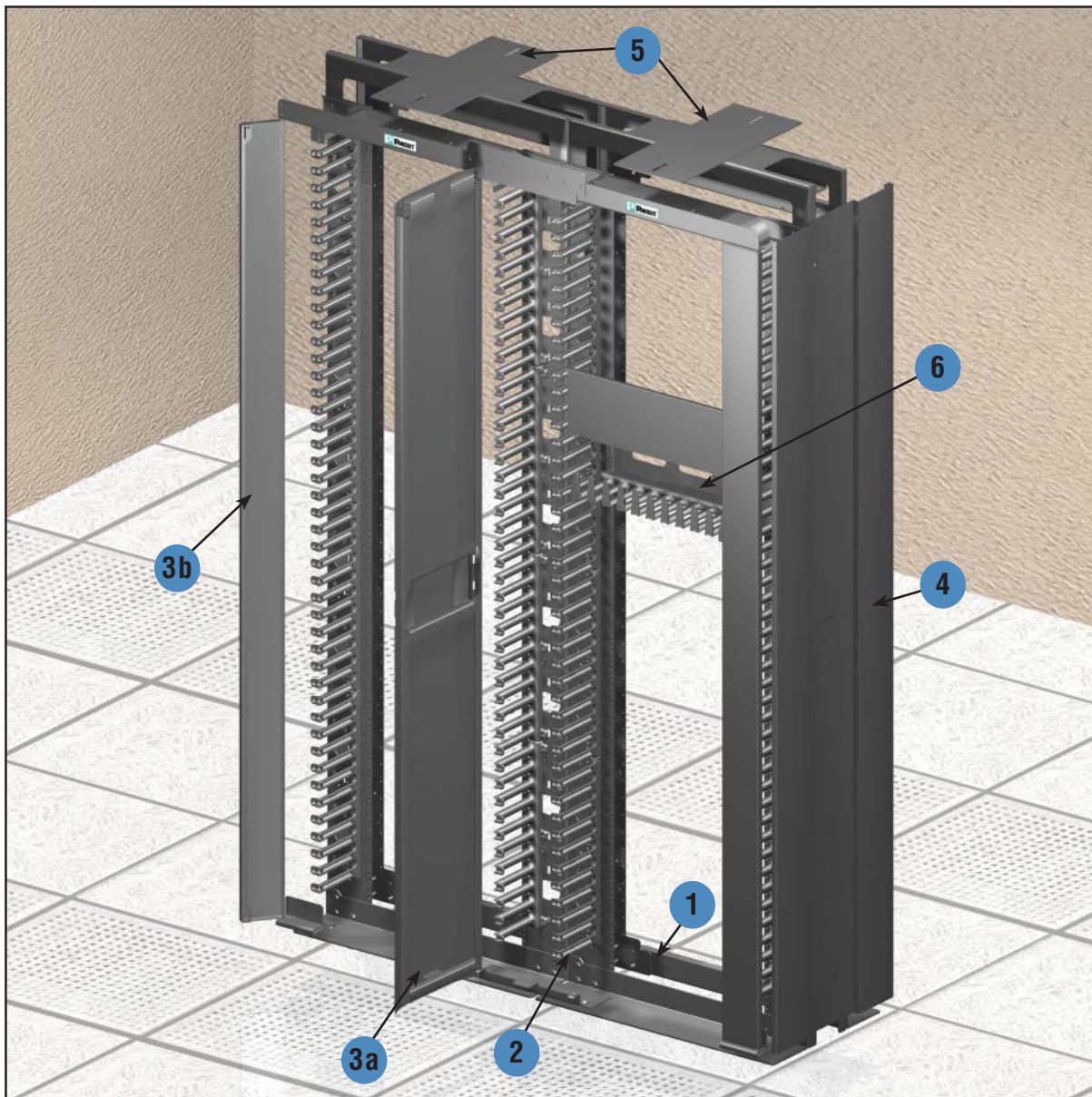
Power Strips 19" Horizontal

15 A: CMRPSH15
20 A: CMRPSH20

Power Strips 19" Vertical

39" single circuit: CMRPSV20
66" dual circuit: CMRPSVD20

NetFrame® Cable Management Rack System



- 1** NFR84 – NetFrame® 19" Equipment Rack, 45 RU
- 2** NFBRFK – Vertical Cable Management, kit of (8) bend radius fingers
- 3a** NFD884 – Dual Hinge, 8" wide for use in covering two adjacent pathways
- 3b** NFD484 – Single Hinge, 4" wide
- 4** NFEP – End Panel
- 5** NFLRB – Ladder Rack Support Bracket, for parallel and perpendicular attachment of ladder rack
- 6** NCMHAEF4 – Cable Pathway

WORLDWIDE SUBSIDIARIES AND SALES OFFICES

PANDUIT CANADA
Markham, Ontario
cs-cdn@panduit.com
Phone: 800.777.3300

PANDUIT EUROPE LTD.
London, UK
cs-emea@panduit.com
Phone: 44.20.8601.7200

PANDUIT SINGAPORE PTE. LTD.
Republic of Singapore
cs-ap@panduit.com
Phone: 65.6305.7575

PANDUIT JAPAN
Tokyo, Japan
cs-japan@panduit.com
Phone: 81.3.6863.6000

PANDUIT LATIN AMERICA
Guadalajara, Mexico
cs-la@panduit.com
Phone: 52.33.3777.6000

PANDUIT AUSTRALIA PTY. LTD.
Victoria, Australia
cs-aus@panduit.com
Phone: 61.3.9794.9020

For a copy of Panduit product warranties, log on to www.panduit.com/warranty

For more information

Visit us at www.panduit.com

Contact Customer Service by email: cs@panduit.com
or by phone: 800.777.3300

PANDUIT®

©2013 Panduit Corp.
ALL RIGHTS RESERVED.
RKSP128--WW-ENG
Replaces WW-RKSP01
4/2013

X-ON Electronics

Largest Supplier of Electrical and Electronic Components

Click to view similar products for [Wire Ducting & Raceways](#) category:

Click to view products by [Panduit](#) manufacturer:

Other Similar products are found below :

[800A-LB](#) [801I-LSP](#) [802A-ECSP](#) [802I-ICSP](#) [923223-000](#) [PRAF6WH-X](#) [A0405538](#) [1301150342](#) [1301160034](#) [1301170070](#) [1301180011](#)
[1301230083](#) [1301230153](#) [1301240273](#) [1301250006](#) [1302261238](#) [1302261321](#) [1302262552](#) [1302263103](#) [1302263178](#) [1302263259](#)
[1302263816](#) [1302263860](#) [1302264375](#) [1302264390](#) [1301150343](#) [1301160030](#) [1301170050](#) [1301170051](#) [1301170061](#) [1301180013](#)
[1301230086](#) [1301230130](#) [1301240054](#) [1302260055](#) [1302260376](#) [1302261343](#) [1302261344](#) [1302262674](#) [1302263095](#) [1302263166](#)
[1302263209](#) [1302263513](#) [1302263851](#) [1302263870](#) [1302264137](#) [1302264218](#) [DD1/J](#) [AX101472](#) [AX102007](#)