

Netkey Modular Furniture Faceplates (Standard openings)

PANDUIT

DATA SHEET

specifications

Modular furniture faceplates shall be available in 4 port densities, flat or sloped, furniture faceplates shall mount to standard furniture openings. Furniture faceplates will accept any Netkey keystone module.



NetKey Modular Furniture Faceplates (for standard openings)

4 module space (flat): NK4MFBL*
4 module space (sloped): NK4MFABL*^

Label options for four module space faceplates (adhesive)

Laser/Inkjet: C252X030FJJ
LS8E: C252X030FJC

Accessories

**Modular furniture
faceplate extender
(For use with NK4MF**):** MFFPEBL*

*For other colors, replace suffix BL (Black) with IW (Off White), EI (Electric Ivory), WH (White), or IG (International Gray).

^NKHDMI** and NKUSBAA** can be inserted in the two center ports ONLY

technical information

Mounting options:	Standard sizes have industry standard opening. 1.345" - 1.405" (H) x 2.67" - 2.75" (W), maximum panel thickness of 0.09"
--------------------------	---

key features and benefits

Modular flat design:	Accepts all Netkey modules. Compatible with the modular furniture faceplate extender
Modular sloped design:	Accepts all Netkey modules except for NKHDMI** and NKUSBAA** which can be inserted into the two center ports ONLY
Bend radius control:	Bend radius can be protected or improved by using the sloped design, or use faceplate extender with flat faceplate which will add 0.05" to the in-wall depth.
Identification:	Optional adhesive labels available for easy port identification

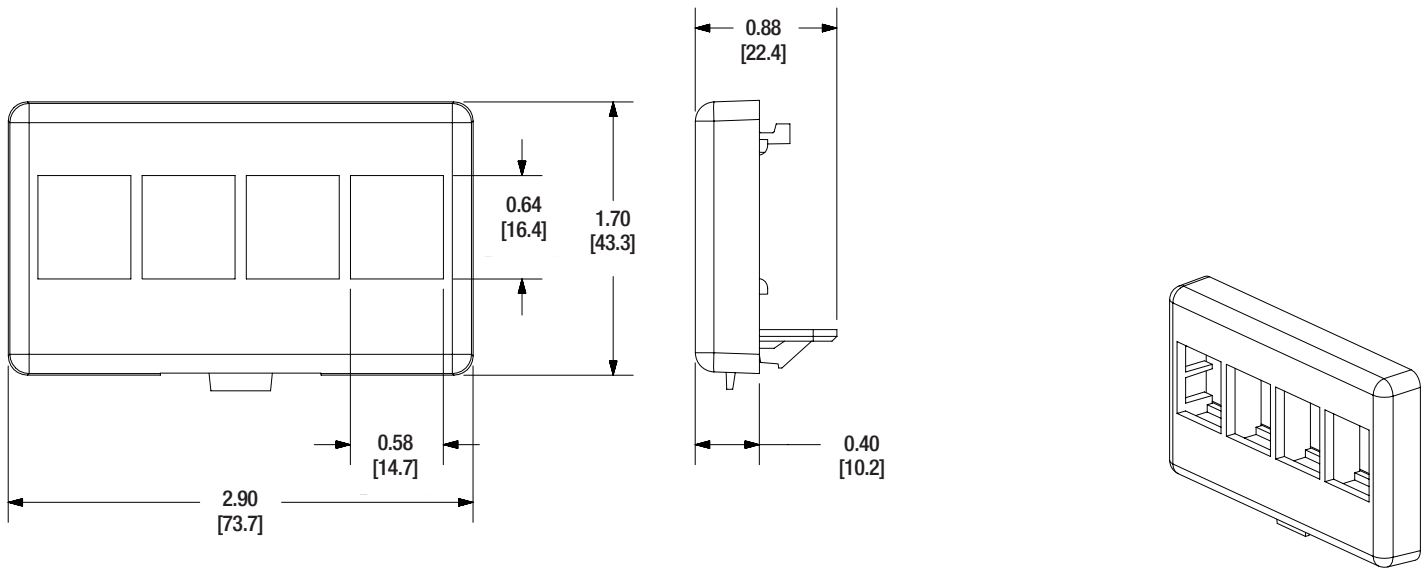
applications

Furniture faceplates are used in work areas with modular furniture which have the standard furniture outlet opening. Angled design is recommended in areas where bend radius control is a concern.

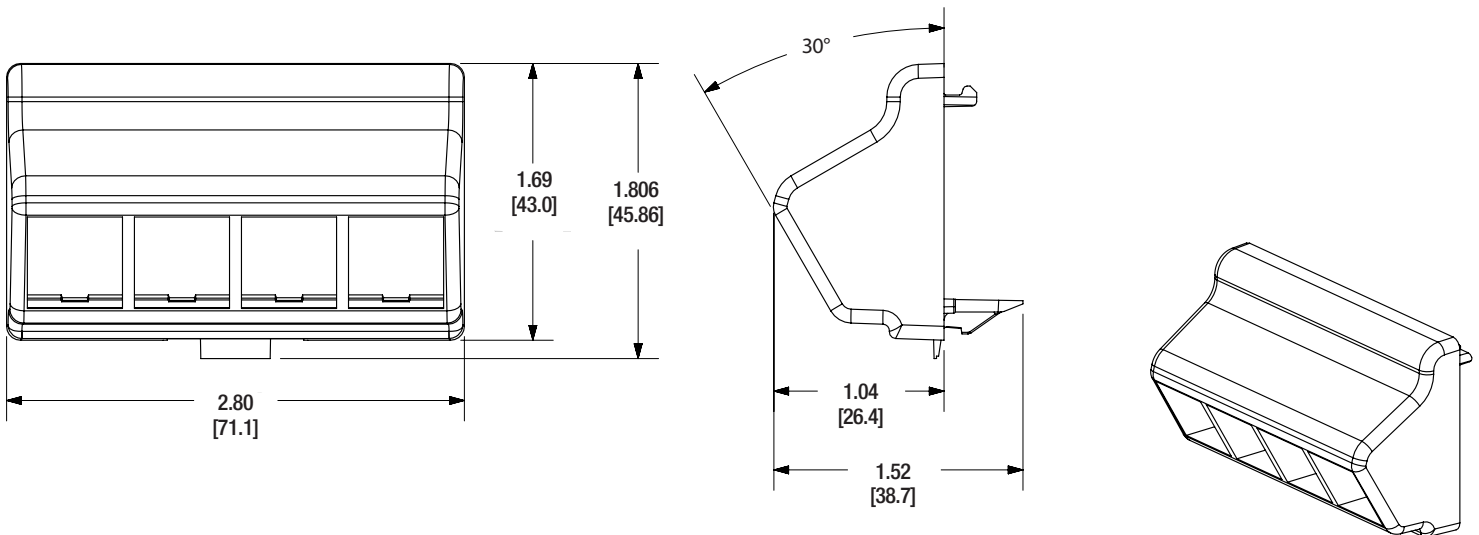
The angled design allows cable to properly route within the channel. Faceplate extender can also be used to increase the space behind the furniture faceplate by 0.5".

Netkey Modular Furniture Faceplates (Standard openings)

NK4MFBL



NK4MFABL



Dimensions are in inches. [Dimensions in brackets are in millimeters]

WORLDWIDE SUBSIDIARIES AND SALES OFFICES

PANDUIT US/CANADA
Phone: 800.777.3300

PANDUIT EUROPE LTD.
London, UK
cs-emea@panduit.com
Phone: 44.20.8601.7200

PANDUIT SINGAPORE PTE. LTD.
Republic of Singapore
cs-ap@panduit.com
Phone: 65.6305.7575

PANDUIT JAPAN
Tokyo, Japan
cs-japan@panduit.com
Phone: 81.3.6863.6000

PANDUIT LATIN AMERICA
Guadalajara, Mexico
cs-la@panduit.com
Phone: 52.33.3777.6000

PANDUIT AUSTRALIA PTY. LTD.
Victoria, Australia
cs-aus@panduit.com
Phone: 61.3.9794.9020

For a copy of Panduit product warranties, log on to www.panduit.com/warranty

For more information

Visit us at www.panduit.com

Contact Customer Service by email: cs@panduit.com
or by phone: 800.777.3300

PANDUIT[®]

© 2018 Panduit Corp.
ALL RIGHTS RESERVED.
NKDS60--WW-ENG
3/2018

X-ON Electronics

Largest Supplier of Electrical and Electronic Components

Click to view similar products for [Enclosures, Boxes & Cases](#) category:

Click to view products by [Panduit](#) manufacturer:

Other Similar products are found below :

[585-R-WH-PK](#) [M-10-PLATED](#) [60221-01](#) [60566-01-000](#) [HPL-9VB BATT DOOR](#) [M18-PLTD](#) [M-21-PLATED](#) [63310-01-000](#) [6711GSKT](#)
[71884-29-028](#) [LH45-100 Black](#) [72868-510-000](#) [CNS-0000 Black](#) [72883-510-000](#) [CNS-0101 Black](#) [72906-510-000](#) [CNS-0407 Black](#) [73092-](#)
[510-000](#) [CNM-0101 Black](#) [73105-510-000](#) [CNL-0101 Black](#) [73108-510-000](#) [CNL-0303 Black](#) [73395-510-039](#) [CNS-0006 Bone](#) [74257-510-000](#)
[CNL-0004](#) [MDC-1183-PLAIN-ALUM](#) [MDC-1183-PTD](#) [MDC-13104-PTD](#) [MDC-321-PTD](#) [MDC-973-PTD](#) [76](#) [77153-01-028](#) [FLX6030](#)
[83535-01-508](#) [90026-501-000](#) [PS36-200](#) [116-508](#) [120-407](#) [120-910](#) [127-908](#) [130-008](#) [1301170079](#) [1322GSKTEP](#) [1325GSKT3](#) [1434-1210](#)
[EAS-500 \(BLACK ANO\)](#) [1804RP-RB-PK](#) [190-005](#) [2202307](#) [KAB3321 BLACK](#) [KAB3421](#) [2697466](#) [S52213](#) [2901123](#) [2901699](#) [A0645271](#)
[A20P20](#) [2106-IR](#) [PERF-850-PLN](#)