

specifications

The rack mount fiber tray and fiber adapter patch panels shall house, organize, manage and protect fiber optic cable, splices, and connectors. Available in both flat and angled versions, patch panels shall accommodate all Panduit pre-terminated MTP* cassettes, fiber adapter panels (FAP), fiber mount panels (FMP), associated trunk cables, connectors, patch cords, and shall include integral cable management. Fiber trays shall be constructed of steel material. Steel cover shall be removable for cabling and connector access during installation. Enclosure shall have multiple knockouts for a variety of trunk cable entry points.



technical information

Dimensions:	CFAPPBL1: 19.00"W x 1.72"H x 0.44"D (482.60mm x 43.7mm x 11.2mm)
	CFAPPBL1A: 19.00"W x 1.72"H x 4.16"D (482.60mm x 43.7mm x 105.5mm)
	CFAPPBL2: 19.00"W x 3.47"H x 0.44"D (482.60mm x 88.1mm x 11.2mm)
	CFAPPBL2A: 19.00"W x 3.47"H x 4.16"D (482.60mm x 88.1mm x 105.6mm)
	FMT1: 19.00"W x 1.72"H x 11.16"D (482.60mm x 43.7mm x 283.4mm)
	FMT1A: 19.00"W x 1.72"H x 11.16"D (482.60mm x 43.7mm x 283.4mm)
	FMT2: 19.00"W x 3.47"H x 11.16"D (482.60mm x 88.1mm x 283.4mm)
	FMT2A: 19.00"W x 3.47"H x 11.16"D (482.60mm x 88.1mm x 283.4mm)

Mounting: Integral mounting flange for installation in 19" wide EIA-310 racks

Accessories: Mounting hardware and accessory kit with labels included

key features and benefits

Works with all Panduit® Opticom® Fiber Optic Cassettes and Fiber Adapter Panels	Provides versatility and flexibility with a fully modular solution for a variety of pre-terminated installations, FAP and field termination, and splicing installations. Works with all Panduit LC, SC, ST, MT-RJ and MTP* fiber adapter panels and cassettes
Provides higher patch field density in fewer rack units saving valuable space	Modular design mounts up to four Opticom® Cassettes or FAP's per RU and up to three Opticom® Cassettes per RU for the angled fiber optic trays
Angled design	Angled design allows cable to flow to each side of the rack: patch cords can be routed directly into vertical cable managers
Fiber optic splice module	Can fusion splice up to 96 fibers per RU in a single enclosure with one-to-one splice-to-patching ratio
Side and rear cable entry	Provides installer with several options to route cable within the tray
Patch panel mounting	Hardware provided to allow patch panel to be pre-assembled before mounting to rack

applications

Opticom® Rack Mount Fiber Trays and Fiber Adapter Patch Panels provide a flexible and modular system for managing fiber termination, connections, and patching for all applications and offer the industry's highest patch field density and fiber counts for all fiber termination methods. Angled fiber optic patch

panels facilitate proper bend radius of each patch cord as it is routed directly into a vertical cable manager, eliminating the need for horizontal cable managers. The high capacity, high-density solution maximizes rack space utilization and reduces floor space requirements for lower overall system costs.

Opticom® Rack Mount Fiber Adapter Patch Panels

1 RU for 4 FAP's or cassettes:	CFAPPBL1
1 RU for 4 FAP's or cassettes, angled:	CFAPPBL1A
2 RU for 8 FAP's or cassettes:	CFAPPBL2
2 RU for 8 FAP's or cassettes, angled:	CFAPPBL2A

Opticom® Rack Mount Fiber Trays

For use with CFAPPBL1:	FMT1
For use with CFAPPBL1A:	FMT1A
For use with CFAPPBL2:	FMT2
For use with CFAPPBL2A:	FMT2A

Opticom® Fiber Adapter Panels

12 duplex LC, 10Gig™:	FAP12WAQDLCZ
6 duplex LC, 10Gig™:	FAP6WAQDLCZ
12 duplex LC:	FAP12WEIDL
6 duplex LC:	FAP6WEIDL
6 duplex SC, 10Gig™:	FAP6WAQDSCZ
3 duplex SC, 10Gig™:	FAP3WAQDSCZ
6 duplex SC:	FAP6WEIDSC
3 duplex SC:	FAP3WEIDSC
6 simplex ST:	FAP6WST
6 MTP*:	FAPH6W12BLMTP

OptiCore® Patch Cords

12 fiber MTP* to MTP*:	F^12D5-5M**Y
Duplex LC to LC:	F^E10-10M**Y
Duplex SC to SC:	F^D3-3M**Y
Duplex SC to LC:	F^D3-10M**Y

Splice Modules

Splice module (fusion):	FOSMF
Splice module (mechanical):	FOSMM

Tools and Accessories

Patch cord removal tool:	PCRT1
---------------------------------	-------

^Substitute for fiber types:
 X = (OM3/OM4 – 10Gig™ 50/125µm)
 5 = (OM2 – 62.5/125µm)
 6 = (OM1 – 62.5/125µm)
 9 = (OS1 – 9/125µm)

*MTP is a registered trademark of US Conec Ltd.

**Substitute for length in meters: 1, 2, 3, 5 and 10 are standard lengths.

Contact Panduit Customer Service for other available lengths.

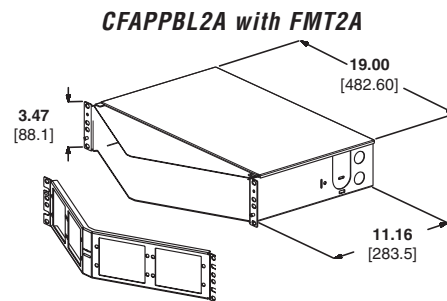
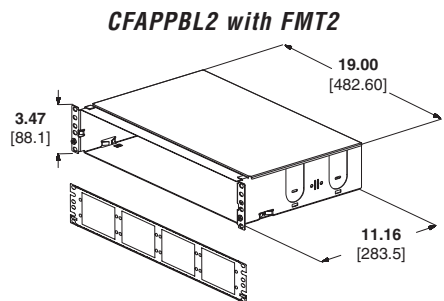
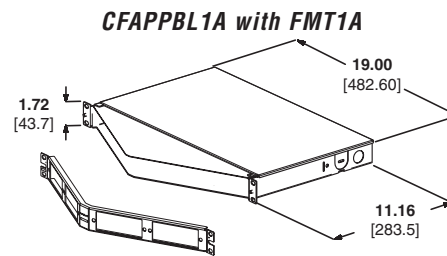
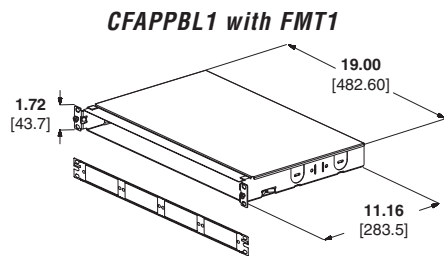
Opticom® Fiber Optic Patch Panels and Trays

Fiber Capacities

Fiber Adapter Panel Type	Enclosure and Fiber count			
	FMT1 (holds up to 4 FAPs)	FMT1A (holds up to 4 FAPs)	FMT2 (holds up to 8 FAPs)	FMT2A (holds up to 8 FAPs)
12 duplex LC adapters	96	96	192	192
8 duplex LC adapters	64	64	128	128
6 duplex LC adapters	48	48	96	96
6 duplex SC adapters	48	48	96	96
4 duplex SC adapters	32	32	64	64
3 duplex SC adapters	24	24	48	48
6 simplex ST adapters	24	24	48	48

QuickNet® Cassette Type	Enclosure and Fiber count			
	FMT1 (holds up to 4 cassettes)	FMT1A (holds up to 3 cassettes)	FMT2 (holds up to 8 cassettes)	FMT2A (holds up to 6 cassettes)
12 duplex LC adapters to 2 MTP*	96	72	192	144
6 duplex LC adapters to 1 MTP*	48	36	96	72
6 duplex SC adapters to 1 MTP*	48	36	96	72
3 duplex SC adapters to 1 MTP*	24	18	48	36
6 simplex ST adapters to 1 MTP*	24	18	48	36

OptiCom® Fiber Optic Patch Panels and Trays



Dimensions are in inches. [Dimensions in brackets are metric].

WORLDWIDE SUBSIDIARIES AND SALES OFFICES

PANDUIT CANADA
Markham, Ontario
cs-cdn@panduit.com
Phone: 800.777.3300

PANDUIT EUROPE LTD.
London, UK
cs-emea@panduit.com
Phone: 44.20.8601.7200

PANDUIT SINGAPORE PTE. LTD.
Republic of Singapore
cs-ap@panduit.com
Phone: 65.6305.7575

PANDUIT JAPAN
Tokyo, Japan
cs-japan@panduit.com
Phone: 81.3.6863.6000

PANDUIT LATIN AMERICA
Jalisco, Mexico
cs-la@panduit.com
Phone: 52.33.3777.6000

PANDUIT AUSTRALIA PTY. LTD.
Victoria, Australia
cs-aus@panduit.com
Phone: 61.3.9794.9020

For a copy of Panduit product warranties, log on to www.panduit.com/warranty

For more information

Visit us at www.panduit.com

Contact Customer Service by email: cs@panduit.com
or by phone: 800-777-3300 and reference FBSP39

PANDUIT®

©2009 Panduit Corp.
ALL RIGHTS RESERVED.

WW-FBSP39

9/2009

X-ON Electronics

Largest Supplier of Electrical and Electronic Components

Click to view similar products for [Wire Ducting & Raceways](#) category:

Click to view products by [Panduit](#) manufacturer:

Other Similar products are found below :

[802A-ECSP](#) [923223-000](#) [A0405538](#) [1301150342](#) [1301160034](#) [1301170070](#) [1301230083](#) [1301230153](#) [1302263103](#) [1302263178](#)
[1302263259](#) [1302263816](#) [1302264375](#) [1302264390](#) [1301150343](#) [1301160030](#) [1301170050](#) [1301170051](#) [1301230086](#) [1301230130](#)
[1301240054](#) [1302260055](#) [1302260376](#) [1302261343](#) [1302261344](#) [1302262674](#) [1302263095](#) [1302263209](#) [1302264137](#) [1302264218](#)
[AX102007](#) [AX102261](#) [AX102652](#) [AX102653](#) [AX102654](#) [AX102657](#) [AX102737](#) [NP24BK](#) [NP265W](#) [NP8LA](#) [24195-1](#) [A0405537](#) [TAPC2-](#)
[2/0-X](#) [43-215](#) [AX100383](#) [TTSL2VC3-5-Y](#) [UTPSP3GYY](#) [DD2J](#) [WMPFS](#) [5131](#)