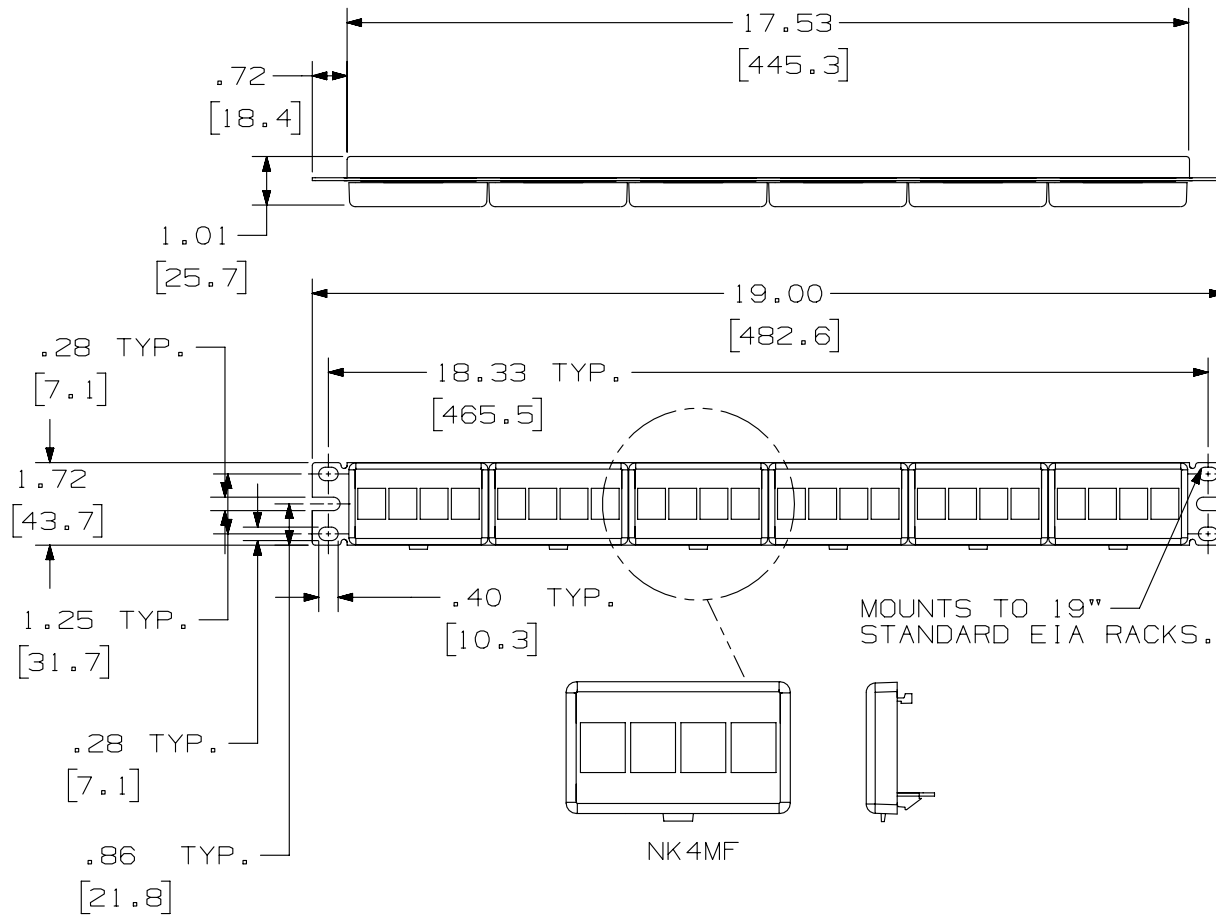
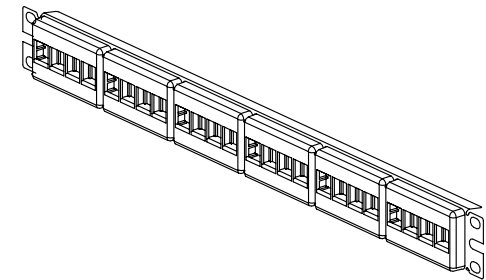


THIS COPY IS PROVIDED ON A RESTRICTED BASIS AND IS NOT TO BE USED IN ANY WAY DETRIMENTAL TO THE INTERESTS OF PANDUIT CORP.



PANDUIT PART NO.	WEIGHT
NKFP24Y	7.12 LB/10 PCS (3236 g/10 PCS)

- NOTES:
- SEE CURRENT CATALOG FOR VARIOUS APPLICATIONS WITH THIS WIRING SYSTEM.
 - PATCH PANEL IS DESIGNED FOR MOUNTING TO 19" STANDARD EIA RACKS.
 - PATCH PANELS ACCEPT ALL NETKEY MODULES.
 - DIMENSIONS IN [] ARE METRIC.
 - PART INCLUDES:
 - (1) -24 PORT STAMPING
 - (6) -FURNITURE FACEPLATE (ASSEMBLED TO STAMPING)
 - (1) -SCREW KIT (INCLUDES FOUR #12-24 SCREWS)
 - (1) -SCREW KIT (INCLUDES FOUR M6 SCREWS)



PART NUMBER		NKFP24Y		
TITLE				
NETKEY 24 PORT MODULAR FACEPLATE PATCH PANEL				
CUSTOMER DRAWING				
ITEM REVISION NAME		M02479DK/00		
DATASET FILE NAME		M02479DK_DC91/00B		
UNLESS OTHERWISE SPECIFIED, DIMENSIONAL TOLERANCES ARE: IN [mm]				
.x ±		.xxx ± .010 [.3]		
.xx ± .03 [.8]		ANGLES ±		MATERIAL: PANEL: C.R.S. FACEPLATE: ABS
		THIRD ANGLE PROJECTION		
DRAWN BY		DATE		DRAWING NUMBER: 02479-091
JSP		3-11-06		
CHK		SCALE		SHT 1 OF 1
MJD		NONE		
REV		ECN		SIZE
				A

REV	DATE	BY	CHK	APR	DESCRIPTION	ECN
1	5/19/14	JSP	REFR	JCK	A. REVISED DRAWING TITLE BLOCK.	02479-091
R	3-11-06	JSP	MJD	MJD	RELEASED TO PRODUCTION	02479-091

D10100DA/14

X-ON Electronics

Largest Supplier of Electrical and Electronic Components

Click to view similar products for [Patch Panels](#) category:

Click to view products by [Panduit](#) manufacturer:

Other Similar products are found below :

[MMVP96K2N75T](#) [MMVP96K2NNT](#) [MMVP96K2NT](#) [MMVP96K3NNT](#) [QGPK1LCM](#) [QGPK3CAT5E](#) [QGPK3CAT5ES](#) [QGPK3LC](#)
[QGPK3LCM](#) [QGPK3ST](#) [QGPK3STM](#) [DS303](#) [DS311](#) [DS317](#) [JS-16](#) [JSH-24](#) [QGPK1CAT5ES](#) [QGPK1CAT6S](#) [QGPK1LC](#) [QGPK1SC](#)
[QGPK1SCM](#) [QGPK1ST](#) [QGPK1STM](#) [QGPK3CAT6](#) [QGPK3CAT6S](#) [QGPK3SC](#) [TT91202](#) [TT91402](#) [MMVP48K275T](#) [MMVP48K2NNT](#)
[MMVP48K2NT](#) [MMVP96K275T](#) [MMVP96K375T](#) [MMVP96K3N75T](#) [JSIS-72](#) [K576](#) [DS385](#) [Switchcraft TT518](#) [TT95DC](#) [TT91002](#)
[DS368](#) [JS-36A](#) [JSI-8D2SF24](#) [JSIX-64S](#) [JS-52W](#) [JSI-40S](#) [K6004B](#) [314DI](#) [K6002D](#) [MMVPTL](#)