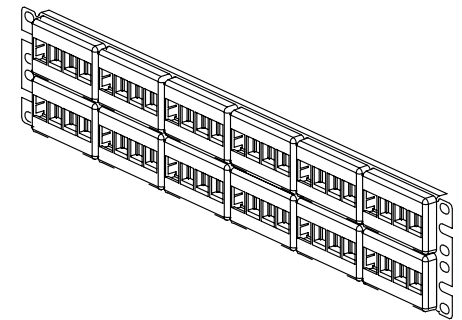
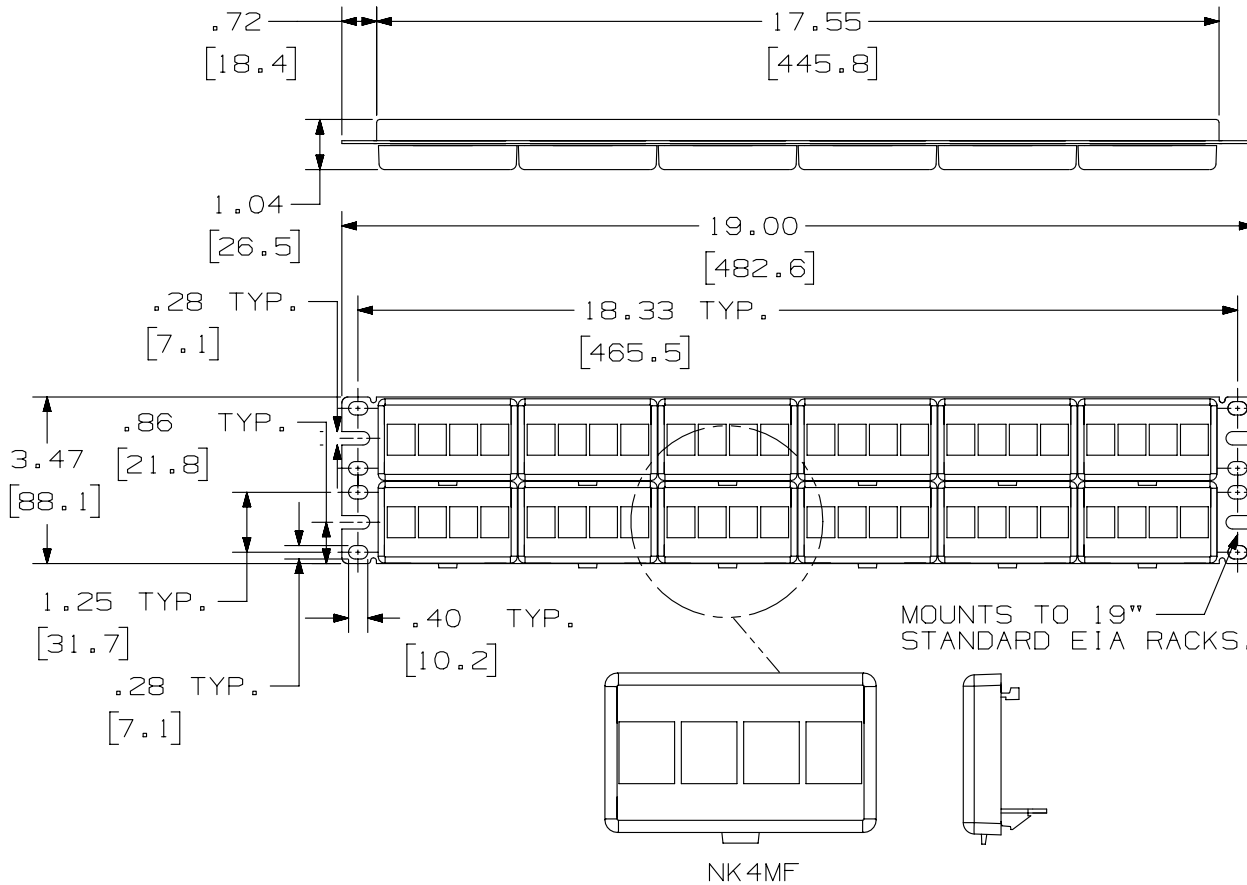


THIS COPY IS PROVIDED ON A RESTRICTED BASIS AND IS NOT TO BE USED IN ANY WAY DETRIMENTAL TO THE INTERESTS OF PANDUIT CORP.

|                  |                                   |
|------------------|-----------------------------------|
| PANDUIT PART NO. | WEIGHT                            |
| NKFP48Y          | 8.75 LB/10 PCS<br>(3970 g/10 PCS) |

NOTES:

1. SEE CURRENT CATALOG FOR VARIOUS APPLICATIONS WITH THIS WIRING SYSTEM.
2. PATCH PANEL IS DESIGNED FOR MOUNTING TO 19" STANDARD EIA RACKS.
3. PATCH PANELS ACCEPT ALL NETKEY MODULES.
4. DIMENSIONS IN [ ] ARE METRIC.
5. PART INCLUDES:
  - (1) -24 PORT STAMPING
  - (12) -FURNITURE FACEPLATE (ASSEMBLED TO STAMPING)
  - (1) -SCREW KIT (INCLUDES FOUR #12-24 SCREWS)
  - (1) -SCREW KIT (INCLUDES FOUR M6 SCREWS)



|   |         |  |       |      |
|---|---------|--|-------|------|
| PART NUMBER   |         | NKFP48Y                                      |       |      |
| TITLE   |         | NETKEY 48 PORT MODULAR FACEPLATE PATCH PANEL |       |      |
|   |         | CUSTOMER DRAWING                             |       |      |
| ITEM REVISION NAME  |         | M02479DL/00                                  |       |      |
| DATASET FILE NAME   |         | M02479DL_DC92/00B                            |       |      |
| UNLESS OTHERWISE SPECIFIED, DIMENSIONAL TOLERANCES ARE: IN [mm] |         | MATERIAL:                                    |       |      |
| .x ± .xx ± .03 [ .8 ]   |         | PANEL: C.R.S.<br>FACEPLATE: ABS              |       |      |
| ANGLES ±  |         | DRAWING NUMBER:                              |       |      |
| THIRD ANGLE PROJECTION  |         | 02479-092                                    |       |      |
| DRAWN BY  | DATE    | CHK  | SCALE | SIZE |
| JSP   | 5/20/14 | MJD  | NONE  | A    |
| REV   | DATE    | BY   | CHK   | APR  |
| 1   |         | JSP  | REFR  | JCK  |
| R   |         | JSP  | MJD   | MJD  |
| DESCRIPTION   |         | ECN  |       |      |
| A. REVISED DRAWING TITLE BLOCK.                                 |         | 02479-092                                    |       |      |
| RELEASED TO PRODUCTION  |         | 02479-092                                    |       |      |

D101000DA/14

## X-ON Electronics

Largest Supplier of Electrical and Electronic Components

*Click to view similar products for [Patch Panels](#) category:*

*Click to view products by [Panduit](#) manufacturer:*

Other Similar products are found below :

[MMVP96K2N75T](#) [MMVP96K2NNT](#) [MMVP96K2NT](#) [MMVP96K3NNT](#) [QGPK1LCM](#) [QGPK3CAT5E](#) [QGPK3CAT5ES](#) [QGPK3LC](#)  
[QGPK3LCM](#) [QGPK3ST](#) [QGPK3STM](#) [DS303](#) [DS311](#) [DS317](#) [JS-16](#) [JSH-24](#) [QGPK1CAT5ES](#) [QGPK1CAT6S](#) [QGPK1LC](#) [QGPK1SC](#)  
[QGPK1SCM](#) [QGPK1ST](#) [QGPK1STM](#) [QGPK3CAT6](#) [QGPK3CAT6S](#) [QGPK3SC](#) [TT91202](#) [TT91402](#) [MMVP48K275T](#) [MMVP48K2NNT](#)  
[MMVP48K2NT](#) [MMVP96K275T](#) [MMVP96K375T](#) [MMVP96K3N75T](#) [JSIS-72](#) [K576](#) [DS385](#) [Switchcraft TT518](#) [TT95DC](#) [TT91002](#)  
[DS368](#) [JS-36A](#) [JSI-8D2SF24](#) [JSIX-64S](#) [JS-52W](#) [JSI-40S](#) [K6004B](#) [314DI](#) [K6002D](#) [MMVPTL](#)