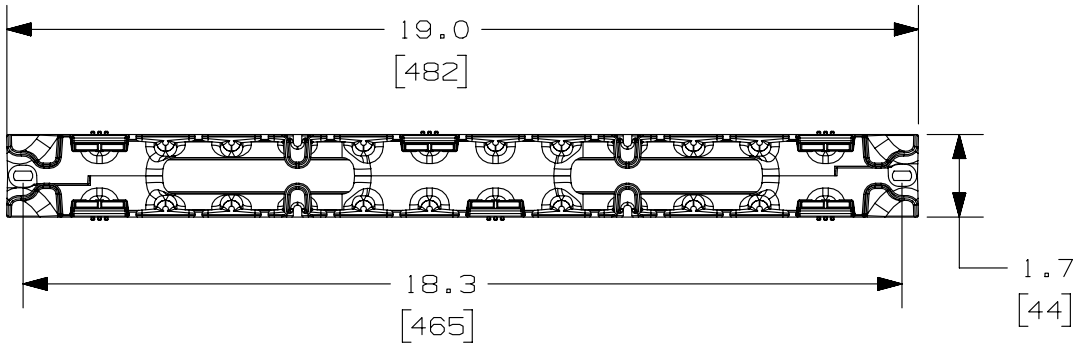


THIS COPY IS PROVIDED ON A RESTRICTED BASIS AND IS NOT TO BE USED IN ANY WAY DETRIMENTAL TO THE INTERESTS OF PANDUIT CORP.

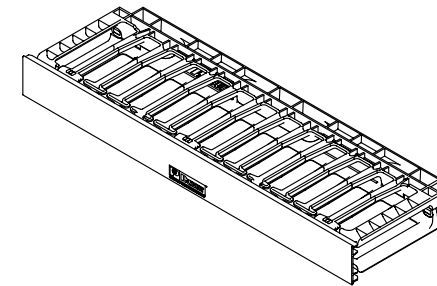
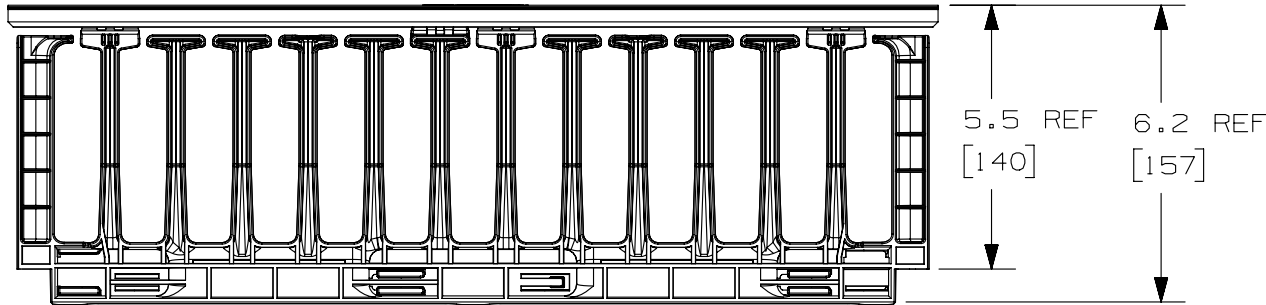


PANDUIT P/N	WEIGHT
NMF1 NMF1WH	1.1 LBS/EACH 513 g/EACH

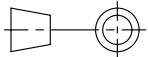


NOTES:

- VISIT OUR ON-LINE CATALOG AT WWW.PANDUIT.COM FOR A CURRENT LIST OF PRODUCTS APPLICABLE FOR USE WITH THIS PART.
- COMPONENTS:
1- 1 RU MANAGER (FRONT ONLY)
1- 1 RU 19" COVER
- DIMENSIONS IN PARENTHESES ARE METRIC.



REV	DATE	BY	CHK	APR	DESCRIPTION	ECN
02A	10/14/14	FGR			A. P/N NMF1WH ADDED	V09000AS
01C	9-17-13	FGR			DRAWING UPDATED	
01B	4-1-13	RYB			REDRAWN, REMOVED OLD REVISIONS	

TITLE NMF1 CABLE MANAGER CUSTOMER DRAWING					
ITEM REVISION NAME V10404AH/02				PANDUIT	
DATASET FILE NAME V10404AH_DC/02A					
UNLESS OTHERWISE SPECIFIED, DIMENSIONAL TOLERANCES ARE: IN (mm)				MATERIAL: MANAGER: ABS 1RU COVER: PVC	
 THIRD ANGLE PROJECTION				DRAWING NUMBER: 10404-15	
DRAWN BY BAME	DATE 3-6-07	CHK TCK	SCALE NONE	SHT 1 OF 1	SIZE A

D10100DA/15

X-ON Electronics

Largest Supplier of Electrical and Electronic Components

Click to view similar products for [Racks & Rack Cabinet Accessories](#) category:

Click to view products by [Panduit](#) manufacturer:

Other Similar products are found below :

[M00-PLN](#) [F2424](#) [8351-832-A-24](#) [9104](#) [9105](#) [PLFF2000](#) [H-9163-B](#) [1427C3](#) [HTS10](#) [PC-79](#) [SC10-3A](#) [SC4-28](#) [CG3-340S/12](#) [CP-001BK](#)
[M6123-4007-SS](#) [AX61400TB](#) [TS170](#) [LP40](#) [5261304-07](#) [CG3-160G](#) [7112C-PLN](#) [ALUM](#) [CM10](#) [8610-3124-S-26](#) [TS81](#) [7142](#) [GP134](#)
[M6125-4007-A-24](#) [M6127-4007-SS](#) [PBCOVER](#) [512](#) [AEG-4000G](#) [AEG-3000G](#) [HD99](#) [SR2-66A2](#) [FP10B4HP-1](#) [FP52-2](#) [1406-1006-01](#)
[29478](#) [TS2535](#) [TS169-6](#) [CAC2](#) [HA19-3U](#) [BR-19-10-1](#) [TS180](#) [CG3-ESD](#) [SC11-1](#) [CFS-1.00/2.20](#) [AX6145WM](#) [HEC0800PB](#) [ZC633R](#)