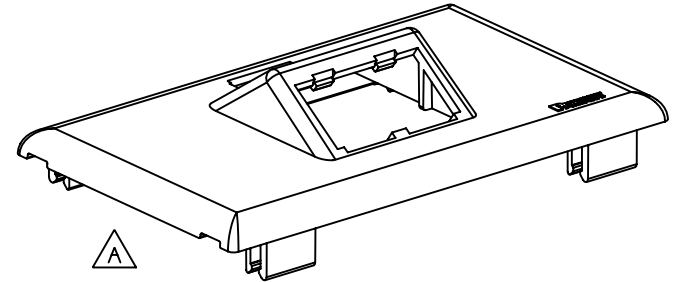
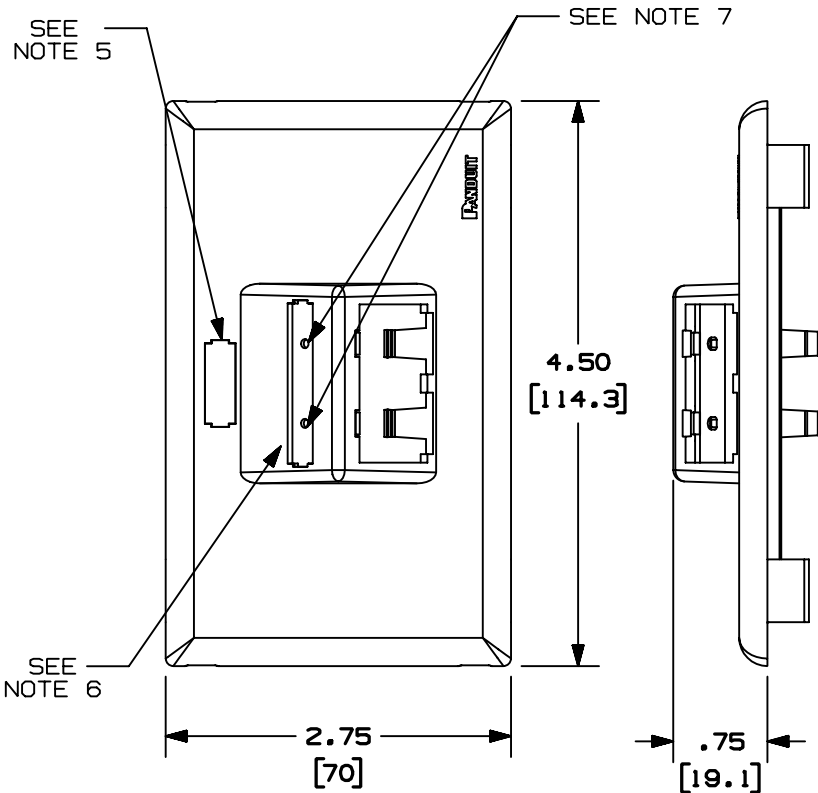


THIS COPY IS PROVIDED ON A RESTRICTED BASIS AND IS NOT TO BE USED IN ANY WAY DETRIMENTAL TO THE INTERESTS OF PANDUIT CORP.

PANDUIT P/N	WEIGHT
UIT70FH2	.07 LB/PC (35g/PC)
OF70FH2	

**NOTES:**

1. SEE CURRENT CATALOG FOR ADDITIONAL PART SUFFIXES TO INDICATE COLOR AND OR PACKAGE QUANTITY.
2. THE UIT70FH2 ACCEPTS TWO (2) MINI-COM MODULES.
3. DIMENSIONS IN PARENTHESIS ARE IN METRIC.
4. THE UIT70FH2 FACEPLATE CAN BE USED WITH PANDUIT SURFACE RACEWAY SYSTEMS AND BOXES THAT ACCEPT 70mm SNAP-ON FACEPLATES (INCLUDES: T-70, TWIN-70, TE70, TG-70, ETC.)
5. POCKET TO BE USED WITH PANDUIT PART NUMBER UILC1\*\*.
6. POCKET TO BE USED WITH PANDUIT PART NUMBER UILC2\*\*.
7. POCKETS TO BE USED WITH PANDUIT PART NUMBER UICIB\*\*, UICIP\*\*, OR UICID\*\*.
8. THE OF70FH2 CAN BE USED WITH PANDUIT OFFICE FURNITURE DESK MOUNT BOX (OFR20DMB)



CAD FILENAME/LAYERS D38316BB\_DC\_UIT70FH2\_01B.prt

**PANDUIT** CORP TINLEY PARK, ILLINOIS

ULTIMATE I.D. TWO MINI-COM MODULE  
HORIZONTAL SLOPED SNAP-ON FACEPLATE  
(UIT70FH2 & OF70FH2)  
CUSTOMER DRAWING

UNLESS OTHERWISE SPECIFIED, DIMENSIONAL TOLERANCES ARE:  
(.X) ± (.XXX) ±  
(.XX) ± .03(.8) ANGLES ±

UNLESS OTHERWISE SPECIFIED, ALL DIMENSIONS ARE GIVEN IN INCHES, THIRD ANGLE PROJECTION.

REV	DATE	BY	CHK	DESCRIPTION	ECN	R	CUST	SUP	GMBH
2	04-25-03	JBN	PM	D. ADDED NOTE 8 C. ADDED PART NUMBER OF70FH2	38316-05	RGRO	RGRO		
1	07-10-02	JHEP	RGRO	B. REVISED NOTE 5 A. REVISED MODEL	38316-05	RGRO			
R	12-06-01	MSO	CEO	RELEASED TO PRODUCTION	38316-05	RGRO			

DRAWN BY MSO	MAT'L: PVC	SCALE NONE
DATE 12-06-01	CHK'D CEO	DRAWING NO. 38316-05
		DWG A SIZE

## X-ON Electronics

Largest Supplier of Electrical and Electronic Components

*Click to view similar products for [Wire Ducting](#) category:*

*Click to view products by [Panduit](#) manufacturer:*

Other Similar products are found below :

[66200A-10](#) [CVED32VEPG](#) [CVED40VEPG](#) [F512D5-5F140Y](#) [F512D5-5F200Y](#) [F512D5-5F26Y](#) [F512D5-5F30Y](#) [F512D5-5F33Y](#) [F512D5-5F34Y](#) [F512D5-5F45Y](#) [F512D5-5F50Y](#) [F512D5-5F54Y](#) [F512D5-5F66Y](#) [F512D5-5F70Y](#) [F512D5-5F75Y](#) [F512D5-5F90Y](#) [F612D5-5F100Y](#) [F612D5-5F130Y](#) [F612D5-5F50Y](#) [F612D5-5F56Y](#) [F612D5-5F58Y](#) [F6L12D5-5F46](#) [F912D5-5F11Y](#) [F912D5-5F170Y](#) [F912D5-5F175Y](#) [F912D5-5F230Y](#) [F912D5-5F300Y](#) [F912D5-5F55Y](#) [F912D5-5F56Y](#) [F912D5-5F63Y](#) [F912D5-5F6Y](#) [F912D5-5F75Y](#) [F912D5-5F85Y](#) [F912D5-5F86Y](#) [F912D5-5F88Y](#) [F912D5-5F96Y](#) [FAP0047WBLMTP](#) [FAP12WBRDRDDLZ](#) [FAP12WDYLYLDLZ](#) [FAP12WEORORDLZ](#) [FAP6WEORORDLZ](#) [FAP6WFDBDBDLZ](#) [FAP8WEORORDLZ](#) [FCE2UWCL](#) [800A-LB](#) [802A-ECSP](#) [802I-ICSP](#) [FJQADH](#) [FJQFXT](#) [PED10](#)