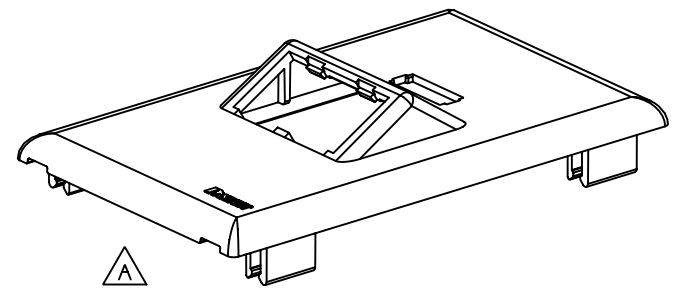
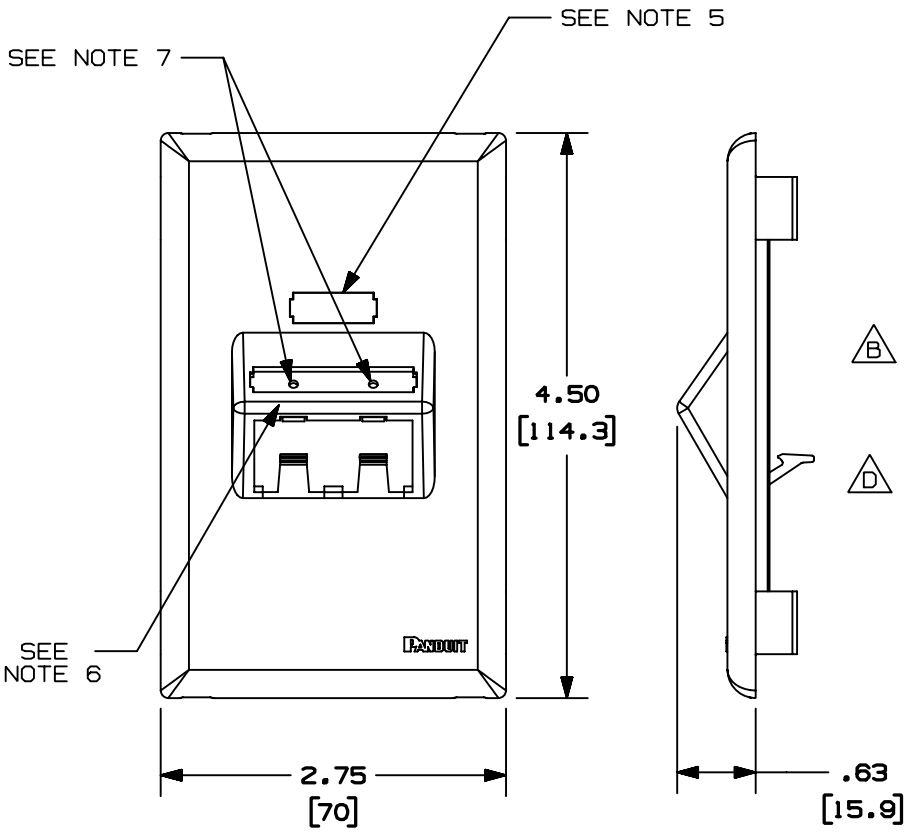


THIS COPY IS PROVIDED ON A RESTRICTED BASIS AND IS NOT TO BE USED IN ANY WAY DETRIMENTAL TO THE INTERESTS OF PANDUIT CORP.

PANDUIT P/N	WEIGHT
UIT70FV2	.07 LB/PC (35g/PC)
OF70FV2	

△  
**NOTES:**

1. SEE CURRENT CATALOG FOR ADDITIONAL PART SUFFIXES TO INDICATE COLOR AND OR PACKAGE QUANTITY.
2. THE UIT70FV2 ACCEPTS TWO (2) MINI-COM MODULES.
3. DIMENSIONS IN PARENTHESIS ARE IN METRIC.
4. THE UIT70FV2 FACEPLATE CAN BE USED WITH PANDUIT SURFACE RACEWAY SYSTEMS AND BOXES THAT ACCEPT 70mm SNAP-ON FACEPLATES (INCLUDES: T-70, TWIN-70, TE70, TG-70, ETC.)
5. POCKET TO BE USED WITH PANDUIT PART NUMBER UILC1\*\*.
6. POCKET TO BE USED WITH PANDUIT PART NUMBER UILC2\*\*.
7. POCKETS TO BE USED WITH PANDUIT PART NUMBER UICIB\*\*, UICIP\*\*, OR UICID\*\*.
8. THE OF70FV2 FACEPLATE CAN BE USED WITH PANDUIT OFFICE FURNITURE CORNER RACEWAY.



CAD FILENAME/LAYERS D38316BD\_DC\_UIT70FV2\_01B.prt

**PANDUIT** CORP TINLEY PARK, ILLINOIS

△  
ULTIMATE I.D. TWO MINI-COM MODULE  
VERTICAL SLOPED SNAP-ON FACEPLATE  
(UIT70FV2 & OF70FV2)  
CUSTOMER DRAWING

UNLESS OTHERWISE SPECIFIED,  
DIMENSIONAL TOLERANCES ARE:  
(.X) ± (.XXX) ±  
(.XX) ± .03(.8) ANGLES ±

UNLESS OTHERWISE SPECIFIED,  
ALL DIMENSIONS ARE GIVEN IN  
INCHES, THIRD ANGLE PROJECTION.

REV	DATE	BY	CHK	DESCRIPTION	ECN	R	CUST	SUP	GMBH
2	04-25-03	JBN	PM	D. ADDED NOTE 8 C. ADDED PART NUMBER OF70FV2	38316-07	RGRO	RGRO		
1	07-10-02	JHEP	RGRO	B. REVISED NOTE 5 A. REVISED MODEL	38316-07	RGRO			
R	12-06-01	MSO	CEO	RELEASED TO PRODUCTION	38316-07	RGRO			

DRAWN BY MSO	MAT'L: PVC	SCALE NONE
DATE 12-06-01	CHK'D CEO	DRAWING NO. 38316-07
		DWG A SIZE

## X-ON Electronics

Largest Supplier of Electrical and Electronic Components

*Click to view similar products for [Wire Ducting & Raceways](#) category:*

*Click to view products by [Panduit](#) manufacturer:*

Other Similar products are found below :

[800A-LB](#) [801I-LSP](#) [802A-ECSP](#) [802I-ICSP](#) [923223-000](#) [PRAF6WH-X](#) [A0405538](#) [1301150342](#) [1301160034](#) [1301170070](#) [1301180011](#)  
[1301230083](#) [1301230153](#) [1301240273](#) [1301250006](#) [1302261238](#) [1302261321](#) [1302262552](#) [1302263103](#) [1302263178](#) [1302263259](#)  
[1302263816](#) [1302263860](#) [1302264375](#) [1302264390](#) [1301150343](#) [1301160030](#) [1301170050](#) [1301170051](#) [1301170061](#) [1301180013](#)  
[1301230086](#) [1301230130](#) [1301240054](#) [1302260055](#) [1302260376](#) [1302261343](#) [1302261344](#) [1302262674](#) [1302263095](#) [1302263166](#)  
[1302263209](#) [1302263513](#) [1302263851](#) [1302263870](#) [1302264137](#) [1302264218](#) [DD1/J](#) [AX101472](#) [AX102007](#)