

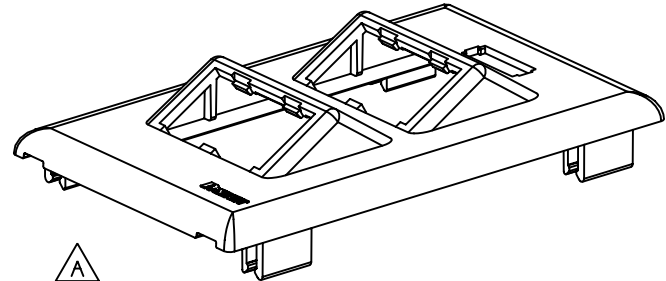
THIS COPY IS PROVIDED ON A RESTRICTED BASIS AND IS NOT TO BE USED IN ANY WAY DETRIMENTAL TO THE INTERESTS OF PANDUIT CORP.

| PANDUIT P/N | WEIGHT |
|-------------|---------------------|
| UIT70FV4 | .07 LB/PC (35 g/PC) |
| OF70FV4 | |

△ C

NOTES:

1. SEE CURRENT CATALOG FOR ADDITIONAL PART SUFFIXES TO INDICATE COLOR AND OR PACKAGE QUANTITY.
2. THE UIT70FV4 ACCEPTS FOUR (4) MINI-COM MODULES.
3. DIMENSIONS IN PARENTHESIS ARE IN METRIC.
4. THE UIT70FV4 FACEPLATE CAN BE USED WITH PANDUIT SURFACE RACEWAY SYSTEMS AND BOXES THAT ACCEPT 70mm SNAP-ON FACEPLATES (INCLUDES: T-70, TWIN-70, TE70, TG-70, ETC.)
5. POCKET TO BE USED WITH PANDUIT PART NUMBER UILC1**.
6. POCKET TO BE USED WITH PANDUIT PART NUMBER UILC2**.
7. POCKETS TO BE USED WITH PANDUIT PART NUMBER UICIB**, UICIP**, OR UICID**.
8. THE OF70FV4 FACEPLATE CAN BE USED WITH PANDUIT OFFICE FURNITURE CORNER RACEWAY.



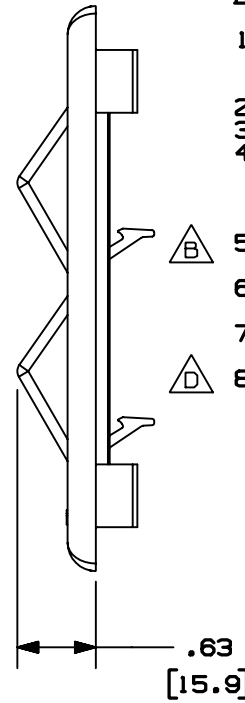
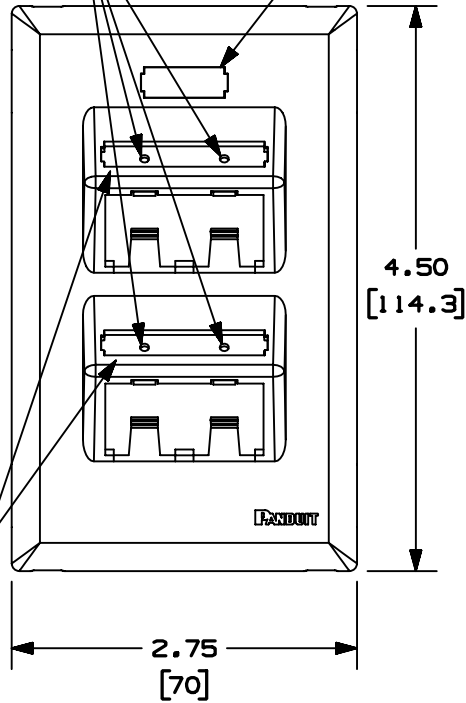
△ A

SEE NOTE 7

SEE NOTE 5

SEE NOTE 7

SEE NOTE 6



△ B

△ D

CAD FILENAME/LAYERS D38316BC_DC_UIT70FV4_01B.prt

PANDUIT CORP TINLEY PARK, ILLINOIS

△ C
ULTIMATE I.D. FOUR MINI-COM MODULE VERTICAL SLOPED SNAP-ON FACEPLATE (UIT70FV4 & OF70FV4)
 CUSTOMER DRAWING

UNLESS OTHERWISE SPECIFIED, DIMENSIONAL TOLERANCES ARE:
 (.X) ± (.XXX) ±
 (.XX) ± .03(.8) ANGLES ±

UNLESS OTHERWISE SPECIFIED, ALL DIMENSIONS ARE GIVEN IN INCHES, THIRD ANGLE PROJECTION.

| | | | | | | | |
|---|----------|-----|----|---|----------|------|------|
| 2 | 04-23-03 | JBN | PM | D. ADDED NOTE 8 C. ADDED PART NUMBER OF70FV4 | 38316-08 | RGRO | RGRO |
|---|----------|-----|----|---|----------|------|------|

| | | | | | | | |
|---|----------|------|------|---------------------------------------|----------|------|--|
| 1 | 07-10-02 | JHEP | RGRO | B. REVISED NOTE 5 A. REVISED MODEL | 38316-08 | RGRO | |
|---|----------|------|------|---------------------------------------|----------|------|--|

| | | | | | | | |
|---|----------|-----|-----|------------------------|----------|------|--|
| R | 12-06-01 | MSO | CEO | RELEASED TO PRODUCTION | 38316-08 | RGRO | |
|---|----------|-----|-----|------------------------|----------|------|--|

| REV | DATE | BY | CHK | DESCRIPTION | ECN | R | CUST | SUP | GMBH |
|-----|------|----|-----|-------------|-----|---|------|-----|------|
|-----|------|----|-----|-------------|-----|---|------|-----|------|

DRAWN BY MSO

MAT'L: PVC

SCALE NONE

DATE 12-06-01

CHK'D CEO

DRAWING NO. 38316-08

DWG SIZE A

X-ON Electronics

Largest Supplier of Electrical and Electronic Components

Click to view similar products for [Wire Ducting](#) category:

Click to view products by [Panduit](#) manufacturer:

Other Similar products are found below :

[66200A-10](#) [CVED32VEPG](#) [CVED40VEPG](#) [F512D5-5F140Y](#) [F512D5-5F200Y](#) [F512D5-5F26Y](#) [F512D5-5F30Y](#) [F512D5-5F33Y](#) [F512D5-5F34Y](#) [F512D5-5F45Y](#) [F512D5-5F50Y](#) [F512D5-5F54Y](#) [F512D5-5F66Y](#) [F512D5-5F70Y](#) [F512D5-5F75Y](#) [F512D5-5F90Y](#) [F612D5-5F100Y](#) [F612D5-5F130Y](#) [F612D5-5F50Y](#) [F612D5-5F56Y](#) [F612D5-5F58Y](#) [F6L12D5-5F46](#) [F912D5-5F11Y](#) [F912D5-5F170Y](#) [F912D5-5F175Y](#) [F912D5-5F230Y](#) [F912D5-5F300Y](#) [F912D5-5F55Y](#) [F912D5-5F56Y](#) [F912D5-5F63Y](#) [F912D5-5F6Y](#) [F912D5-5F75Y](#) [F912D5-5F85Y](#) [F912D5-5F86Y](#) [F912D5-5F88Y](#) [F912D5-5F96Y](#) [FAP0047WBLMTP](#) [FAP12WBRDRDDLZ](#) [FAP12WDYLYLDLZ](#) [FAP12WEORORDLZ](#) [FAP6WEORORDLZ](#) [FAP6WFDBDBDLZ](#) [FAP8WEORORDLZ](#) [FCE2UWCL](#) [800A-LB](#) [802A-ECSP](#) [802I-ICSP](#) [FJQADH](#) [FJQFXT](#) [PED10](#)