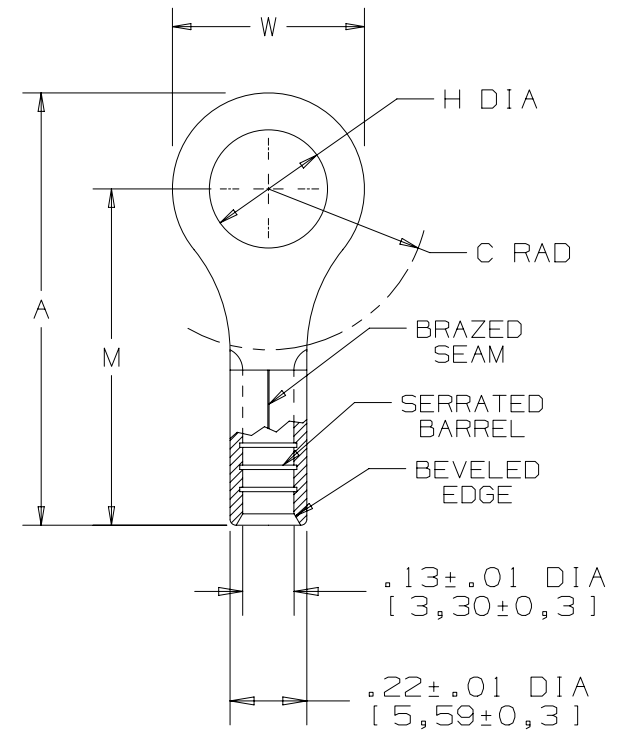


THIS COPY IS PROVIDED ON A RESTRICTED BASIS AND IS NOT TO BE USED IN ANY WAY DETRIMENTAL TO THE INTERESTS OF PANDUIT CORP.

PANDUIT PART #	STUD SIZE	DIMENSIONS - in. [mm]				
		A ± .02 [0,5]	W ± .01 [0,3]	C ± .02 [0,5]	M ± .02 [0,5]	H ± .01 [0,3]
P10-6RHT6	#6	.78 [19,81]	.31 [7,87]	.35 [8,89]	.62 [15,75]	.15 [3,81]
P10-8RHT6	#8	.78 [19,81]	.31 [7,87]	.35 [8,89]	.62 [15,75]	.17 [4,32]
P10-10RHT6	#10	.81 [20,57]	.38 [9,65]	.33 [8,38]	.62 [15,75]	.20 [5,08]
P10-14RHT6	1/4"	.96 [24,38]	.53 [13,46]	.42 [10,67]	.70 [17,78]	.27 [6,86]

UL TOOLS
CT-100A
CT-200
CT-600-A (CT-570CH)
CT-1570
CT-1701 (P10)
CT-2500 (CT-2570CH)

PANDUIT APPROVED TOOLS
CT-160
CT-260



NOTES:

- UL LISTED FOR:
 - A. #14-10 AWG SOLID OR STRANDED COPPER WIRE
 - B. 650°F [343°C] MAX TEMP RATING
 - C. 2000 VOLTS MAX
- MATERIAL:
 - A. STAMPING - .04" [1,02] THK COPPER, NICKEL PLATED
- SEE www.panduit.com FOR PACKAGE QUANTITIES
- DIMENSIONS IN BRACKETS ARE IN MILLIMETERS
- WIRE STRIP LENGTH: $9/32" \begin{smallmatrix} +1/32 \\ -0 \end{smallmatrix} [7,1mm \begin{smallmatrix} +0,8 \\ -0 \end{smallmatrix}]$



TITLE		#14-10 BARREL NON INSULATED RING TONGUE, HIGH TEMPERATURE, 650° F	
		CUSTOMER DRAWING	
ITEM REVISION NAME		N41267BA/03	
DATASET FILE NAME		N41267BA/03	
UNLESS OTHERWISE SPECIFIED, DIMENSIONAL TOLERANCES ARE: IN [mm]		MATERIAL:	
.X ±		.XXX ±	
.XX ±		ANGLES ±	
		THIRD ANGLE PROJECTION	
DRAWN BY		DRAWING NUMBER:	
EJD		A41267	
DATE	CHK	SCALE	SHT 1 OF 1
		N/A	A

REV	DATE	BY	CHK	APR	DESCRIPTION	ECN
03	5/17	JHNU	TMR	RGB	UPDATED TOOL CHART FORMAT	N41267BA-DC
02	1/15	JHNU	TMR	RGB	ADDED cULus LOGO REVISED TITLE BLOCK	N41267BA-DC

D10100DA/16

X-ON Electronics

Largest Supplier of Electrical and Electronic Components

Click to view similar products for [Terminals](#) category:

Click to view products by [Panduit](#) manufacturer:

Other Similar products are found below :

[00-054007-01074-6](#) [00-054007-70206-1](#) [00-054007-70210-8](#) [00-054007-70217-7](#) [00-054007-70226-9](#) [00-054007-70228-3](#) [00-054007-70248-1](#) [00-054007-70256-6](#) [00-054007-70301-3](#) [00-054007-70316-7](#) [0-0320562-0](#) [00-054007-49560-4](#) [00-054007-70209-2](#) [00-054007-70225-2](#) [00-054007-70227-6](#) [00-054007-70231-3](#) [00-054007-70241-2](#) [00-054007-70242-9](#) [00-054007-70244-3](#) [00-054007-70246-7](#) [00-054007-70263-4](#) [00-054007-70288-7](#) [00-054007-70290-0](#) [00-054007-70300-6](#) [00-054007-70304-4](#) [01-2065-1-0216](#) [01-2900-1-04412](#) [00581P0075](#) [600TS-10](#) [60205-1](#) [604200-1](#) [605601-1](#) [60598-1-CUT-TAPE](#) [61314-6-C](#) [61810-3](#) [61-S](#) [61-SN](#) [626-0194](#) [62-NBM-A](#) [62-SN](#) [62-SP](#) [640179-1](#) [M55155/059I03](#) [M55155/079C01](#) [M55155/099H02](#) [M55155/109H01](#) [M55155/109H02](#) [M55155/12XH05](#) [M55155/16XH02](#) [M55155/29-5S](#)