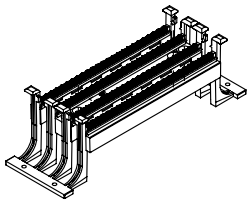


THIS COPY IS PROVIDED ON A RESTRICTED BASIS AND IS NOT TO BE USED IN ANY WAY DETRIMENTAL TO THE INTERESTS OF PANDUIT CORP.

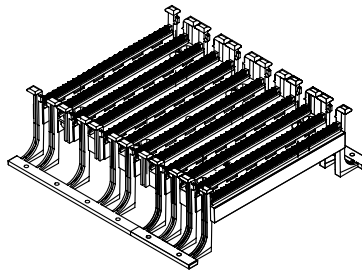
PART NO.	COMPONENT QUANTITY PER FIELD TERMINATED KITS (SEE NOTE 3)						WEIGHT LBS
	BASES		CONNECTING BLOCKS		LABEL HOLDERS	LABELS	
	P110BW100	P110BW300	P110CB4	P110CB5	P110LH	DSL110	
P110KB1004Y	1	-	20	4	2	2	.9
P110KB1005Y	1	-	-	20	2	2	.9
P110KB3004Y	-	1	60	12	6	6	2.3
P110KB3005Y	-	1	-	60	6	6	2.3

NOTES:

- IT IS COMMON PRACTICE TO COMPLETELY FILL EACH 25-PAIR WIRE STRIP WITH CONNECTING BLOCKS. EACH KIT CONTAINS THE ADEQUATE NUMBER OF CONNECTING BLOCKS TO DO SO. EXAMPLE: P110KB1004 INCLUDES FIVE 4-PAIR AND ONE 5-PAIR CONNECTING BLOCKS PER 25-PAIR WIRE STRIP FOR A TOTAL OF TWENTY 4-PAIR AND FOUR 5-PAIR CONNECTING BLOCKS, AS WELL AS TWO LABEL HOLDERS AND TWO WHITE DESIGNATION LABELS.
- WIRE SEPARATOR MARKED ACCORDING TO 25-PAIR TIP COLOR SCHEME.
- REFERENCE INDIVIDUAL CUSTOMER DRAWINGS FOR COMPONENT DETAILS.



LOCATED ON SHEET 2



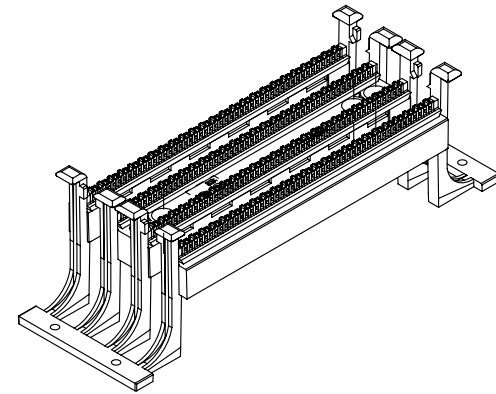
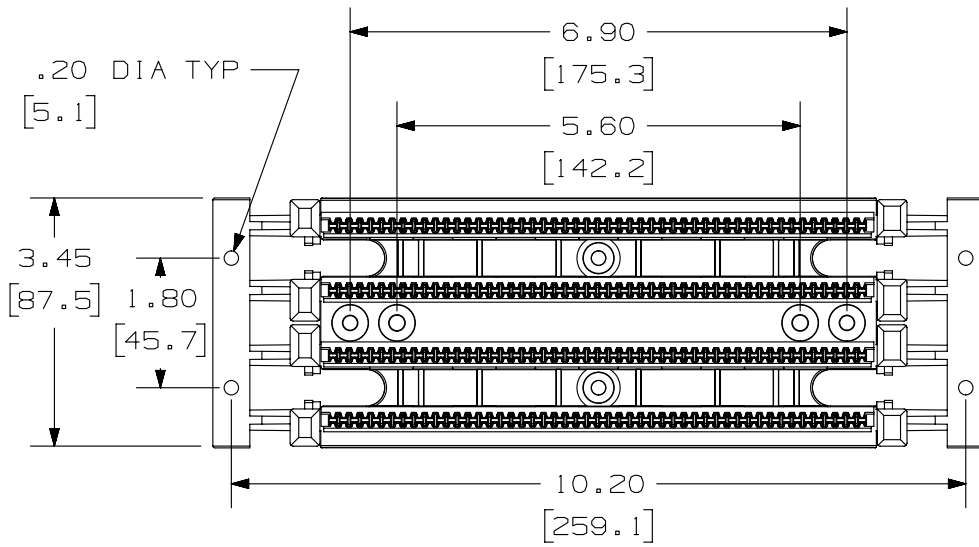
LOCATED ON SHEET 3



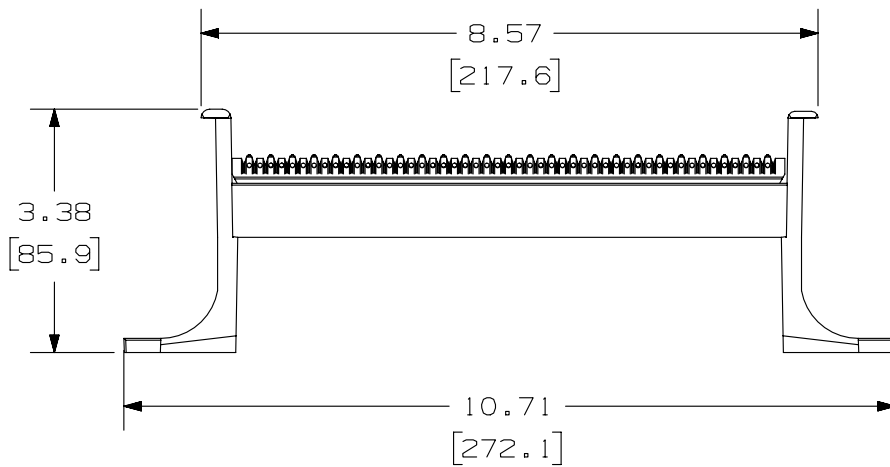
PART NUMBER		P110KB*00*Y	
TITLE			
FIELD TERMINATED 110 SYSTEM KITS WITH 4/5 PAIR		CONNECTING BLOCK	
CUSTOMER DRAWING			
ITEM REVISION NAME		M02479MH/00	
DATASET FILE NAME		M02479MH_DC321/00C	
UNLESS OTHERWISE SPECIFIED, DIMENSIONAL TOLERANCES ARE: IN [mm]		MATERIAL:	
.x ± .xxx ± .010 [.3]		DRAWING NUMBER:	
.xx ± .03 [.8]		02479-321	
ANGLES ±		THIRD ANGLE PROJECTION	
DRAWN BY	DATE	CHK	SCALE
NER	3-28-06	WJC	NONE
REV	DATE	BY	CHK
2	5-28-14	MDJR	REFR
APR	DESCRIPTION		ECN
MMR	A. UPDATED TITLE BLOCK AND ADDED ISO VIEWS ON ALL SHEETS. PREVIOUS REVISIONS HAVE BEEN REMOVED FOR CLARITY.		02479-321
SHT 1 OF 3		SIZE	
SHT 1 OF 3		A	

D10100DA/14

THIS COPY IS PROVIDED ON A RESTRICTED BASIS AND IS NOT TO BE USED IN ANY WAY DETRIMENTAL TO THE INTERESTS OF PANDUIT CORP.



100 PAIR BASE SHOWN



PART NUMBER		P110KB*00*Y	
TITLE			
FIELD TERMINATED 110 SYSTEM KITS WITH 4/5 PAIR		CONNECTING BLOCK	
CUSTOMER DRAWING			
ITEM REVISION NAME		M02479MH/00	
DATASET FILE NAME		M02479MH_DC321/00C	
UNLESS OTHERWISE SPECIFIED, DIMENSIONAL TOLERANCES ARE: IN [mm]		MATERIAL:	
.x ± .xx ± .03 [.8]		.xxx ± .010 [.3]	
ANGLES ±		DRAWING NUMBER:	
THIRD ANGLE PROJECTION		02479-321	
DRAWN BY	DATE	CHK	SCALE
NER	3-28-06	WJC	NONE
SHT 2 OF 3			SIZE
			A

2	5-28-14	MDJR	REFR	MMR	SEE SHEET 1 OF 3 FOR CHANGES.	02479-321
REV	DATE	BY	CHK	APR	DESCRIPTION	ECN

D10100DA/14

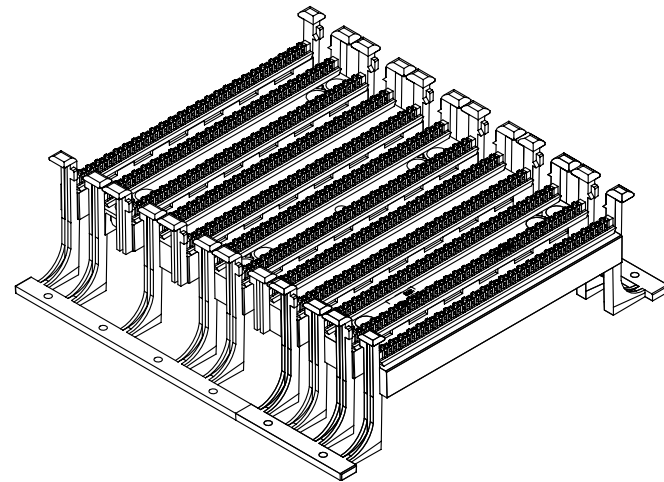
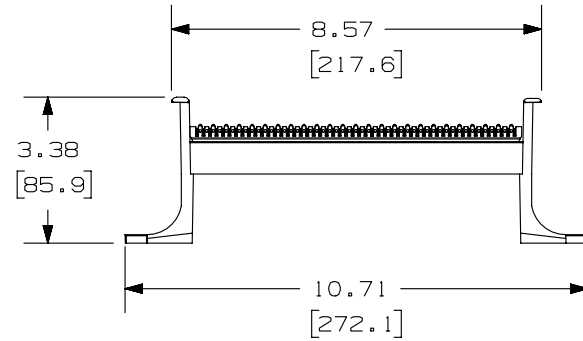
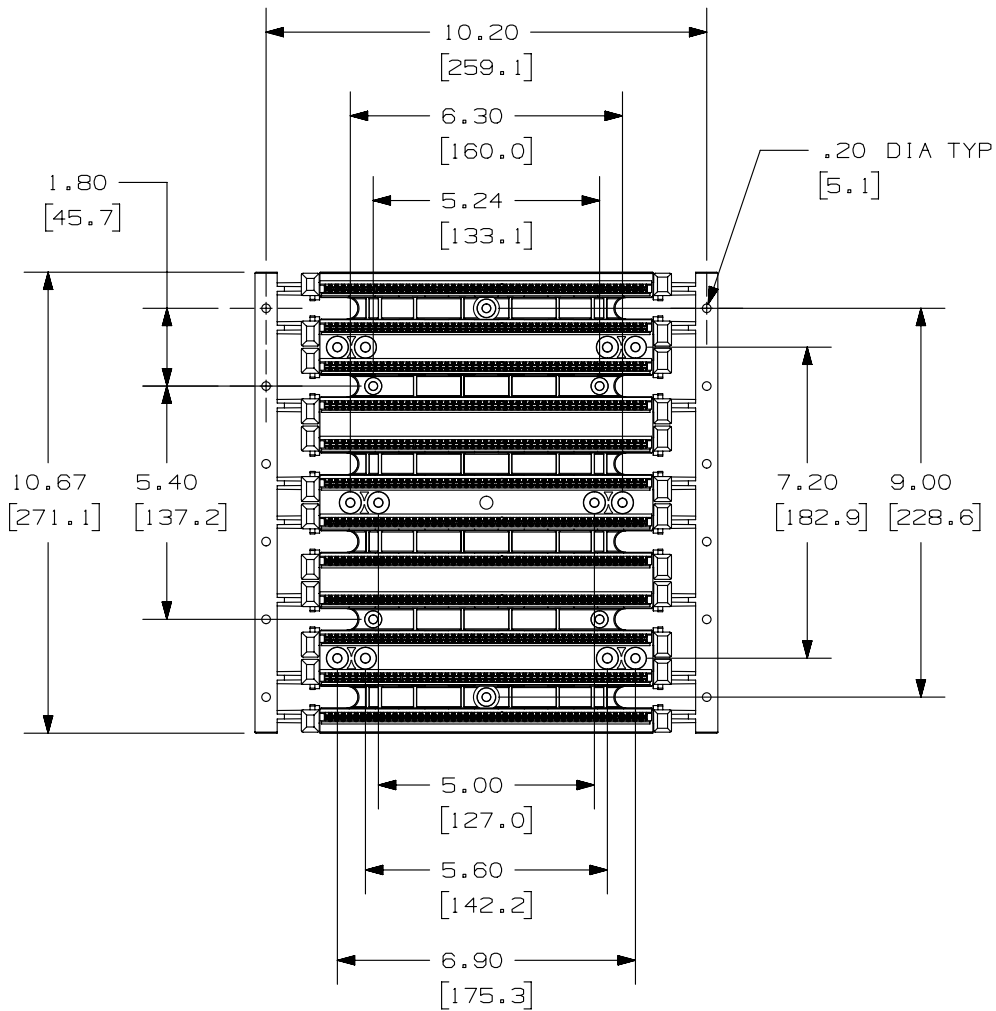
2

1

2

1

THIS COPY IS PROVIDED ON A RESTRICTED BASIS AND IS NOT TO BE USED IN ANY WAY DETRIMENTAL TO THE INTERESTS OF PANDUIT CORP.



300 PAIR BASE SHOWN

PART NUMBER		P110KB*00*Y	
TITLE			
FIELD TERMINATED 110 SYSTEM KITS WITH 4/5 PAIR		CONNECTING BLOCK	
CUSTOMER DRAWING			
ITEM REVISION NAME		M02479MH/00	
DATASET FILE NAME		M02479MH_DC321/00C	
UNLESS OTHERWISE SPECIFIED, DIMENSIONAL TOLERANCES ARE: IN [mm]		MATERIAL:	
.x ±		.xxx ± .010 [.3]	
.xx ± .03 [.8]		ANGLES ±	
DRAWN BY		THIRD ANGLE PROJECTION	
DATE		DRAWING NUMBER:	
3-28-06		02479-321	
CHK	SCALE	SHT 3 OF 3	SIZE
WJC	NONE		A

2	5-28-14	MDJR	REFR	MMR	SEE SHEET 1 OF 3 FOR CHANGES.	02479-321
REV	DATE	BY	CHK	APR	DESCRIPTION	ECN

D10100DA/14

X-ON Electronics

Largest Supplier of Electrical and Electronic Components

Click to view similar products for [Racks & Rack Cabinet Accessories](#) category:

Click to view products by [Panduit](#) manufacturer:

Other Similar products are found below :

[M00-PLN](#) [F2424](#) [8351-832-A-24](#) [9104](#) [9105](#) [PLFF2000](#) [H-9163-B](#) [1427C3](#) [HTS10](#) [PC-79](#) [SC10-3A](#) [SC4-28](#) [CG3-340S/12](#) [CP-001BK](#)
[M6123-4007-SS](#) [AX61400TB](#) [TS170](#) [LP40](#) [5261304-07](#) [CG3-160G](#) [7112C-PLN](#) [ALUM](#) [CM10](#) [8610-3124-S-26](#) [TS81](#) [7142](#) [GP134](#)
[M6125-4007-A-24](#) [M6127-4007-SS](#) [PBCOVER](#) [512](#) [AEG-4000G](#) [AEG-3000G](#) [HD99](#) [SR2-66A2](#) [FP10B4HP-1](#) [FP52-2](#) [1406-1006-01](#)
[29478](#) [TS2535](#) [TS169-6](#) [CAC2](#) [HA19-3U](#) [BR-19-10-1](#) [TS180](#) [CG3-ESD](#) [SC11-1](#) [CFS-1.00/2.20](#) [AX6145WM](#) [HEC0800PB](#) [ZC633R](#)