

THIS COPY IS PROVIDED ON A RESTRICTED BASIS AND IS NOT TO BE USED IN ANY WAY DETRIMENTAL TO THE INTERESTS OF PANDUIT CORP.

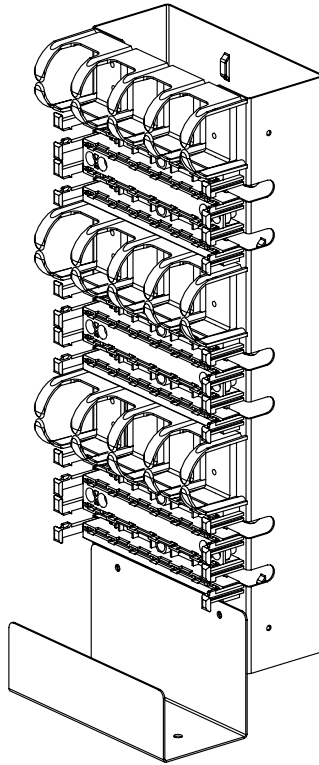
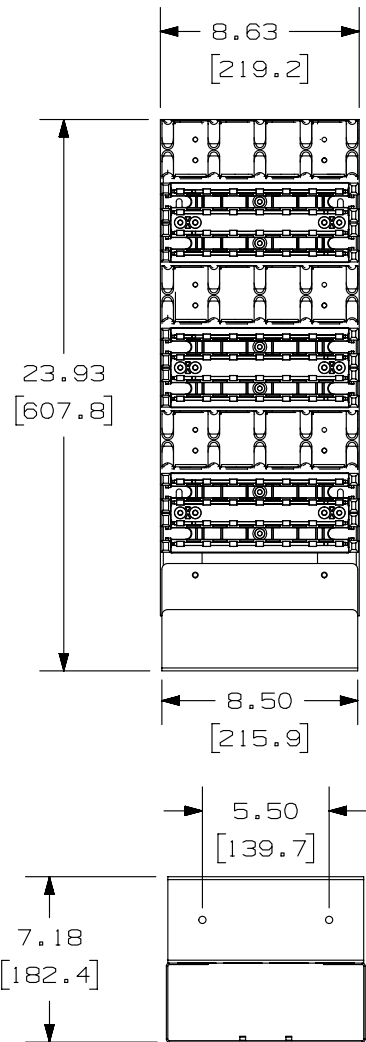


TABLE 1

PANDUIT PART NO.	WEIGHT
P110KT3004Y	9.95 LB/ea 4522.73g/ea
P110KT3005Y	9.95 LB/ea 4522.73g/ea

NOTES:

- SEE CURRENT CATALOG FOR ADDITIONAL PART NUMBER SUFFIXES TO INDICATE PACKAGE QUANTITY.
- 300 PAIR 110 TOWER ASSEMBLY IS DESIGNED FOR WALL MOUNT APPLICATIONS, PROVIDES VERTICAL CABLE MANAGEMENT, AND SUPPLIED JUMPER TROUGHS PROVIDE HORIZONTAL CABLE MANAGEMENT.
- ASSEMBLY COMES WITH FASTENER KIT WHICH INCLUDES THE FOLLOWING:
(2) #12 X 1/2" SHEET METAL SCREWS,
(2) #12 LOCK WASHERS, (1) 1/4-20 X 3/4 MACHINE SCREW, (1) 1/4-20 HEX NUT, (2) 1/4" LOCK WASHERS.
- ALSO INCLUDED WITH TOWER IS A SCREW KIT USED TO MOUNT THE JUMPER TROUGHS AND BASES.
- SEE CHART FOR NUMBER OF CONNECTING BLOCKS INCLUDED FOR EACH PART NUMBER.
- DIMENSIONS IN PARENTHESES ARE IN METRIC.

PART NUMBER	CONNECTING BLOCKS	
	4 PAIR (P110CB4-*Y)	5 PAIR (P110CB5-*Y)
P110KT3004Y	60	12
P110KT3005Y	12	60



PART NUMBER	P110KT300*Y		
TITLE	PAN-PUNCH CATEGORY 5E TOWER SYSTEM - 300 PAIR		
	CUSTOMER DRAWING		
ITEM REVISION NAME	M02479NB/00		PANDUIT
DATASET FILE NAME	M02479NB_DC341/00C		
UNLESS OTHERWISE SPECIFIED, DIMENSIONAL TOLERANCES ARE: IN [mm]		MATERIAL:	
.x ± .xxx ± .010 [.3]		DRAWING NUMBER:	
.xx ± .03 [.8]		02479-341	
ANGLES ±		THIRD ANGLE PROJECTION	
DRAWN BY	DATE	CHK	SCALE
NER	3-24-06	WJC	NONE
SHT 1 OF 2			SIZE
			A

REV	DATE	BY	CHK	APR	DESCRIPTION	ECN
2	5-28-14	MDJR	REFR	EJH	A. UPDATED TITLE BLOCK. PREVIOUS REVISIONS REMOVED FOR CLARITY.	02479-341

D101000DA/14

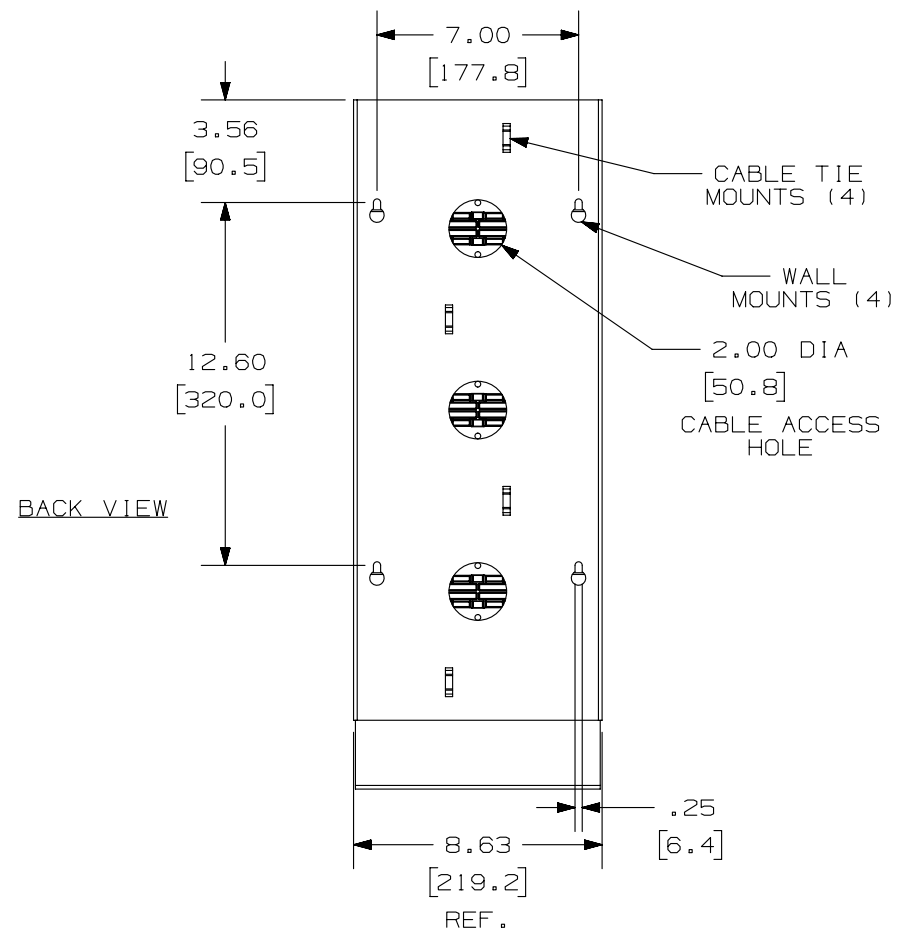
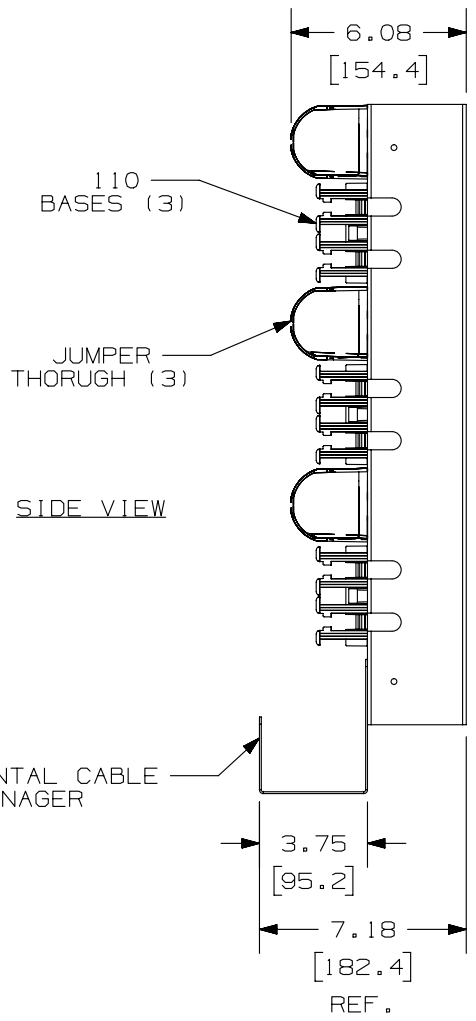
2

1

2

1

THIS COPY IS PROVIDED ON A RESTRICTED BASIS AND IS NOT TO BE USED IN ANY WAY DETRIMENTAL TO THE INTERESTS OF PANDUIT CORP.



PART NUMBER		P110KT300*Y	
TITLE			
PAN-PUNCH CATEGORY 5E TOWER SYSTEM - 300 PAIR			
CUSTOMER DRAWING			
ITEM REVISION NAME		M02479NB/00	
DATASET FILE NAME		M02479NB_DC341/00C	
UNLESS OTHERWISE SPECIFIED, DIMENSIONAL TOLERANCES ARE: IN [mm]		PANDUIT	
.x ± .xxx ± .010 [.3]			
.xx ± .03 [.8] ANGLES ±		MATERIAL:	
THIRD ANGLE PROJECTION		DRAWING NUMBER:	
02479-341		02479-341	
DRAWN BY	DATE	CHK	SCALE
NER	3-24-06	WJC	NONE
REV	DATE	BY	CHK
2	5-28-14	MDJR	REFR
3		EJH	REFR
4			
5			
6			
7			
8			
9			
10			
11			
12			
13			
14			
15			
16			
17			
18			
19			
20			
21			
22			
23			
24			
25			
26			
27			
28			
29			
30			
31			
32			
33			
34			
35			
36			
37			
38			
39			
40			
41			
42			
43			
44			
45			
46			
47			
48			
49			
50			
51			
52			
53			
54			
55			
56			
57			
58			
59			
60			
61			
62			
63			
64			
65			
66			
67			
68			
69			
70			
71			
72			
73			
74			
75			
76			
77			
78			
79			
80			
81			
82			
83			
84			
85			
86			
87			
88			
89			
90			
91			
92			
93			
94			
95			
96			
97			
98			
99			
100			

D10100DA/14

REV	DATE	BY	CHK	APR	DESCRIPTION	ECN
2	5-28-14	MDJR	REFR	EJH	SEE SHEET 1 OF 2 FOR CHANGES.	02479-341

2

1

2

1

X-ON Electronics

Largest Supplier of Electrical and Electronic Components

Click to view similar products for [Racks & Rack Cabinet Accessories](#) category:

Click to view products by [Panduit](#) manufacturer:

Other Similar products are found below :

[M00-PLN](#) [F2424](#) [8351-832-A-24](#) [9104](#) [9105](#) [PLFF2000](#) [H-9163-B](#) [1427C3](#) [HTS10](#) [PC-79](#) [SC10-3A](#) [SC4-28](#) [CG3-340S/12](#) [CP-001BK](#)
[M6123-4007-SS](#) [TS170](#) [LP40](#) [5261304-07](#) [CG3-160G](#) [7112C-PLN](#) [ALUM](#) [CM10](#) [8610-3124-S-26](#) [TS81](#) [7142](#) [GP134](#) [M6125-4007-A-24](#)
[M6127-4007-SS](#) [PBCOVER](#) [512](#) [AEG-4000G](#) [AEG-3000G](#) [HD99](#) [SR2-66A2](#) [FP10B4HP-1](#) [SR16-66A2](#) [FP52-2](#) [1406-1006-01](#) [29478](#)
[TS2535](#) [TS169-6](#) [CAC2](#) [HA19-3U](#) [BR-19-10-1](#) [TS180](#) [CG3-ESD](#) [SC11-1](#) [CFS-1.00/2.20](#) [AX6145WM](#) [HEC0800PB](#) [ZC633R](#)