

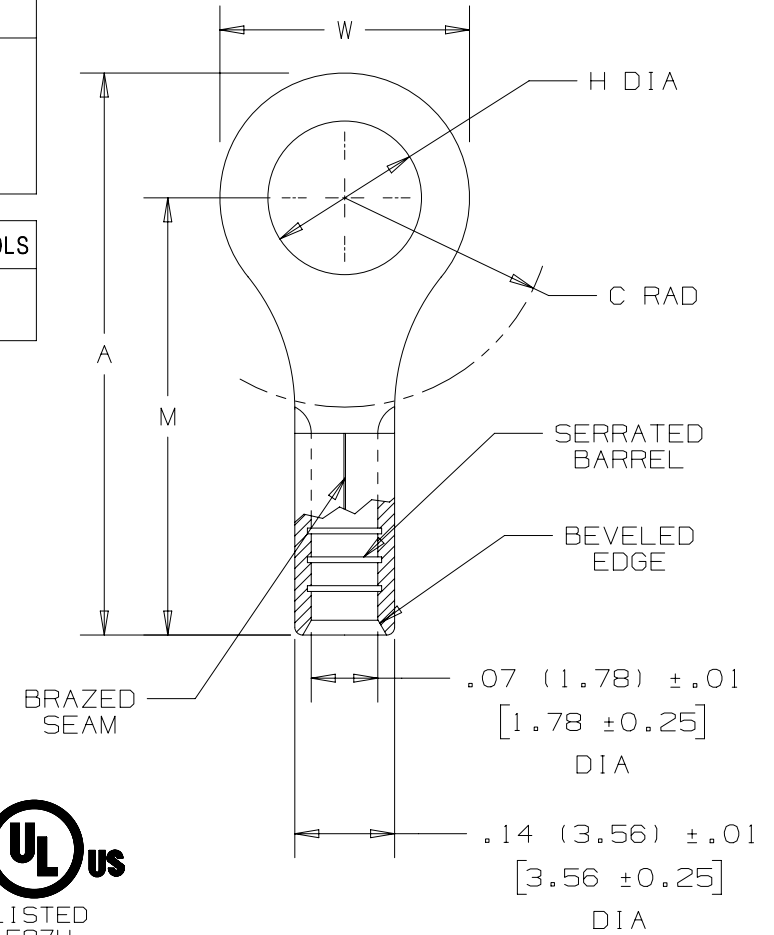
THIS COPY IS PROVIDED ON A RESTRICTED BASIS AND IS NOT TO BE USED IN ANY WAY DETRIMENTAL TO THE INTERESTS OF PANDUIT CORP.

PANDUIT PART #	STUD SIZE	DIMENSIONS - in. [mm]				
		A ± .03 [0,8]	W ± .01 [0,3]	C ± .02 [0,5]	M ± .03 [0,8]	H ± .01 [0,3]
P18-6RHT6	#6	.62 [15,75]	.25 [6,35]	.21 [5,33]	.50 [12,70]	.15 [3,81]
P18-8RHT6	#8	.71 [18,03]	.31 [7,87]	.25 [6,35]	.55 [13,97]	.17 [4,32]
P18-10RHT6	#10	.71 [18,03]	.31 [7,87]	.25 [6,35]	.55 [13,97]	.20 [5,08]

UL TOOLS
CT-100A CT-200 CT-600-A (CT-570CH) CT-1570 CT-2500 (CT-2570CH)
PANDUIT APPROVED TOOLS
CT-160 CT-260

NOTES:

- UL LISTED FOR:
 - #22-16 AWG SOLID OR STRANDED COPPER WIRE
 - 650°F [343°C] MAX TEMP RATING
 - 2000 VOLTS MAX
- SEE www.panduit.com FOR PACKAGE QUANTITIES
- MATERIAL:
 - STAMPING - .03" [0,8] THK COPPER, NICKEL PLATED
- DIMENSIONS IN BRACKETS ARE IN MILLIMETERS
- WIRE STRIP LENGTH: $9/32''^{+1/32}_{-0}$ [7,1mm $^{+0,8}_{-0}$]



TITLE						
#22-16 BARREL NON-INSULATED RING TONGUE, HIGH TEMPERATURE, 650° F						
CUSTOMER DRAWING						
ITEM REVISION NAME					PANDUIT	
N41265BA/07						
DATASET FILE NAME						
N41265BA/07					MATERIAL:	
UNLESS OTHERWISE SPECIFIED, DIMENSIONAL TOLERANCES ARE: IN [mm]					SEE NOTE 3	
.X ± .XXX ± .XX ± ANGLES ±					DRAWING NUMBER:	
 THIRD ANGLE PROJECTION					A41265	
REV	DATE	BY	CHK	APR	DESCRIPTION	ECN
07	5/17	JHNU	TMR	RGB	UPDATED TOOL CHART FORMAT	N41265BA-A41265
06	06/14	MBY	JHNU	RGB	ADDED cULus LOGO, REVISED NOTES, MOVED TOOLS TO TABLE, UPDATED BORDER	N41265BA-A41265
DRAWN BY		DATE		CHK	SCALE	SIZE
DAW					NONE	A
					SHT 1 OF 1	

D101000DA/16

X-ON Electronics

Largest Supplier of Electrical and Electronic Components

Click to view similar products for [Terminals](#) category:

Click to view products by [Panduit](#) manufacturer:

Other Similar products are found below :

[00-054007-01074-6](#) [00-054007-70206-1](#) [00-054007-70210-8](#) [00-054007-70217-7](#) [00-054007-70226-9](#) [00-054007-70228-3](#) [00-054007-70248-1](#) [00-054007-70256-6](#) [00-054007-70301-3](#) [00-054007-70316-7](#) [0-0320562-0](#) [00-054007-49560-4](#) [00-054007-70209-2](#) [00-054007-70225-2](#) [00-054007-70227-6](#) [00-054007-70231-3](#) [00-054007-70241-2](#) [00-054007-70242-9](#) [00-054007-70244-3](#) [00-054007-70246-7](#) [00-054007-70263-4](#) [00-054007-70288-7](#) [00-054007-70290-0](#) [00-054007-70300-6](#) [00-054007-70304-4](#) [01-2065-1-0216](#) [01-2900-1-04412](#) [00581P0075](#) [600TS-10](#) [60205-1](#) [604200-1](#) [605601-1](#) [60598-1-CUT-TAPE](#) [61314-6-C](#) [61810-3](#) [61-S](#) [61-SN](#) [626-0194](#) [62-NBM-A](#) [62-SN](#) [62-SP](#) [63-S](#) [640179-1](#) [M55155/059I03](#) [M55155/079C01](#) [M55155/099H02](#) [M55155/109H01](#) [M55155/109H02](#) [M55155/12XH05](#) [M55155/16XH02](#)