

THIS COPY IS PROVIDED ON A RESTRICTED BASIS AND IS NOT TO BE USED IN ANY WAY DETRIMENTAL TO THE INTERESTS OF PANDUIT CORP.

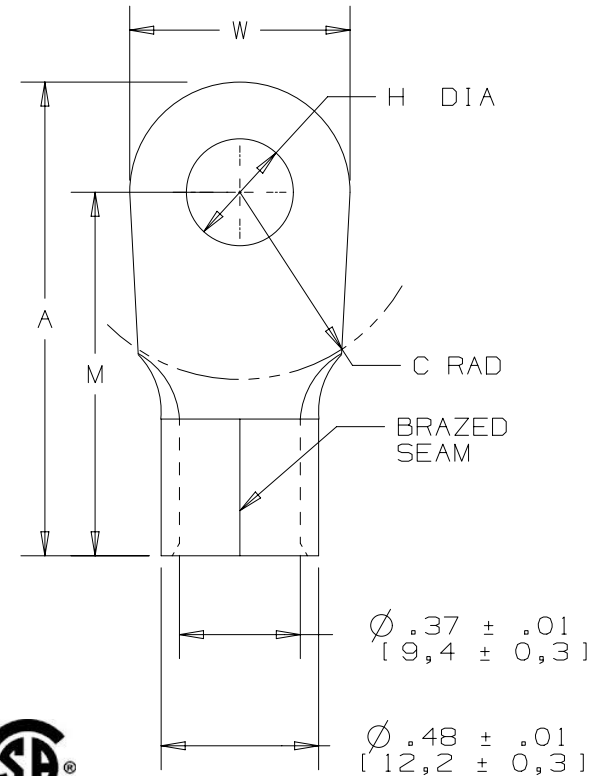
PANDUIT PART NUMBER	STUD SIZE	DIMENSIONS - in [mm]				
		A ± .03 [0,8]	W ± .01 [0,3]	C ± .02 [0,5]	M ± .03 [0,8]	H ± .01 [0,3]
P2-10R	#10	1.46 [37,1]	.68 [17,3]	.58 [14,7]	1.12 [28,5]	.20 [5,1]
P2-14R	1/4"	1.46 [37,1]	.68 [17,3]	.58 [14,7]	1.12 [28,5]	.27 [6,9]
P2-56R	5/16"	1.46 [37,1]	.68 [17,3]	.58 [14,7]	1.12 [28,5]	.33 [8,4]
P2-38R	3/8"	1.46 [37,1]	.68 [17,3]	.58 [14,7]	1.12 [28,5]	.39 [9,9]
P2-12R *	1/2"	1.55 [39,4]	.86 [21,8]	.58 [14,7]	1.12 [28,5]	.52 [13,2]

\*P2-12R NOT CSA CERTIFIED

NOTES:

- UL LISTED AND CSA CERTIFIED FOR:
  - #2 AWG STRANDED COPPER WIRE
  - 302°F (150°C) MAX OPERATING TEMP
  - 2000 VOLTS MAX
- SEE WWW.PANDUIT.COM FOR PACKAGE QUANTITIES
- MATERIAL:
  - STAMPING - .060" [1,52] THK COPPER, TIN PLATED
- DIMENSIONS IN BRACKETS ARE IN MILLIMETERS
- WIRE STRIP LENGTH:  $7/16" \begin{matrix} +1/32 \\ -0 \end{matrix} [11,1mm \begin{matrix} +0,8 \\ -0 \end{matrix}]$

UL & CSA TOOLS (DIES)  
 CT-1701 (P2)  
 CT-2600 (CD-2600-P2)



TITLE		#2 BARREL NON-INSULATED RING TONGUE	
CUSTOMER DRAWING			
ITEM REVISION NAME	N41212BB/08	<b>PANDUIT</b>	
DATASET FILE NAME	N41212BB/08		
UNLESS OTHERWISE SPECIFIED, DIMENSIONAL TOLERANCES ARE: IN [ mm ]		MATERIAL: SEE NOTES	
.X ± .XXX ± .XX ± ANGLES ±		DRAWING NUMBER: A41212	
THIRD ANGLE PROJECTION			
DRAWN BY	DATE	CHK	SCALE
DAW		RLS	NONE
SHT 1 OF 1		A	

REV	DATE	BY	CHK	APR	DESCRIPTION	ECN
08	5/17	JHNU	TMR	RGB	ADDED VOLTAGE RATING	N41212BB-A41212
07	07/15	TMR	TMR	RGB	ADDED CT-2600 TO PKG LABEL, CSA BACK TO DWG, UPDATED DIES	N41212BB-A41212
06	07/14	MBY	JHNU	RGB	REVISED NOTES, MOVED TOOLS TO TABLE, REVISED CERTIFICATION, UPDATED BORDER	N41212BB-A41212

D10100DA/16

## X-ON Electronics

Largest Supplier of Electrical and Electronic Components

*Click to view similar products for [Terminals](#) category:*

*Click to view products by [Panduit](#) manufacturer:*

Other Similar products are found below :

[00-054007-01074-6](#) [00-054007-70206-1](#) [00-054007-70210-8](#) [00-054007-70217-7](#) [00-054007-70226-9](#) [00-054007-70228-3](#) [00-054007-70248-1](#) [00-054007-70256-6](#) [00-054007-70301-3](#) [00-054007-70316-7](#) [0-0320562-0](#) [00-054007-49560-4](#) [00-054007-70209-2](#) [00-054007-70225-2](#) [00-054007-70227-6](#) [00-054007-70231-3](#) [00-054007-70241-2](#) [00-054007-70242-9](#) [00-054007-70244-3](#) [00-054007-70246-7](#) [00-054007-70263-4](#) [00-054007-70288-7](#) [00-054007-70290-0](#) [00-054007-70300-6](#) [00-054007-70304-4](#) [01-2065-1-0216](#) [01-2900-1-04412](#) [00581P0075](#) [600TS-10](#) [60205-1](#) [604200-1](#) [605601-1](#) [60598-1-CUT-TAPE](#) [61314-6-C](#) [61810-3](#) [61-S](#) [61-SN](#) [626-0194](#) [62-NBM-A](#) [62-SN](#) [62-SP](#) [63-S](#) [640179-1](#) [M55155/059I03](#) [M55155/079C01](#) [M55155/099H02](#) [M55155/109H01](#) [M55155/109H02](#) [M55155/12XH05](#) [M55155/16XH02](#)