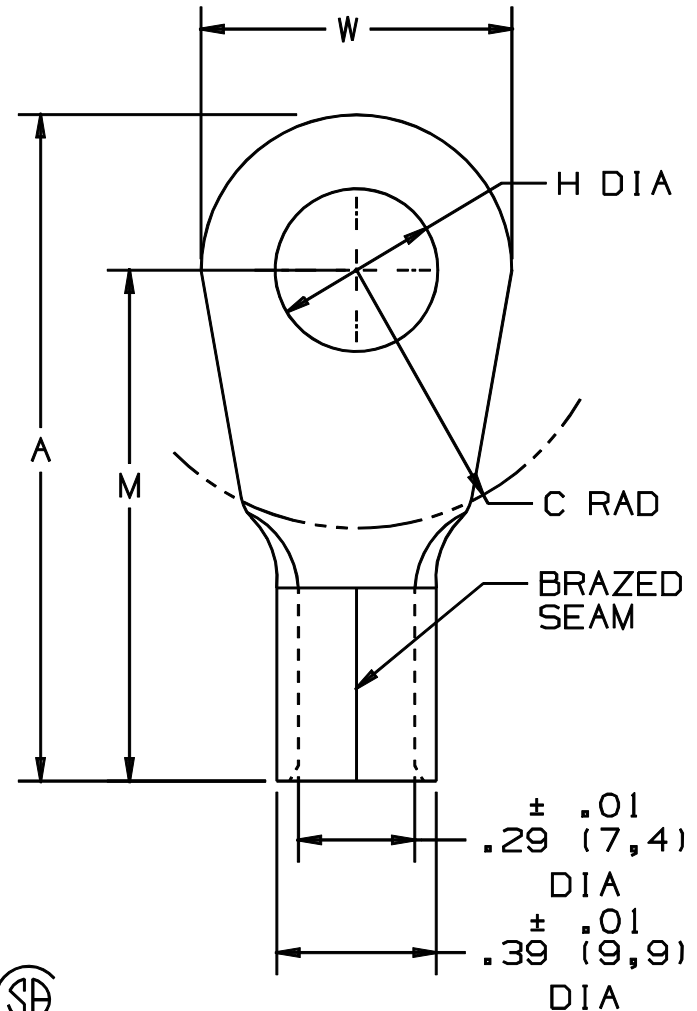


THIS COPY IS PROVIDED ON A RESTRICTED BASIS AND IS NOT TO BE USED IN ANY WAY DETRIMENTAL TO THE INTERESTS OF PANDUIT CORP.

PANDUIT PART NUMBER	PKG.	STUD SIZE	DIMENSIONS in.				
			A $\pm .03$	W $\pm .01$	C $\pm .02$	M $\pm .03$	H $\pm .01$
P4-10R	-E -T	#10	1.40 (35,6)	.55 (14,0)	.50 (12,7)	1.12 (28,5)	.20 (5,1)
P4-14R	-E -T	1/4"	1.40 (35,6)	.55 (14,0)	.50 (12,7)	1.12 (28,5)	.27 (6,9)
P4-56R	-E -T	5/16"	1.46 (37,1)	.68 (17,3)	.50 (12,7)	1.12 (28,5)	.33 (8,4)
P4-38R	-E -T	3/8"	1.46 (37,1)	.68 (17,3)	.50 (12,7)	1.12 (28,5)	.39 (9,9)
P4-12R	-E -T	1/2"	1.55 (39,4)	.86 (21,8)	.53 (13,5)	1.12 (28,5)	.52 (13,2)

NOTES:

- UL LISTED AND CSA CERTIFIED FOR:
A. 302° F (150° C) MAX OPERATING TEMP
B. #4 AWG STRANDED COPPER WIRE
- PACKAGE QTY: STD. PKG. -E=20
BULK PKG. -T=200
- MATERIAL: .050" (1,27) THK COPPER, TIN PLATED
- DIMENSIONS IN BRACKETS ARE IN MILLIMETERS
- INSTALLATION TOOL: CT-700 (OBSOLETE), CT-1701
- WIRE STRIP LENGTH: 1/2 $\pm 1/32$ (12,7 $\pm .8$)



UL
LISTED
587H
E52164

CSA
CERTIFIED
LR31212

A41213_04

04	3/01	EJS		ADDED "OBSOLETE" TO NOTE 5, DECIMALS WERE TWO PLACES, ADDED PACKAGE CODE TO CHART				PANDUIT CORP. TINLEY PARK, ILLINOIS #4 BARREL NON-INSULATED RING TONGUE
03	1/01	ED	SKB	ADD CT-1701 TO INSTALLATION TOOLS	08947	JAC	CCH	
02	2-95	MS	RLS	UPDATED NOTES AND DIMENSIONS	03022	LA	KS	
01	7-88	DW		REDRAWN WITH REVISIONS				
REV	DATE	BY	CHK	DESCRIPTION	ECN #	CUST	PM	DRAWN BY DAW Ck'D SCALE NONE DRAWING NO. A41213

X-ON Electronics

Largest Supplier of Electrical and Electronic Components

Click to view similar products for [Terminals](#) category:

Click to view products by [Panduit](#) manufacturer:

Other Similar products are found below :

[00-054007-01074-6](#) [00-054007-70206-1](#) [00-054007-70210-8](#) [00-054007-70217-7](#) [00-054007-70226-9](#) [00-054007-70228-3](#) [00-054007-70248-1](#) [00-054007-70256-6](#) [00-054007-70301-3](#) [00-054007-70316-7](#) [0-0320562-0](#) [00-054007-49560-4](#) [00-054007-70209-2](#) [00-054007-70225-2](#) [00-054007-70227-6](#) [00-054007-70231-3](#) [00-054007-70241-2](#) [00-054007-70242-9](#) [00-054007-70244-3](#) [00-054007-70246-7](#) [00-054007-70263-4](#) [00-054007-70288-7](#) [00-054007-70290-0](#) [00-054007-70300-6](#) [00-054007-70304-4](#) [01-2065-1-0216](#) [01-2900-1-04412](#) [00581P0075](#) [600TS-10](#) [60205-1](#) [604200-1](#) [605601-1](#) [60598-1-CUT-TAPE](#) [61314-6-C](#) [61810-3](#) [61-S](#) [61-SN](#) [626-0194](#) [62-NBM-A](#) [62-SN](#) [62-SP](#) [63-S](#) [640179-1](#) [M55155/059I03](#) [M55155/079C01](#) [M55155/099H02](#) [M55155/109H01](#) [M55155/109H02](#) [M55155/12XH05](#) [M55155/16XH02](#)