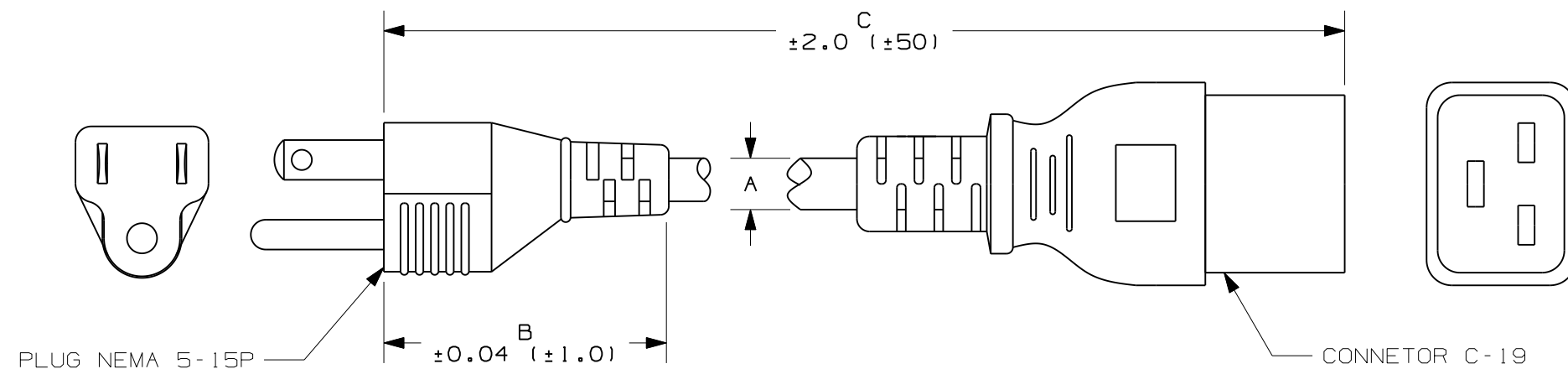


THIS COPY IS PROVIDED ON A RESTRICTED BASIS AND IS NOT TO BE USED IN ANY WAY DETRIMENTAL TO THE INTERESTS OF PANDUIT CORP.

PART #	COLOR	A (REF) IN (mm)	B (REF) IN (mm)	C IN (mm)	APPROXIMATE WEIGHT LBS. (g)
P515C19BL1.5	BLACK	0.37 (9.3)	1.69 (43)	18 (460)	0.31 (141.)
P515C19BL3				37 (950)	0.49 (223)
P515C19BL6				72 (1830)	0.83 (1880)



NOTES:

- SEE www.panduit.com FOR PART NUMBER SUFFIX DESIGNATION FOR PACKAGE SIZE.
- RATING: 15A/125V AC.
- CORD ASSEMBLY HAS THESE APPROVALS: UL, CSA OR cUL.
- PRODUCT IS RoHS COMPLIANT.

REV	DATE	BY	CHK	DESCRIPTION	ECN	R	CUST	SUP	QC
OOA	7/19/12	DBLA	DJW	INITIAL DRAWING RELEASE	GAECN0094	OO	KLN		

CAD FILENAME/LAYERS 11K026BK_DC/00A	
<h1>PANDUIT</h1> CORP TINLEY PARK, ILLINOIS CUSTOMER DRAWING NEMA 5-15P TO IEC60320-C19 POWER CORD	
UNLESS OTHERWISE SPECIFIED, DIMENSIONAL TOLERANCES ARE: (.X) ± .1 (.XXX) ± .005 (.XX) ± .01 ANGLES ± 5°	UNLESS OTHERWISE SPECIFIED, ALL DIMENSIONS ARE GIVEN IN INCHES, THIRD ANGLE PROJECTION
DRAWN BY DBLA DATE 7/19/12 CHK'D KLN	MAT'L: SEE NOTES
SCALE 1 : 1	DRAWING NO. 11K026BK -DC DWG B SIZE

X-ON Electronics

Largest Supplier of Electrical and Electronic Components

Click to view similar products for [Panduit](#) manufacturer:

Other Similar products are found below :

[CF502550F-Q](#) [PK14-8R-X](#) [PK10-56R-L](#) [PCV-110CY](#) [PSL-SCBD-EI](#) [CBX4AW-AY](#) [CBXS2AW-A](#) [CS25-18SL-CY](#) [CFPFLS2SAW](#) [PK10-10R-X](#) [PUM-925-C0](#) [SICH38-C](#) [SICH25-C](#) [CCS19-S8-X](#) [CCH57-S12-M30](#) [PCMBR-13](#) [PCPA11IW](#) [CRE32](#) [M200X042UPT](#)
[M200X050ACT](#) [M200X080FQT](#) [M200X100ACT](#) [M200X100AIT](#) [CRTW](#) [CSVBP](#) [CT-1000](#) [CT-1004](#) [CT-1104](#) [CT-2550CH](#) [CT-2570CH](#)
[M300X050ACT](#) [M300X100ACT](#) [CT-900HPH](#) [CUFB48BL](#) [CVED32VE](#) [CVED32VEPG](#) [CVED40VEN](#) [CVED40VEPG](#) [CWF400](#)
[CWMPV2340](#) [CWMPV2440](#) [CWMPV3340](#) [CWMPV3440](#) [CWST](#) [MBEH-TLR](#) [MBH-MR](#) [MBH-MR316](#) [MBH-TLR316](#) [MBSH-TR](#) [MBS-MR](#)