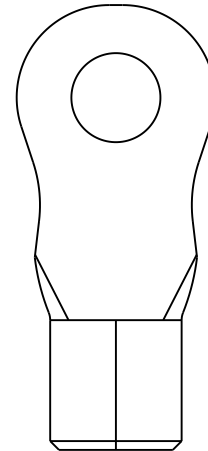
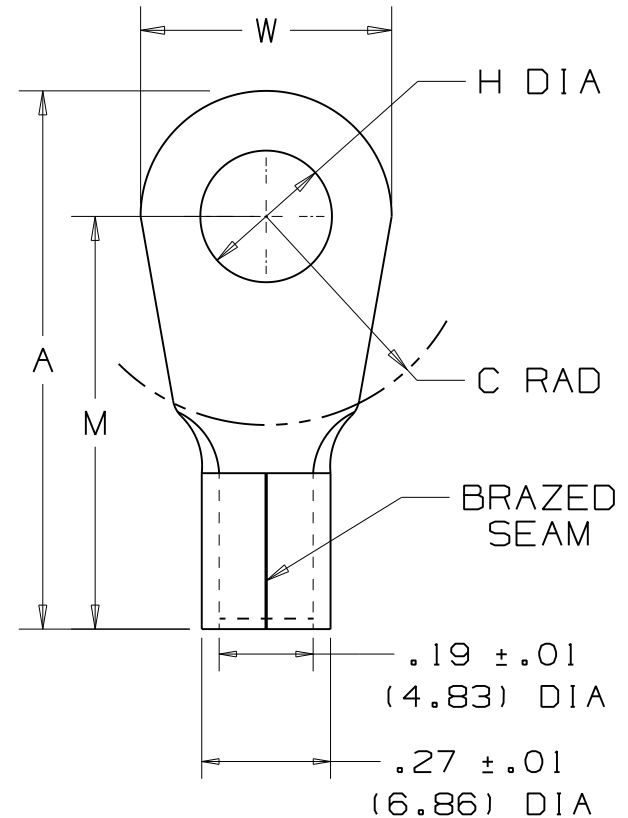


THIS COPY IS PROVIDED ON A RESTRICTED BASIS AND IS NOT TO BE USED IN ANY WAY DETRIMENTAL TO THE INTERESTS OF PANDUIT CORP.

| PANDUIT PART NUMBER | | STUD SIZE | DIMENSIONS in. | | | | |
|---------------------|----------|-----------|-----------------|----------------|----------------|----------------|----------------|
| PREFIX | PK | | A $\pm .03$ | W $\pm .01$ | C $\pm .02$ | M $\pm .03$ | H $\pm .01$ |
| P8-8RHT6 | -0 | #8 | 1.12 (28.45) | .42 (10.67) | .43 (10.92) | .91 (23.11) | .17 (4.32) |
| P8-8RNHT6 | -0 | #8 | 1.09 (27.69) | .36 (9.25) | .43 (10.92) | .91 (23.11) | .17 (4.32) |
| P8-10RHT6 | -0 -T | #10 | 1.14 (28.96) | .42 (10.67) | .43 (10.92) | .91 (23.11) | .20 (5.08) |
| P8-10RNHT6 | -0 -T | #10 | 1.09 (27.69) | .36 (9.25) | .43 (10.92) | .91 (23.11) | .20 (5.08) |
| P8-14RHT6 | -0 | 1/4" | 1.14 (28.96) | .47 (11.94) | .43 (10.92) | .91 (23.11) | .27 (6.86) |
| P8-56RHT6 | -0 | 5/16" | 1.25 (31.75) | .59 (14.99) | .51 (12.95) | .95 (24.13) | .33 (8.38) |
| P8-38RHT6 | -0 | 3/8" | 1.25 (31.75) | .59 (14.99) | .51 (12.95) | .95 (24.13) | .39 (9.91) |
| P8-12RHT6 | -0 | 1/2" | 1.36 (34.54) | .82 (20.83) | .54 (13.72) | .95 (24.13) | .52 (13.21) |



P8-10RHT6
CONFIGURATION
(NOT TO SCALE)



NOTES:

- FOR #8 AWG COPPER WIRE
- 650 F (343C) MAX. TEMP RATING
- PACKAGE QTY: STD - Q=25
BLK - T=200
- MATERIAL:
STAMPING - .040" (1.02) THK COPPER,
NICKEL PLATED
- DIMENSIONS IN BRACKETS ARE MILLIMETERS
- INSTALLATION TOOL: CT-2600
- WIRE STRIP LENGTH: 3/8 +1/32 -0 (9.5mm +.8 -0)

| | | | | | | | |
|-----|------|-----|-----|--|-------|------|----|
| 03 | 5/09 | BCT | | MODIFIED P8-10RHT6 DIM W TO 0.42" | | | |
| 02 | 1/09 | | | ADDED P8-8RNHT6 & #8-10RNHT6 | | | |
| 01 | 6/08 | SRB | | Removed UL & CSA ADDED temp rating Removed ct-2600 tool | | | |
| 00 | 6/08 | BCT | | RELEASED | | | |
| REV | DATE | BY | CHK | DESCRIPTION | ECN # | CUST | PM |

PANDUIT

CORP.

TINLEY PARK, ILLINOIS

#8 BARREL NON-INSULATED
HIGH TEMPERATURE RING TONGUE

| | | | |
|-----------------|-------|---------------|-----------------------|
| DRAWN BY BCT | CHK'D | SCALE NONE | DRAWING NO. A41741 |
|-----------------|-------|---------------|-----------------------|

X-ON Electronics

Largest Supplier of Electrical and Electronic Components

Click to view similar products for [Terminals](#) category:

Click to view products by [Panduit](#) manufacturer:

Other Similar products are found below :

[00-054007-01074-6](#) [00-054007-70206-1](#) [00-054007-70210-8](#) [00-054007-70217-7](#) [00-054007-70226-9](#) [00-054007-70228-3](#) [00-054007-70248-1](#) [00-054007-70256-6](#) [00-054007-70301-3](#) [00-054007-70316-7](#) [0-0320562-0](#) [00-054007-49560-4](#) [00-054007-70209-2](#) [00-054007-70225-2](#) [00-054007-70227-6](#) [00-054007-70231-3](#) [00-054007-70241-2](#) [00-054007-70242-9](#) [00-054007-70244-3](#) [00-054007-70246-7](#) [00-054007-70263-4](#) [00-054007-70288-7](#) [00-054007-70290-0](#) [00-054007-70300-6](#) [00-054007-70304-4](#) [01-2065-1-0216](#) [01-2900-1-04412](#) [00581P0075](#) [600TS-10](#) [60205-1](#) [604200-1](#) [605601-1](#) [60598-1-CUT-TAPE](#) [61314-6-C](#) [61810-3](#) [61-S](#) [61-SN](#) [626-0194](#) [62-NBM-A](#) [62-SN](#) [62-SP](#) [640179-1](#) [M55155/059I03](#) [M55155/079C01](#) [M55155/099H02](#) [M55155/109H01](#) [M55155/109H02](#) [M55155/12XH05](#) [M55155/16XH02](#) [M55155/29-5S](#)