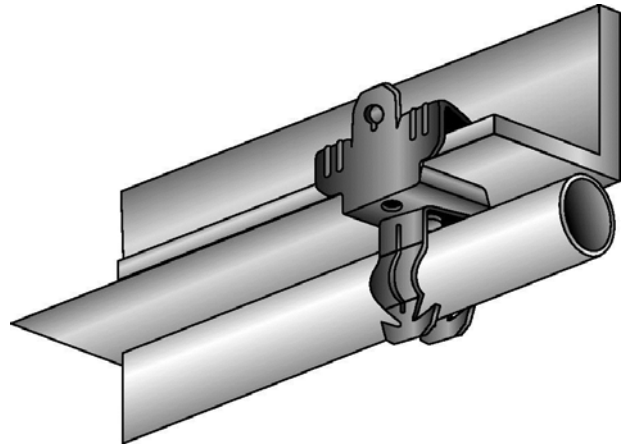
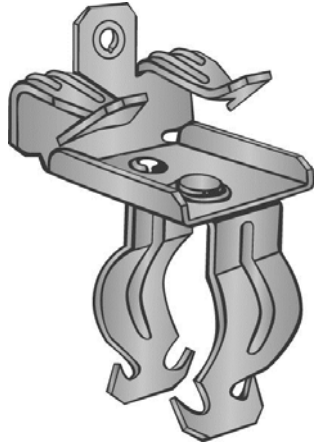


Part Number: P8P912

Product Description: BEAM CLAMP FOR 9/16" - 3/4" FLANGE WITH 1/2" PUSH FIT CONDUIT CLIP



Material Specifications

Type: Assembly

Finish: Assembly

Color: Various

Function Specifications

Compatible Wires and Cables

AC/MC CABLE (OD):
Drop Wire:
Plain Rod (in):

Threaded Rods and Bolts

Tapped Holes: 1/4"-20 BACK OF BEAM CLAMP
Clearance Holes (in):
Threaded Rod Size (in):

Compatible Conduit

EMT Size (in): 1/2
Rigid/IMC (in):

Compatible Flanges and Studs

Flange Size (in): 9/16 to 3/4
Metal Stud Size (ins):

Static Load Rating

Vertical (lbs): 25
Horizontal (lbs):

Other

Codes and Regulatory

Regulatory Certifications: -

Country of Origin: US

Packaging

General Packaging: Cardboard Box
Box Size: 15 X 8.25 X 7.25

Pieces per Package: 100
Other Box Features:

Document Information

Created By: DBLA
Checked By: DJW
Approved By: KLN

Customer Specification #: C11171
Revision Level: 01
ECN #: GAECN01482
Date: 12/10/2013

X-ON Electronics

Largest Supplier of Electrical and Electronic Components

Click to view similar products for [Conduit Fittings & Accessories](#) category:

Click to view products by [Panduit](#) manufacturer:

Other Similar products are found below :

[M3231GAB](#) [M3231GAC](#) [M3231GAE](#) [M3231GL](#) [M3231GT](#) [VC-937-16/RED](#) [VC-562-16/RED](#) [VC-1125-16/RED](#) [DM0240-1/2A](#) [3408B](#)
[G6002](#) [M4340GAE](#) [C2016-P](#) [C2012-P](#) [3407B](#) [1660-P](#) [561-87BG11BLK](#) [561-75BG11B](#) [1.533.1201.50](#) [1.533.1601.51](#) [BVNV-P428](#) [BVBV-](#)
[P366](#) [2276](#) [2663-P](#) [3405B](#) [C2070-P](#) [3582V](#) [4975](#) [2644-P](#) [2955](#) [M50](#) [2404-P](#) [2291](#) [2133-P](#) [3048F](#) [VC12516](#) [RC156-0500](#) [DM0523-1/2A](#)
[1035A](#) [DMS0250-1A](#) [DMS0313-1A](#) [1040A](#) [1050A](#) [R1/8A](#) [DMPC0490-1/2A](#) [DMPC0521-1/2A](#) [DMPC0552-1/2A](#) [1070A](#) [R1/2A](#) [E1-7/8B](#)
[061A](#)