

**NOTES, UNLESS OTHERWISE SPECIFIED:**

**The Panduit PBDCT Bench-Mount Duct Cutting Tool features:**

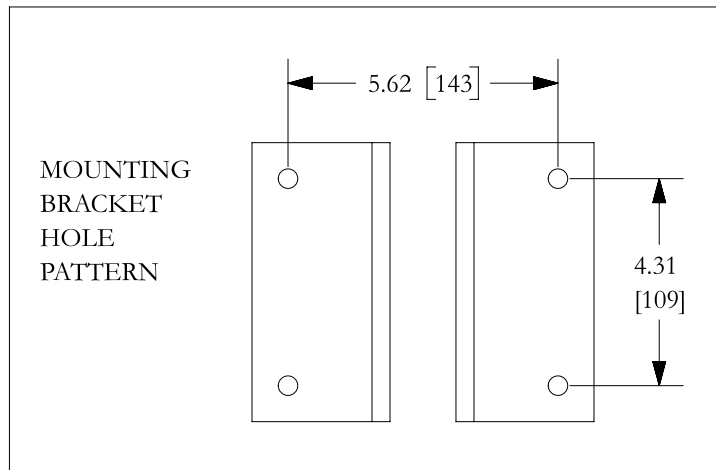
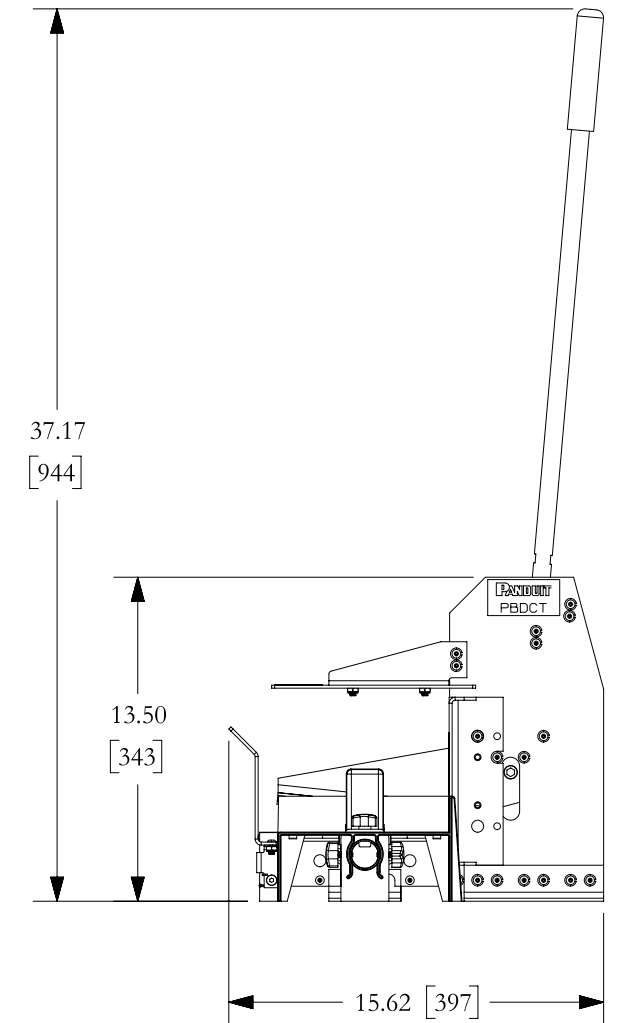
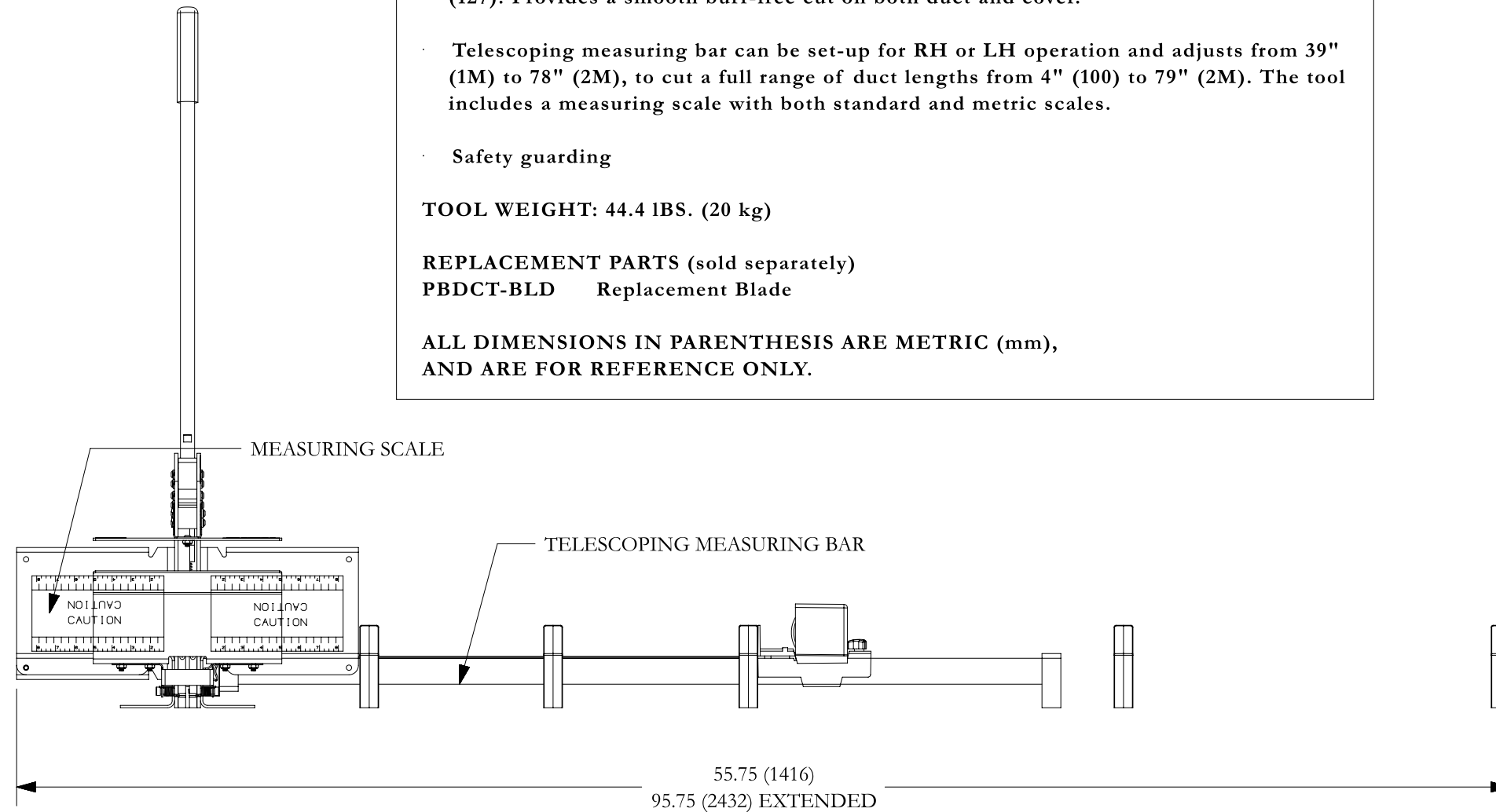
- Easily cuts any Panduct® slotted wiring duct & cover up to 6" wide (152), and 5" high (127). Provides a smooth burr-free cut on both duct and cover.
- Telescoping measuring bar can be set-up for RH or LH operation and adjusts from 39" (1M) to 78" (2M), to cut a full range of duct lengths from 4" (100) to 79" (2M). The tool includes a measuring scale with both standard and metric scales.
- Safety guarding

**TOOL WEIGHT: 44.4 IBS. (20 kg)**

**REPLACEMENT PARTS (sold separately)**

**PBDCT-BLD Replacement Blade**

**ALL DIMENSIONS IN PARENTHESIS ARE METRIC (mm), AND ARE FOR REFERENCE ONLY.**



REV	DATE	BY	CHK	APR	DESCRIPTION	ECN
02	07.11.16	BDK	MRJS	RGRO	B. FOR PREVIOUS REV REF: F:\wrkgrp\ENGR DOCS\CUSTOMER DRAWINGS\WD25752C01.01.doc A. DRAWING TRANSFERED TO CAD / TEAMCENTER	WD25752C01

TITLE		BENCH TOP DUCT CUTTING TOOL PBDCT		
ITEM REVISION NAME		CUSTOMER DRAWING		
DATASET FILE NAME		00216NKF/00		
00216NKF-DC/02 PBDCT DUCT COVER				
UNLESS OTHERWISE SPECIFIED, DIMENSIONAL TOLERANCES ARE: IN [ mm ]				
.X ±		.XXX ±		
.XX ±		ANGLES ±		
THIRD ANGLE PROJECTION		DRAWING NUMBER: WD25752C01		
DRAWN BY	DATE	CHK	SCALE	SIZE
BDK	07.11.16	RGRO	NONE	SHT 1 OF 1 B

## X-ON Electronics

Largest Supplier of Electrical and Electronic Components

*Click to view similar products for [Hand Tools](#) category:*

*Click to view products by [Panduit](#) manufacturer:*

Other Similar products are found below :

[568681-1](#) [576786-2](#) [58061-1](#) [58176-1](#) [58177-1](#) [58177-2](#) [58284-1](#) [59085](#) [0031](#) [59737-5](#) [015-0339-000](#) [015-8755-001](#) [600-146-06](#) [M15570-25](#) [62200-5709](#) [6-304052-1](#) [63443-1002](#) [63443-3513](#) [63443-4025](#) [63443-7114](#) [6-354778-5](#) [6-354779-2](#) [63600-2995](#) [63810-0105](#) [M8196914-08](#) [M819698-07](#) [662508-1](#) [662908-1](#) [679994-1](#) [679994-2](#) [68764-0001](#) [69001-0105](#) [69002-5525](#) [690124-7](#) [690191-1](#) [690191-4](#) [690696-1](#) [691409-4](#) [691667-1](#) [692006-2](#) [692655-7](#) [692776-1](#) [692776-4](#) [693077-3](#) [693077-4](#) [693597-1](#) [D20418-137](#) [D20419-189](#) [ESR-17x17](#) [ET-LY10](#)