

THIS COPY IS PROVIDED ON A RESTRICTED BASIS AND IS NOT TO BE USED IN ANY WAY DETRIMENTAL TO THE INTERESTS OF PANDUIT CORP.

**NOTES, UNLESS OTHERWISE SPECIFIED:**

**PANDUIT PCRT1 TOOL:  
FOR INSTALLING OR REMOVING COPPER PATCH CORD PLUGS  
AND FIBER OPTIC PATCH CORD CONNECTORS.**

- PCRT1 IS SUPPLIED WITH THREE DIFFERENT STYLE CONNECTOR BOOTS:
  - (2) FOR LC/SC FIBER OPTIC PATCH CORD CONNECTORS
  - (2) FOR ST FIBER OPTIC PATCH CORD CONNECTORS
  - (1) FOR PVIQ COPPER PATCH CORD PLUGS

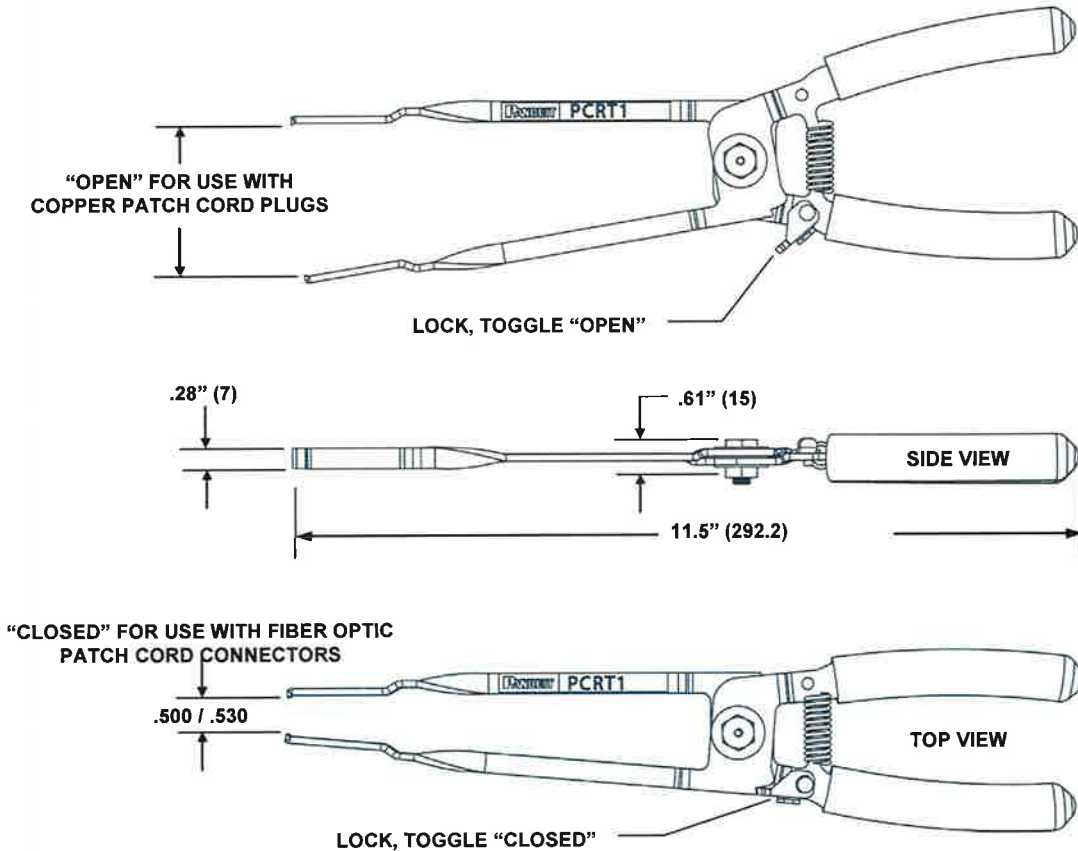
**TOOL WEIGHT:** 0.36 lbs. (161.5 g)

**TOOL MATERIAL:** HEAT TREATED, POWDERED COATED STEEL

- KPCRT1-FL FLASHLIGHT KIT  
(AVAILABLE SEPARATELY)

**DIMENSIONS SHOWN IN PARENTHESES ARE METRIC, AND ARE FOR REFERENCE ONLY.**

F:\wrkgrp\rvusers\ENGR DOCS\CUSTOMER DRAWINGS\RG25512B01\_04 PCRT1 CD.doc



REV	DATE	BY	CHK	APR	DESCRIPTION	ECN
04	7-29-14	BLR			REDRAWN; NEW TEMPLATE, UPD BRANDING, # OF PVIQ PLUGS	4765

<b>PCRT1 CUSTOMER DRAWING</b>					
CUSTOMER DRAWING					
ITEM REVISION NAME: <b>RG25512B01_04</b>	<b>PANDUIT</b>				
UNLESS OTHERWISE SPECIFIED, DIMENSIONAL TOLERANCES ARE: (.x) ± —      (.xxx) ± — (.xx) ± —     ANGLS ± —	MATERIAL: —				
THIRD ANGLE PROJECTION	DRAWING NUMBER: <b>RG25512B01</b>				
DRAWN BY: BLR	DATE: 7-29-14	CHK BJPU	SCALE NONE	SHT 1 OF 1	SIZE B

## X-ON Electronics

Largest Supplier of Electrical and Electronic Components

*Click to view similar products for [Extraction, Removal & Insertion Tools](#) category:*

*Click to view products by [Panduit](#) manufacturer:*

Other Similar products are found below :

[M8196914-08](#) [768211-2](#) [809-131](#) [844751-2](#) [8-59558-2](#) [91018-1](#) [12014013](#) [12093647](#) [1-21048-0](#) [R282867020](#) [12093078](#) [12180559](#) [1-21048-6](#) [12121897](#) [DCF.91.405.5LT](#) [1322](#) [15314260](#) [15350698](#) [15350707](#) [15430130](#) [1579018-4](#) [1643916-1](#) [1-679532-0](#) [1976593-3](#)  
[OUTEXT-0321](#) [2-1579008-3](#) [2-1579008-4](#) [229694-7](#) [231106-1](#) [241469](#) [91040-3](#) [91040-7](#) [965004-000](#) [965069-000](#) [1738219-1](#) [ET-JL05-16](#)  
[FG 0300 146 3000](#) [FIT-6](#) [210S048](#) [2-1579007-9](#) [231879-1](#) [312138-3](#) [RJ11FODE](#) [356-162](#) [M8196914-10](#) [4-1579018-0](#) [430395-001](#) [483249-1](#) [5-1579007-2](#) [5-1579007-9](#)