




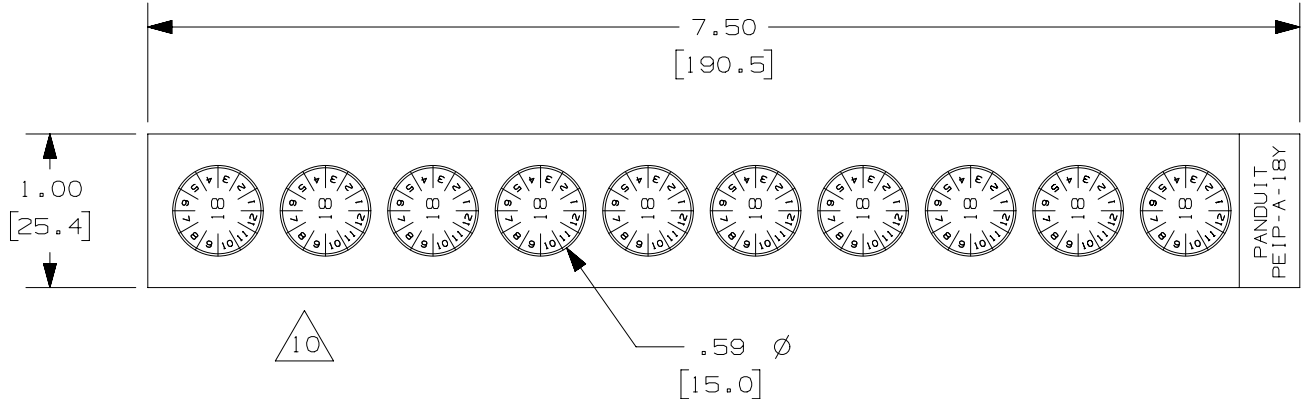


THIS COPY IS PROVIDED ON A RESTRICTED BASIS AND IS NOT TO BE USED IN ANY WAY DETRIMENTAL TO THE INTERESTS OF PANDUIT CORP.

PART NO.	BACKGROUND COLOR	LEGEND COLOR	DETAIL "A"
PEIP-A-18Y	PURPLE	WHITE	
PEIP-A-19Y	GREEN	WHITE	
PEIP-A-20Y	BLUE	WHITE	
PEIP-A-21Y	RED	WHITE	
PEIP-A-22Y	ORANGE	WHITE	

- NOTES:
 1. MILLIMETERS ARE IN [].
 2. 10 MARKER PER CARD.
 3. 10 CARDS PER PACKAGE.



10	7/10/18	RVU	DJW	JHAC	REMOVED PEIP-A-17Y, ADD PEIP-A-22Y.	GAECN04624
9	1/4/17	RVU	DJW	JHAC	REMOVED PEIP-A-16Y, ADD PEIP-A-21Y.	GAECN03932
8	1/7/16	SMY	SEWH	JHAC	REMOVED PEIP-A-15Y, ADD PEIP-A-20Y.	GAECN03313
7	1/12/15	RVU	MJPF	MSAD	REMOVED PEIP-A-14Y. ADD PEIP-A-19Y.	GAECN02514
6	2/7/13	RVU	MJPF	MSAD	REMOVED PEIP-A-13Y. ADD PEIP-A-18Y.	GAECN01532
5	5/24/13	RVU	MJPF	MSAD	GMV10-0L WAS GMV10 VINYL.	GAECN00662
4	2/7/13	RVU	MJPF	MSAD	REMOVED PEIP-A-12Y. ADD PEIP-A-17Y.	GAECN00593

TITLE					
PEIP WRITE-ON MARKER LABEL					
CUSTOMER DRAWING					
ITEM REVISION NAME			100318HM/19		
DATASET FILE NAME			100318HM_DC_C10721/19N		
UNLESS OTHERWISE SPECIFIED, DIMENSIONAL TOLERANCES ARE: IN [mm]			PANDUIT TM		
.x ± .12 [3.05] .xxx ± .025 [.635] .xx ± .062 [1.57] ANGLES ±					
DRAWN BY			DATE	CHK	SCALE
RVU			7/28/08	MSAD	NTS
DRAWING NUMBER:			C10721		
REV			DATE	CHK	SCALE
RVU			7/28/08	MSAD	NTS
SHT 1 OF 1			A		

D10100DA/12

X-ON Electronics

Largest Supplier of Electrical and Electronic Components

Click to view similar products for [Wire Ducting & Raceways](#) category:

Click to view products by [Panduit](#) manufacturer:

Other Similar products are found below :

[FG5EI25-A](#) [PED12](#) [PED8](#) [PEVEP](#) [FXOE3-10M3](#) [FZD3-3M2](#) [FZLE10-10M2](#) [FZOE10-10M1](#) [FZOLE10-10M2](#) [FZPE3-10M2](#) [923223-000](#)
[PRAF6WH-X](#) [A0405538](#) [1301150342](#) [1301230083](#) [1301150343](#) [1301230086](#) [1301240054](#) [AX101472](#) [AX102652](#) [AX102653](#) [AX102737](#)
[S62DS](#) [S65DS](#) [S75DSH](#) [A0405536](#) [A0405537](#) [A0649869](#) [FXOD3-3M1](#) [FXOE10-10M2](#) [FZLD3-3M2](#) [FZOE3-10M1](#) [FZOE3-10M2](#)
[FZOLE3-10M2](#) [FZOPE10-10M1](#) [FZPD3-3M2](#) [PZRFE4](#) [PZWIFIEN](#) [PZWIFIENA](#) [CNPSNH](#) [CNSPC](#) [5400ES](#) [WDLT-1216-72](#) [655287-000](#)
[S75DS](#) [1301180028](#) [801A-LSP](#) [TGECAW](#) [206461-000](#) [853425-000](#)