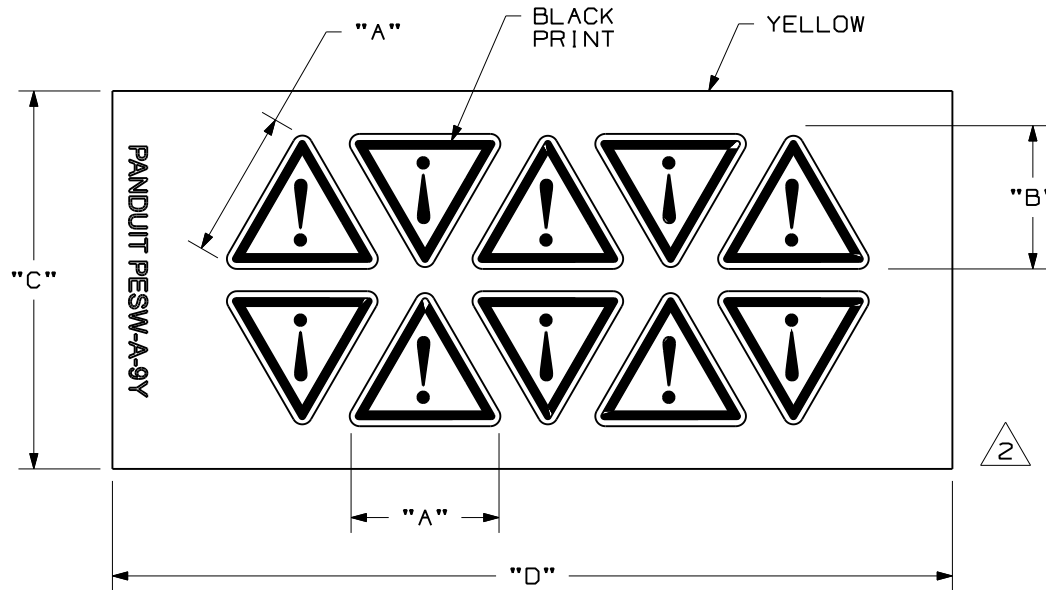


THIS COPY IS PROVIDED ON A RESTRICTED BASIS AND IS NOT TO BE USED IN ANY WAY DETRIMENTAL TO THE INTERESTS OF PANDUIT CORP.

| PART NAME | NUMBER OF LABELS PER CARD | "A" | "B" | "C" | "D" |
|-----------|---------------------------|--------------------|----------------|-----------------|-----------------|
| PESW-A-*Y | 10 | .430 [11.01] | .41 [10.4] | 1.125 [28.6] | 2.50 [63.5] |
| PESW-B-*Y | 10 | .900 [22.86] | .785 [19.9] | 2.00 [50.79] | 5.00 [127.0] |
| PESW-C-*Y | 10 | 1.820 [46.23] | 1.61 [40.9] | 4.375 [111.1] | 10.00 [254.0] |
| PESW-D-*Y | 3 | 3.650 [92.71] | 3.20 [81.3] | 4.00 [101.6] | 10.00 [254.0] |
| PESW-E-*Y | 1 | 7.280 [185] | 6.82 [173.2] | N/A | N/A |

NOTES:
 1. MILLIMETER ARE IN [].
 2. 10 CARD PER PACKAGE.

| PART NO. | LEGEND |
|-----------|--------|
| PESW--1Y | |
| PESW--6Y | |
| PESW--8Y | |
| PESW--9Y | |
| PESW--11Y | |



CAD FILENAME/LAYERS 100318JW_DC_C10664/02C

PANDUIT CORP. TINLEY PARK, ILLINOIS

CUSTOMER DRAWING
 PESW ISO LABELS

| REV | DATE | BY | CHK | DESCRIPTION | ECN | R | CUST | SUP |
|-----|----------|------|-----|--|------|---|------|-----|
| 2 | 02/05/09 | JHAC | | CHANGED REFERENCE PART SHOWN FROM PESW-A-BY TO PESW-A-9Y, MODIFIED DIMENSION REFERENCE POINTS | 5671 | R | | |
| 1 | 11/10/08 | JHAC | | ADDED TABLE. CHANGED DIMENSIONS TO LETTER FORMAT, REMOVED NOTE 2, CHANGED NOTE 3 TO 2, CHANGED NAME FROM PESW-A-*Y TO PESW ISO LABELS. | 5585 | R | | |
| 0 | 7/22/08 | RVU | | DRAWING RELEASE | 5363 | R | | |

| | | | |
|--|---------------------------------|---|------------------|
| UNLESS OTHERWISE SPECIFIED, DIMENSIONAL TOLERANCES ARE: (.X) ± .1 (.XXX) ± .025 (.XX) ± .062 ANGLES ± 5° | | UNLESS OTHERWISE SPECIFIED, ALL DIMENSIONS ARE GIVEN IN INCHES, THIRD ANGLE PROJECTION. | |
| DRAWN BY RVU | MAT'L: GMV1-OL VINYL FILM | SCALE NTS | DWG A SIZE |
| DATE 3/24/08 | CHK'D | DRAWING NO. C10664 | |

X-ON Electronics

Largest Supplier of Electrical and Electronic Components

Click to view similar products for [Labels and Industrial Warning Signs](#) category:

Click to view products by [Panduit](#) manufacturer:

Other Similar products are found below :

[ESSW30-025](#) [FTP-020P0704](#) [QC101](#) [QC105](#) [QCC613](#) [QCC615](#) [132465](#) [142810](#) [15288](#) [15425](#) [18511](#) [HTS795-1](#) [30288](#) [1768021-2](#) [18432](#)
[1878679-3](#) [2-1878614-6](#) [PTL-31-427-YL](#) [30239](#) [QC154](#) [QCC612](#) [30545](#) [35070](#) [WM-15-PK](#) [WM-20-PK](#) [5-1768021-6](#) [06770](#) [11197](#)
[111852](#) [111932](#) [KMT-02513V-9](#) [06742](#) [8-1768039-4](#) [1878983-4](#) [06736](#) [B422 25X85MM](#) [PAXLBK10](#) [LAT-52-361-1](#) [PTL-20-486](#) [PTL-](#)
[38-486](#) [PTLFT-01-425](#) [13903](#) [11237](#) [18389](#) [18341](#) [18603](#) [29904](#) [18519](#) [18524](#) [115110](#)