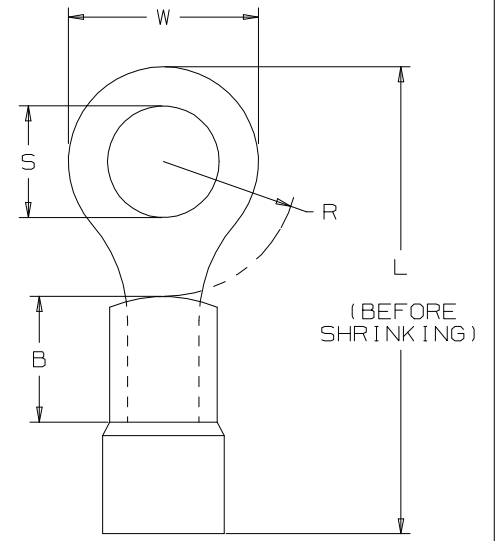


THIS COPY IS PROVIDED ON A RESTRICTED BASIS AND IS NOT TO BE USED IN ANY WAY DETRIMENTAL TO THE INTERESTS OF PANDUIT CORP.

PANDUIT PART NUMBER	WIRE RANGE (AWG)	STUD SIZE S	DIMENSIONS			MAX WIRE INSUL. DIA.	R MIN WASHER RADIUS	INSUL. COLOR	PKG QTY
			B ±.01" (±.25)	W ±.01" (±.25)	L (min.)				
PH18-6R	22-18	#6	.250 (6.35)	.25 (6.35)	1.05 (26.67)	.170 (4.32)	.130 (3.30)	RED	25
PH18-8R	22-18	#8	.250 (6.35)	.31 (7.87)	1.08 (27.43)	.170 (4.32)	.140 (3.56)	RED	25
PH18-10R	22-18	#10	.250 (6.35)	.31 (7.87)	1.08 (27.43)	.170 (4.32)	.172 (4.37)	RED	25
PH18-14R	22-18	1/4"	.250 (6.35)	.47 (11.94)	1.24 (31.50)	.170 (4.32)	.290 (7.37)	RED	25
PH14-6R	16-14	#6	.250 (6.35)	.31 (7.87)	1.06 (26.92)	.190 (4.83)	.130 (3.30)	BLUE	25
PH14-8R	16-14	#8	.250 (6.35)	.31 (7.87)	1.03 (26.16)	.190 (4.83)	.140 (3.56)	BLUE	25
PH14-10R	16-14	#10	.250 (6.35)	.32 (8.12)	1.05 (26.67)	.190 (4.83)	.172 (4.37)	BLUE	25
NCPH14-10R	16-14	#10	.250 (6.35)	.32 (8.12)	1.05 (26.67)	.190 (4.83)	.172 (4.37)	BLUE	500
PH14-14R	16-14	1/4"	.250 (6.35)	.46 (11.68)	1.24 (31.50)	.190 (4.83)	.290 (7.37)	BLUE	25
PH14-56R	16-14	5/16"	.250 (6.35)	.46 (11.68)	1.24 (31.50)	.190 (4.83)	.290 (7.37)	BLUE	25
PH14-38R	16-14	3/8"	.250 (6.35)	.53 (13.46)	1.24 (31.50)	.190 (4.83)	.290 (7.37)	BLUE	25
PH10-8R	12-10	#8	.250 (6.35)	.37 (9.40)	1.22 (30.99)	.240 (6.10)	.140 (3.56)	YELLOW	20
PH10-10R	12-10	#10	.250 (6.35)	.37 (9.40)	1.20 (30.48)	.240 (6.10)	.172 (4.37)	YELLOW	20
NCPH10-10R	12-10	#10	.250 (6.35)	.37 (9.40)	1.20 (30.48)	.240 (6.10)	.172 (4.37)	YELLOW	200
PH10-14R	12-10	1/4"	.250 (6.35)	.52 (13.21)	1.20 (30.48)	.240 (6.10)	.290 (7.37)	YELLOW	20
NCPH10-14R	12-10	1/4"	.250 (6.35)	.52 (13.21)	1.20 (30.48)	.240 (6.10)	.290 (7.37)	YELLOW	200
PH10-38R	12-10	3/8"	.250 (6.35)	.59 (14.99)	1.20 (30.48)	.240 (6.10)	.290 (7.37)	YELLOW	20
PH10-12R	12-10	1/2"	.250 (6.35)	.72 (18.29)	1.54 (39.12)	.240 (6.10)	.350 (8.89)	YELLOW	20



UL LISTED 1200 E52164

CSA CERTIFIED 73971

NOTES:

- UL LISTED AND CSA CERTIFIED AFTER HEAT SHRINKING FOR:
 - A. 600 V. MAX. VOLTAGE RATING
 - B. 257°F (125°C) MAX. TEMPERATURE RATING.
- MATERIAL:
 - A. TERMINAL- TIN PLATED COPPER WITH BRAZED SEAM.
 - B. INSULATOR- HEAT SHRINKABLE POLYOLEFIN WITH HOT MELT SEALANT.
- MINIMUM SHRINK TEMPERATURE: 300°F (150°C)
- ALL DIMENSIONS SHOWN ARE NOMINAL.
- INSTALLATION TOOL: CT-310
- WIRE STRIP LENGTH: 5/16^{+1/16}. (7.9^{+1.6}.)

07	8-25-16	TMR	TMR	RGB	UPDATED TONGUE WIDTH TOLERANCE FROM .005" TO .01"	A41456
06	04-26-13	JBN	RTFI	RTFI	UPDATED DRAWING BORDER & TITLE BLOCK	A41456
REV	DATE	BY	CHK	APR	DESCRIPTION	ECN

TITLE					
RING TERMINALS, HEAT SHRINK INSULATED					
CUSTOMER DRAWING					
ITEM REVISION NAME			N41456BA/07		
DATASET FILE NAME			N41456BA_DC/07		
UNLESS OTHERWISE SPECIFIED, DIMENSIONAL TOLERANCES ARE: IN [mm]			MATERIAL:		
.x ± .1 [2.54]			.xxx ± .005 [.127]		
.xx ± .01 [.25]			ANGLES ± 5 °		
			THIRD ANGLE PROJECTION		
DRAWING NUMBER:			A41456		
DRAWN BY	DATE	CHK	SCALE	SIZE	
DRL	-	-	NONE	A	

D10100DA/15

X-ON Electronics

Largest Supplier of Electrical and Electronic Components

Click to view similar products for [Terminals](#) category:

Click to view products by [Panduit](#) manufacturer:

Other Similar products are found below :

[00-054007-01074-6](#) [00-054007-70206-1](#) [00-054007-70210-8](#) [00-054007-70217-7](#) [00-054007-70226-9](#) [00-054007-70228-3](#) [00-054007-70248-1](#) [00-054007-70256-6](#) [00-054007-70301-3](#) [00-054007-70316-7](#) [0-0320562-0](#) [00-054007-49560-4](#) [00-054007-70209-2](#) [00-054007-70225-2](#) [00-054007-70227-6](#) [00-054007-70231-3](#) [00-054007-70241-2](#) [00-054007-70242-9](#) [00-054007-70244-3](#) [00-054007-70246-7](#) [00-054007-70263-4](#) [00-054007-70288-7](#) [00-054007-70290-0](#) [00-054007-70300-6](#) [00-054007-70304-4](#) [01-2065-1-0216](#) [01-2900-1-04412](#) [00581P0075](#) [600TS-10](#) [60205-1](#) [604200-1](#) [605601-1](#) [60598-1-CUT-TAPE](#) [61314-6-C](#) [61810-3](#) [61-S](#) [61-SN](#) [626-0194](#) [62-NBM-A](#) [62-SN](#) [62-SP](#) [63-S](#) [640179-1](#) [M55155/059I03](#) [M55155/079C01](#) [M55155/099H02](#) [M55155/109H01](#) [M55155/109H02](#) [M55155/12XH05](#) [M55155/16XH02](#)