

THIS COPY IS PROVIDED ON A RESTRICTED BASIS AND IS NOT TO BE USED IN ANY WAY DETRIMENTAL TO THE INTERESTS OF PANDUIT CORP.

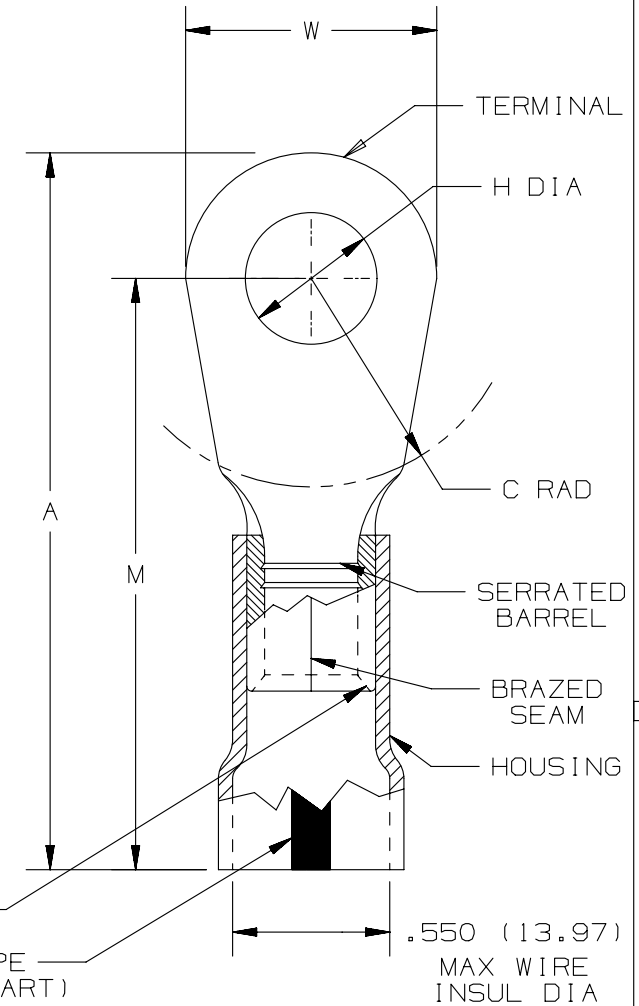
PANDUIT PART NUMBER	STUD SIZE	DIMENSIONS - IN.					TOOL
		A ± .03	W ± .01	C ± .02	M ± .03	H ± .01	
PK2-10R	#10	1.95 (49.53)	.68 (17.27)	.58 (14.73)	1.61 (40.89)	.20 (5.08)	CT-2600 WITH DIE # CD-2600-PV2
PK2-14R	1/4"	1.95 (49.53)	.68 (17.27)	.58 (14.73)	1.61 (40.89)	.27 (6.86)	
PK2-56R	5/16"	1.95 (49.53)	.68 (17.27)	.58 (14.73)	1.61 (40.89)	.33 (8.38)	
PK2-38R	3/8"	1.95 (49.53)	.68 (17.27)	.58 (14.73)	1.61 (40.89)	.39 (9.91)	
PK2-12R	1/2"	2.04 (51.82)	.86 (21.84)	.58 (14.73)	1.61 (40.89)	.52 (13.21)	

NOTES:

- RATED FOR:
  - A. #2 AWG STRANDED COPPER WIRE
- SEE [www.panduit.com](http://www.panduit.com) FOR PART NUMBER SUFFIX DESIGNATION FOR PACKAGE SIZE.
- MATERIAL:
  - A. STAMPING - .060" (1.52) THK COPPER, TIN PLATED
  - B. HOUSING - KYNAR, RED STRIPE
- DIMENSIONS IN BRACKETS ARE IN MILLIMETERS
- WIRE STRIP LENGTH: 1/2" +1/32" (12.7 +0.8) -0 -0.0



LISTED  
587H  
E52164



TITLE  
#2 BARREL KYNAR INSULATED RING TONGUE  
.550 (13.97) MAX. WIRE INSUL. DIAMETER  
CUSTOMER DRAWING

ITEM REVISION NAME  
N41713BA/02  
DATASET FILE NAME  
N41713BA/02



UNLESS OTHERWISE SPECIFIED,  
DIMENSIONAL TOLERANCES ARE: IN (mm)  
.X ± .XXX ±  
.XX ± ANGLES ±

MATERIAL:  
SEE NOTES

THIRD ANGLE PROJECTION

DRAWING NUMBER:  
A41713

02	5/14	JHNU	JHNU	RGB	REVISED TABLE: ADDED TOOL INFORMATION ADDED UL LOGO REVISED TITLE BLOCK	N41713BA-A41713
----	------	------	------	-----	---	-----------------

REV	DATE	BY	CHK	APR	DESCRIPTION	ECN	DRAWN BY	DATE	CHK	SCALE	SHT 1 OF 1	SIZE
							JHNU	2/05		N/A		A

D10100DA/16

## X-ON Electronics

Largest Supplier of Electrical and Electronic Components

*Click to view similar products for [Terminals](#) category:*

*Click to view products by [Panduit](#) manufacturer:*

Other Similar products are found below :

[00-054007-01074-6](#) [00-054007-70206-1](#) [00-054007-70210-8](#) [00-054007-70217-7](#) [00-054007-70226-9](#) [00-054007-70228-3](#) [00-054007-70248-1](#) [00-054007-70256-6](#) [00-054007-70301-3](#) [00-054007-70316-7](#) [0-0320562-0](#) [00-054007-49560-4](#) [00-054007-70209-2](#) [00-054007-70225-2](#) [00-054007-70227-6](#) [00-054007-70231-3](#) [00-054007-70241-2](#) [00-054007-70242-9](#) [00-054007-70244-3](#) [00-054007-70246-7](#) [00-054007-70263-4](#) [00-054007-70288-7](#) [00-054007-70290-0](#) [00-054007-70300-6](#) [00-054007-70304-4](#) [01-2065-1-0216](#) [01-2900-1-04412](#) [00581P0075](#) [600TS-10](#) [60205-1](#) [604200-1](#) [605601-1](#) [60598-1-CUT-TAPE](#) [61314-6-C](#) [61810-3](#) [61-S](#) [61-SN](#) [626-0194](#) [62-NBM-A](#) [62-SN](#) [62-SP](#) [63-S](#) [640179-1](#) [M55155/059I03](#) [M55155/079C01](#) [M55155/099H02](#) [M55155/109H01](#) [M55155/109H02](#) [M55155/12XH05](#) [M55155/16XH02](#)