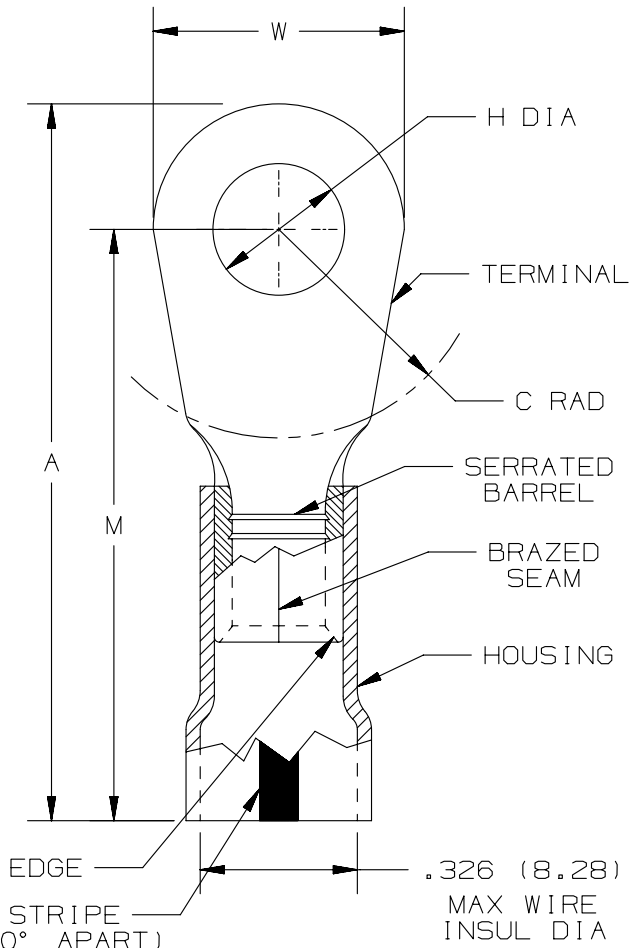


THIS COPY IS PROVIDED ON A RESTRICTED BASIS AND IS NOT TO BE USED IN ANY WAY DETRIMENTAL TO THE INTERESTS OF PANDUIT CORP.

PANDUIT PART NUMBER	STUD SIZE	DIMENSIONS - IN.					TOOL
		A±.03	W±.01	C±.02	M±.03	H±.01	
PK8-8R	#8	1.50 (38.10)	.42 (10.67)	.43 (10.92)	1.29 (32.77)	.17 (4.32)	CT-2600 WITH DIE # CD-2600-PV8
PK8-10R	#10	1.52 (38.61)	.47 (11.94)	.43 (10.92)	1.29 (32.77)	.20 (5.08)	
PK8-14R	1/4"	1.52 (38.61)	.47 (11.94)	.43 (10.92)	1.29 (32.77)	.27 (6.86)	
PK8-56R	5/16"	1.63 (41.40)	.59 (14.99)	.51 (12.95)	1.34 (34.04)	.33 (8.38)	
PK8-38R	3/8"	1.63 (41.40)	.59 (14.99)	.51 (12.95)	1.34 (34.04)	.39 (9.91)	
PK8-12R	1/2"	1.73 (43.94)	.82 (20.83)	.51 (12.95)	1.32 (33.53)	.52 (13.21)	



NOTES:

- RATED FOR:
A. #8 AWG STRANDED COPPER WIRE
- SEE www.panduit.com FOR PART NUMBER SUFFIX DESIGNATION FOR PACKAGE SIZE.
- MATERIAL:
A. STAMPING - .040" (1.02) THK COPPER, TIN PLATED
B. HOUSING - KYNAR, RED STRIPE
- DIMENSIONS IN BRACKETS ARE IN MILLIMETERS
- WIRE STRIP LENGTH: 3/8" +1/32" (9.5 +0.8)
-0 -0.0



LISTED
587H
E52164

TITLE		#8 BARREL KYNAR INSULATED RING TONGUE .326 (8.28) MAX. WIRE INSUL. DIAMETER	
CUSTOMER DRAWING			
ITEM REVISION NAME	N41716BA/04		
DATASET FILE NAME	N41716BA/04		
UNLESS OTHERWISE SPECIFIED, DIMENSIONAL TOLERANCES ARE: IN (mm)		MATERIAL: SEE NOTES	
.X ±	.XXX ±	DRAWING NUMBER: A41716	
.XX ±	ANGLES ±		
THIRD ANGLE PROJECTION		SCALE	
DRAWN BY	DATE	CHK	SCALE
JHNU	2/05	JHNU	N/A
DESCRIPTION		SHT 1 OF 1	
REV	DATE	BY	SIZE
			A

9174DDA/16

X-ON Electronics

Largest Supplier of Electrical and Electronic Components

Click to view similar products for [Terminals](#) category:

Click to view products by [Panduit](#) manufacturer:

Other Similar products are found below :

[00-054007-01074-6](#) [00-054007-70206-1](#) [00-054007-70210-8](#) [00-054007-70217-7](#) [00-054007-70226-9](#) [00-054007-70228-3](#) [00-054007-70248-1](#) [00-054007-70256-6](#) [00-054007-70301-3](#) [00-054007-70316-7](#) [0-0320562-0](#) [00-054007-49560-4](#) [00-054007-70209-2](#) [00-054007-70225-2](#) [00-054007-70227-6](#) [00-054007-70231-3](#) [00-054007-70241-2](#) [00-054007-70242-9](#) [00-054007-70244-3](#) [00-054007-70246-7](#) [00-054007-70263-4](#) [00-054007-70288-7](#) [00-054007-70290-0](#) [00-054007-70300-6](#) [00-054007-70304-4](#) [01-2065-1-0216](#) [01-2900-1-04412](#) [00581P0075](#) [600TS-10](#) [60205-1](#) [604200-1](#) [605601-1](#) [60598-1-CUT-TAPE](#) [61314-6-C](#) [61810-3](#) [61-S](#) [61-SN](#) [626-0194](#) [62-NBM-A](#) [62-SN](#) [62-SP](#) [63-S](#) [640179-1](#) [M55155/059I03](#) [M55155/079C01](#) [M55155/099H02](#) [M55155/109H01](#) [M55155/109H02](#) [M55155/12XH05](#) [M55155/16XH02](#)