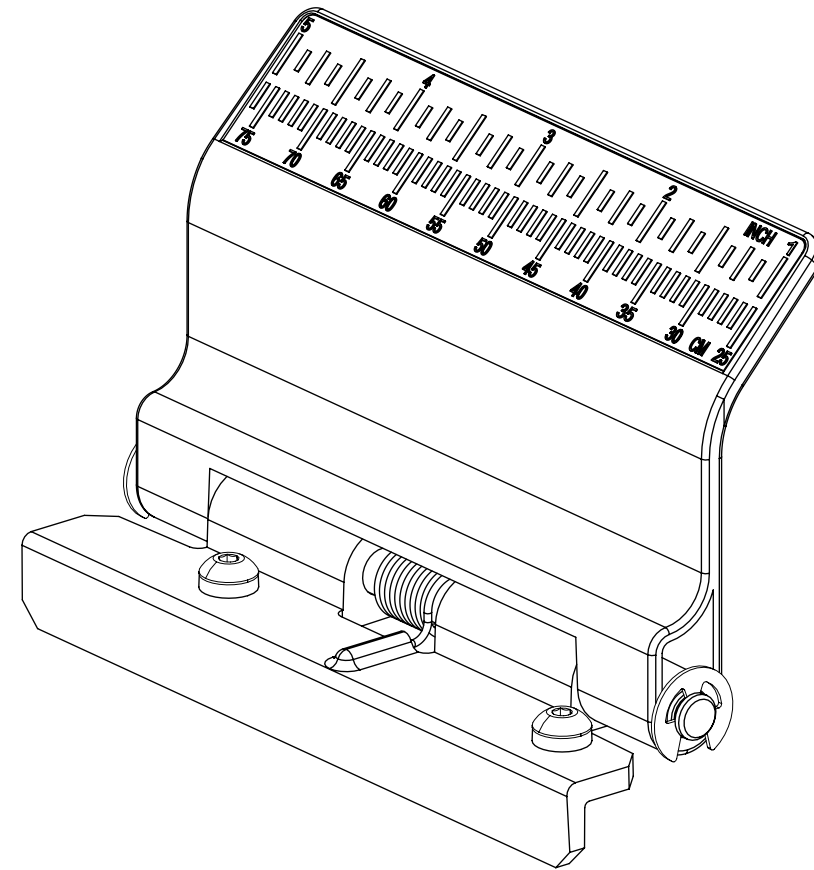
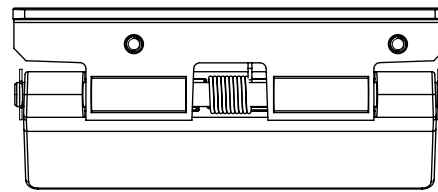


- NOTES:
1. VISIT OUR ON-LINE CATALOG AT WWW.PANDUIT.COM FOR A LIST OF CURRENT PARTS APPLICABLE FOR USE WITH THIS PRODUCT.
 2. DIMENSIONS IN [] ARE METRIC.
 3. ALL MATERIALS AND COMPONENTS USED MEET THE MATERIAL RESTRICTIONS OF RoHS (EUROPEAN DIRECTIVE 2011/65/EU ON THE RESTRICTION OF HAZARDOUS SUBSTANCES) AS PROPOSED BY THE RoHS TECHNICAL ADAPTATION COMMITTEE.
 4. WEIGHT: .18 oz.
 5. PART INCLUDES: Mounting Screws
 6. TOLERANCES: X.X +/- 0.10"; X.XX +/- 0.010" ; X.XXX +/- 0.005"



WE ASK THAT YOU CHECK FULLY THE DIMENSIONS, NOTES, AND SIGN THE CLIENT SIGNATURE BOX. THE JOB WILL NOT PROGRESS WITHOUT SIGNED APPROVAL. PLEASE DO NOT DELAY IN RETURNING PROOF AS IT WILL AFFECT DELIVERY.

| | |
|-------|--|
| SIGN | |
| PRINT | |
| DAE | |

| | | | |
|--------------------|--|------------------------|-----|
| PART NUMBER | | 00129EMZ | |
| TITLE | | PLA-S | |
| | | CUSTOMER DRAWING | |
| ITEM REVISION NAME | | 00129EMZ/02 | |
| DATASET FILE NAME | | 00129EMZ_DC_02A | |
| | | THIRD ANGLE PROJECTION | |
| MATERIAL | | XXXXXXXXXXXX | |
| DRAWN BY | | DATE | CHK |
| LAH | | 09/28/20 | ALP |
| SCALE | | NONE | |
| DRAWING NUMBER | | 00129EMZ - DC | |
| SHEET 1 OF 1 | | SIZE B | |

| REV | DATE | BY | CHK | APR | DESCRIPTION | ECN |
|-----|----------|-----|------|-----|-----------------|-----|
| 02 | 09/28/20 | LAH | RDSE | ALP | INITIAL RELEASE | |

B-SIZE CUSTOMER

X-ON Electronics

Largest Supplier of Electrical and Electronic Components

Click to view similar products for [Wire Labels & Markers](#) category:

Click to view products by [Panduit](#) manufacturer:

Other Similar products are found below :

[89078GBEST](#) [89082GBESR](#) [89082GBEST](#) [PCL025-4](#) [5761-2SF](#) [58400](#) [586R734H02](#) [M1.040.0000.6](#) [CRS-CM5M](#) [CRS-M18M](#) [CS1836-000](#) [CS8626-000](#) [CU6337-000](#) [CU6342-000](#) [CU6343-000](#) [CWD01-0](#) [CWD012-0](#) [CWD012-7](#) [CWD015-3](#) [CWD015-7](#) [CWD02-0](#) [CWD02-3](#) [CWD02-4](#) [CWD02-6](#) [CWD02-8](#) [CWD02-A](#) [CWD02-D](#) [CWD02-H](#) [CWD02-K](#) [CWD02-L](#) [CWD02-M](#) [CWD02-P](#) [CWD02-Q](#) [CWD02-R](#) [CWD02-U](#) [CWD02-W](#) [CWD02-Y](#) [CWD03-+](#) [CWD03-0](#) [CWD03-P](#) [CWD06-0](#) [CWD06-8](#) [CWD06-9](#) [CWD06-L](#) [CWD06-N](#) [CWD09-0](#) [CWD09-5](#) [CWD09-7](#) [6806810001](#) [CZ2857-000](#)