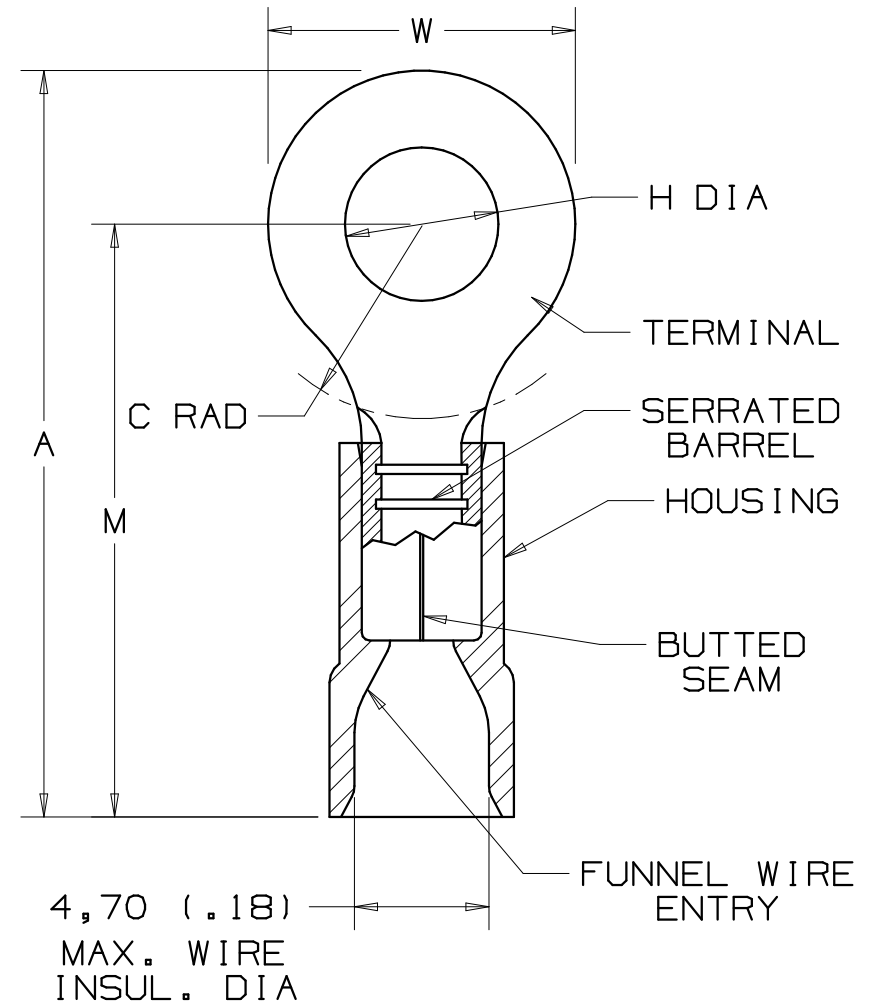


THIS COPY IS PROVIDED ON A RESTRICTED BASIS AND IS NOT TO BE USED IN ANY WAY DETRIMENTAL TO THE INTERESTS OF PANDUIT CORP.


PANDUIT PART #	STUD SIZE	DIMENSIONS mm				
		A $\pm 0,51$	W $\pm 0,25$	C $\pm 0,38$	M $\pm 0,51$	H $\pm 0,25$
PREFIX						
PMV2-3RB	M3	20,5 (.81)	5,84 (.23)	6,35 (.25)	15,24 (.60)	3,30 (.13)
PMV2-4RB	M4	23,05 (.91)	7,87 (.31)	6,35 (.25)	16,76 (.66)	4,57 (.18)
PMV2-5RB	M5	23,75 (.94)	8,89 (.35)	6,35 (.25)	16,76 (.66)	5,33 (.21)
PMV2-6RB	M6	25,65 (1.01)	10,92 (.43)	9,65 (.38)	20,07 (.79)	6,86 (.27)

NOTES:

- USED FOR:
  - A. 600V MAX. VOLTAGE RATING
  - B. 105°C (221°F) MAX. TEMP. RATING
  - C. 1,5-2,5mm<sup>2</sup> (#16-14 AWG), STRANDED COPPER WIRE
- MATERIAL:
  - A. STAMPING - 0,81mm (.03) THK COPPER, TIN PLATED
  - B. HOUSING - BLUE VINYL
- DIMENSIONS IN BRACKETS ARE IN INCHES
- PACKAGE QTY:
  - A. -X =10, -C =100, -M =1000
- WIRE STRIP LENGTH:  $7,9^{+8}_{-0}$  (5/16<sup>+1/32</sup><sub>-0</sub>)
- INSTALLATION TOOLS: REF. DWGS. A41522, A41523, A41524, A41525



A41421\_03

03	10/06	DAW	DAW	ADDED -X PACKAGE QTY.	TRO0171	LCA	TRO	 CORP. TINLEY PARK, ILLINOIS			
02	10/97	TM	WJB	CHANGED DECIMAL POINTS TO COMMAS	06431	LCA	DH				
01	1/97	TM	RLS	UPDATE DIMENSIONS AND NOTES FILESPEC WAS NPC_A41421_00	05478	LA	DH				
00	10/91	BK	RLS	RELEASED	00687	LA	KS				
								2 PC. VINYL INSULATED METRIC RINGS 1,5-2,5mm <sup>2</sup> BARREL			
REV	DATE	BY	CHK	DESCRIPTION	ECN #	CUST	PM	DRAWN BY BDK	CHK'D	SCALE NONE	DRAWING NO. A41421

## X-ON Electronics

Largest Supplier of Electrical and Electronic Components

*Click to view similar products for [Terminals](#) category:*

*Click to view products by [Panduit](#) manufacturer:*

Other Similar products are found below :

[00-054007-01074-6](#) [00-054007-70206-1](#) [00-054007-70210-8](#) [00-054007-70217-7](#) [00-054007-70226-9](#) [00-054007-70228-3](#) [00-054007-70248-1](#) [00-054007-70256-6](#) [00-054007-70301-3](#) [00-054007-70316-7](#) [0-0320562-0](#) [00-054007-49560-4](#) [00-054007-70209-2](#) [00-054007-70225-2](#) [00-054007-70227-6](#) [00-054007-70231-3](#) [00-054007-70241-2](#) [00-054007-70242-9](#) [00-054007-70244-3](#) [00-054007-70246-7](#) [00-054007-70263-4](#) [00-054007-70288-7](#) [00-054007-70290-0](#) [00-054007-70300-6](#) [00-054007-70304-4](#) [01-2065-1-0216](#) [01-2900-1-04412](#) [00581P0075](#) [600TS-10](#) [60205-1](#) [604200-1](#) [605601-1](#) [60598-1-CUT-TAPE](#) [61314-6-C](#) [61810-3](#) [61-S](#) [61-SN](#) [626-0194](#) [62-NBM-A](#) [62-SN](#) [62-SP](#) [63-S](#) [640179-1](#) [M55155/059I03](#) [M55155/079C01](#) [M55155/099H02](#) [M55155/109H01](#) [M55155/109H02](#) [M55155/12XH05](#) [M55155/16XH02](#)