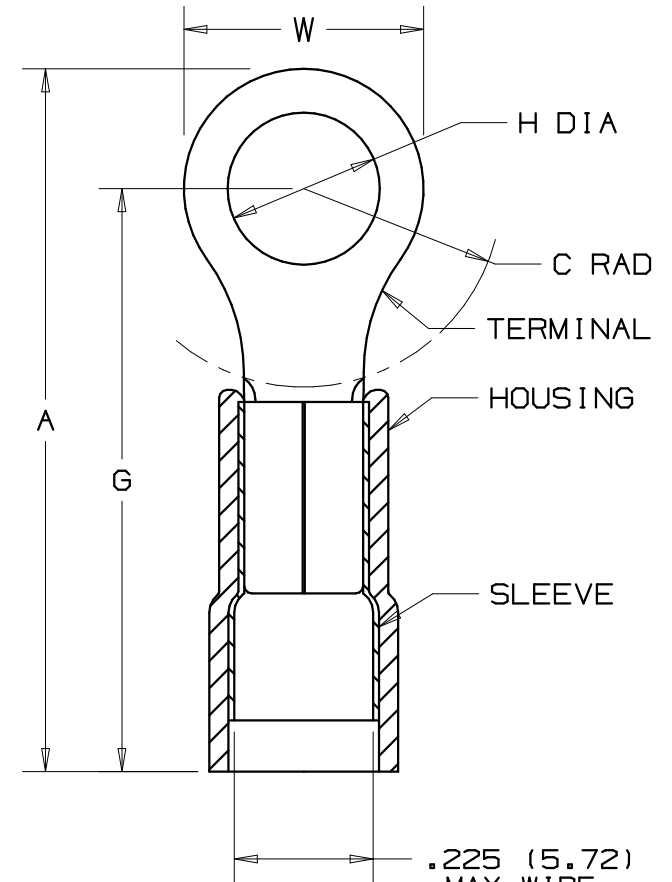


PANDUIT PART NUMBER	MILITARY PART NO. AND CLASS	STUD SIZE	DIMENSIONS in.				
			A ±.04	W ±.01	C ±.02	G ±.04	H ±.01
PN10-6R	MS25036-111 CLASS 1 & 2	#6	1.06 (26.9)	.37 (9.4)	.31 (7.9)	.88 (22.3)	.15 (3.8)
PN10-8R	MS25036-156 CLASS 1 & 2	#8	1.06 (26.9)	.37 (9.4)	.31 (7.9)	.88 (22.3)	.17 (4.3)
PN10-10R	MS25036-112 CLASS 1 & 2	#10	1.06 (26.9)	.38 (9.7)	.31 (7.9)	.88 (22.3)	.20 (5.1)
PN10-14R	MS25036-157 CLASS 1 & 2	1/4"	1.21 (30.7)	.52 (13.2)	.38 (9.7)	.95 (24.1)	.27 (6.9)
PN10-56R	MS25036-113 CLASS 1 & 2	5/16"	1.21 (30.7)	.52 (13.2)	.38 (9.7)	.95 (24.1)	.33 (8.4)
PN10-38R	MS25036-114 CLASS 1 & 2	3/8"	1.29 (32.8)	.58 (14.7)	.43 (10.9)	1.00 (25.4)	.39 (9.9)
PN10-12R	-----	1/2"	1.47 (37.3)	.72 (18.3)	.53 (13.5)	1.11 (28.2)	.52 (13.2)

NOTES:

- UL LISTED AND CSA CERTIFIED FOR:
  - 600V. MAX. BLDG. WIRE (1000V. MAX. IN SIGNS, FIXTURES & LUMINARIES)
  - 221°F. (105°C) MAX. TEMP. RATING
  - #12-10 AWG STRANDED AND #12 AWG SOLID COPPER WIRE WITH THE CT-1550 AND CT-1551 INST. TOOLS
  - #12-10 AWG SOLID OR STRANDED COPPER WIRE WITH THE CT-100 INSTALLATION TOOL.
  - MIL CLASS 2 WITH THE CT-460 INSTALLATION TOOL
- MATERIAL:
  - STAMPING- .04" (1.02) THK. COPPER, TIN PLATED
  - HOUSING- NYLON, YELLOW
  - SLEEVE- BRASS, TIN PLATED
- WIRE STRIP LENGTH- 9/32" +1/32, -0 (7.1, +.8, -0)
- PACKAGE QUANTITY: -L = 50, -D = 500
- DIMENSIONS IN PARENTHESIS ARE IN MILLIMETERS



Panduit part numbers shown on this drawing meet the material requirements of RoHS (EUROPEAN DIRECTIVES 2002/95/EC) as proposed by the Technical Adaptation Committee

A41186\_09

09	8/06	DAW	DAW	ADDED METRIC PART NO. & CLASS	TR00155	LCA	TRO	TINLEY PARK, ILLINOIS  3PC. NYLON INSULATED, 12-10 BARREL, RINGS
08	12/02	SAC	SKB	MADE ALL METRIC DIMS ONE PLACE	10504	LCA	TRO	
07	10/02	SAC	SKB	CHANGED DIM. M TO DIM. G, & DIM. C FOR PN10-12R WAS .56	10480	LA	TRO	
06	9/02	SAC	SKB	ADDED PN10-12R	10453	LA SKB	TRO	
REV	DATE	BY	CHK	DESCRIPTION	ECN #	CUST	PM	DRAWN BY: FES CHK'D: LA SCALE: NONE DRAWING NO.: A41186

## X-ON Electronics

Largest Supplier of Electrical and Electronic Components

*Click to view similar products for [Terminals](#) category:*

*Click to view products by [Panduit](#) manufacturer:*

Other Similar products are found below :

[00-054007-01074-6](#) [00-054007-70206-1](#) [00-054007-70210-8](#) [00-054007-70217-7](#) [00-054007-70226-9](#) [00-054007-70228-3](#) [00-054007-70248-1](#) [00-054007-70256-6](#) [00-054007-70301-3](#) [00-054007-70316-7](#) [0-0320562-0](#) [00-054007-49560-4](#) [00-054007-70209-2](#) [00-054007-70225-2](#) [00-054007-70227-6](#) [00-054007-70231-3](#) [00-054007-70241-2](#) [00-054007-70242-9](#) [00-054007-70244-3](#) [00-054007-70246-7](#) [00-054007-70263-4](#) [00-054007-70288-7](#) [00-054007-70290-0](#) [00-054007-70300-6](#) [00-054007-70304-4](#) [01-2065-1-0216](#) [01-2900-1-04412](#) [00581P0075](#) [600TS-10](#) [60205-1](#) [604200-1](#) [605601-1](#) [60598-1-CUT-TAPE](#) [61314-6-C](#) [61810-3](#) [61-S](#) [61-SN](#) [626-0194](#) [62-NBM-A](#) [62-SN](#) [62-SP](#) [63-S](#) [640179-1](#) [M55155/059I03](#) [M55155/079C01](#) [M55155/099H02](#) [M55155/109H01](#) [M55155/109H02](#) [M55155/12XH05](#) [M55155/16XH02](#)