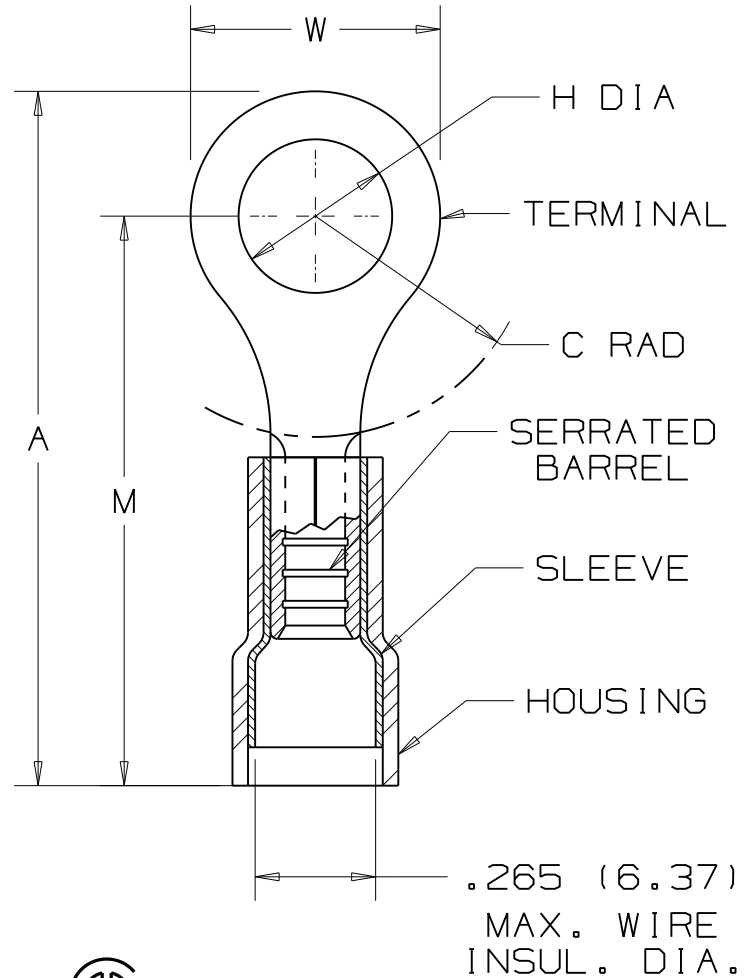


| PANDUIT PART NUMBER | STUD SIZE | DIMENSIONS in. | | | | |
|------------------------|--------------|-----------------|----------------|----------------|-----------------|----------------|
| | | A ±.03 | W ±.01 | C ±.02 | M ±.03 | H ±.01 |
| PN10-6RX | #6 | 1.13 (28.70) | .37 (9.40) | .33 (8.38) | .94 (23.88) | .15 (3.81) |
| PN10-8RX | #8 | 1.13 (28.70) | .37 (9.40) | .33 (8.38) | .94 (23.88) | .17 (4.32) |
| PN10-10RX | #10 | 1.13 (28.70) | .37 (9.40) | .33 (8.38) | .94 (23.88) | .20 (5.08) |
| PN10-14RX | 1/4" | 1.27 (32.26) | .52 (13.21) | .42 (10.69) | 1.01 (25.65) | .27 (6.86) |
| PN10-56RX | 5/16" | 1.27 (32.26) | .52 (13.21) | .42 (10.69) | 1.01 (25.65) | .34 (8.64) |
| PN10-38RX | 3/8" | 1.35 (34.29) | .58 (14.73) | .46 (11.68) | 1.06 (26.92) | .40 (10.16) |

NOTES:


1. UL LISTED AND CSA CERTIFIED FOR:
 - A. 600V. MAX. BLDG WIRE
(1000 V. MAX IN SIGNS, FIXTURES & LUMINAIRES),
 - B. #14-10 AWG SOLID OR STRANDED
COPPER WIRE WITH THE CT-550 INSTALLATION TOOL.
 - C. #12-10 AWG SOLID OR STRANDED
COPPER WIRE WITH THE CT-100 INSTALLATION TOOL.
 - D. #12 AWG SOLID OR STRANDED, AND #10 AWG STRANDED
COPPER WIRE WITH THE CT-1550 AND CT-1551
INSTALLATION TOOLS.
 - E. 221°F (105°C) MAX TEMP. RATING
2. MATERIAL:
 - A. STAMPING - .04" (1.02) THK COPPER, TIN PLATED
 - B. HOUSING - NYLON, YELLOW
 - C. SLEEVE - BRASS, TIN PLATED
3. STRIP LENGTH - 9/32 +1/32
-0
4. SEE www.panduit.com FOR PART NUMBER SUFFIX
DESIGNATION FOR PACKAGE SIZE.
5. DIMENSIONS IN BRACKETS ARE IN MILLIMETERS



LISTED
587H
E52164



CERTIFIED
LR31212

| | | | | | | | | | |
|-----|------|----|-----|-----------------|-------|------|--|---|--|
| | | | | | | |  PANDUIT CORP. TINLEY PARK, ILLINOIS | | |
| | | | | | | | | | #12-10 BARREL NYLON INSULATED RING TONGUE, .265 (6.37) MAX. WIRE INSULATION DIAMETER |
| 07 | 5/11 | SB | | UPDATED NOTE #4 | | | | | |
| REV | DATE | BY | CHK | DESCRIPTION | ECN # | CUST | PM | DRAWN BY: DAW CHK'D: CJH SCALE: NONE DRAWING NO.: A41273 | |

X-ON Electronics

Largest Supplier of Electrical and Electronic Components

Click to view similar products for [Terminals](#) category:

Click to view products by [Panduit](#) manufacturer:

Other Similar products are found below :

[00-054007-01074-6](#) [00-054007-70206-1](#) [00-054007-70210-8](#) [00-054007-70217-7](#) [00-054007-70226-9](#) [00-054007-70228-3](#) [00-054007-70248-1](#) [00-054007-70256-6](#) [00-054007-70301-3](#) [00-054007-70316-7](#) [0-0320562-0](#) [00-054007-49560-4](#) [00-054007-70209-2](#) [00-054007-70225-2](#) [00-054007-70227-6](#) [00-054007-70231-3](#) [00-054007-70241-2](#) [00-054007-70242-9](#) [00-054007-70244-3](#) [00-054007-70246-7](#) [00-054007-70263-4](#) [00-054007-70288-7](#) [00-054007-70290-0](#) [00-054007-70300-6](#) [00-054007-70304-4](#) [01-2065-1-0216](#) [01-2900-1-04412](#) [00581P0075](#) [600TS-10](#) [60205-1](#) [604200-1](#) [605601-1](#) [60598-1-CUT-TAPE](#) [61314-6-C](#) [61810-3](#) [61-S](#) [61-SN](#) [626-0194](#) [62-NBM-A](#) [62-SN](#) [62-SP](#) [63-S](#) [640179-1](#) [M55155/059I03](#) [M55155/079C01](#) [M55155/099H02](#) [M55155/109H01](#) [M55155/109H02](#) [M55155/12XH05](#) [M55155/16XH02](#)