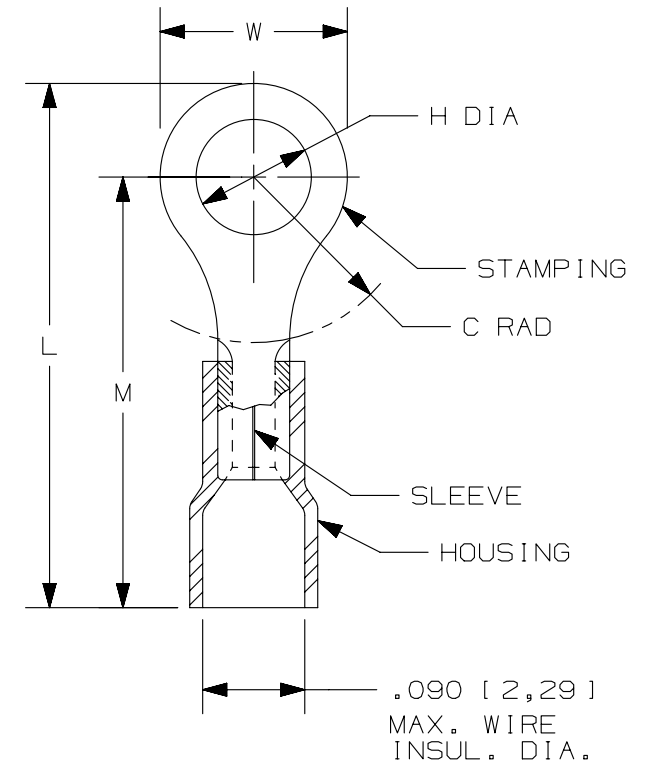


THIS COPY IS PROVIDED ON A RESTRICTED BASIS AND IS NOT TO BE USED IN ANY WAY DETRIMENTAL TO THE INTERESTS OF PANDUIT CORP.

PANDUIT PART #	STUD SIZE	DIMENSIONS in. [mm]				
		L ± .03 [0,8]	W ± .01 [0,3]	C ± .015 [0,4]	M ± .03 [0,8]	H ± .01 [0,3]
PN22-2R	#2	.69 [17,5]	.20 [5,1]	.18 [4,6]	.59 [15,0]	.10 [2,5]
PN22-4R	#4	.69 [17,5]	.20 [5,1]	.18 [4,6]	.59 [15,0]	.13 [3,3]
PN22-6R	#6	.69 [17,5]	.20 [5,1]	.18 [4,6]	.59 [15,0]	.15 [3,8]
PN22-8R	#8	.78 [19,8]	.26 [6,6]	.26 [6,6]	.65 [16,5]	.17 [4,3]
PN22-10R	#10	.78 [19,8]	.31 [7,9]	.24 [6,1]	.62 [15,8]	.21 [5,3]



NOTES:

- USED FOR:
 - A. SOLID OR STRANDED COPPER WIRE
 - B. 221°F [105°C] MAX. OPERATING TEMPERATURE
 - C. 300 V. MAX. VOLTAGE RATING
- INSTALLATION TOOLS: CT-520, CT-1525
- WIRE STRIP LENGTH: 3/16" ^{+1/32} [4,8^{+0,8}]
- MATERIAL:
 - A. STAMPING: .02" [0,5] THK COPPER, TIN PLATED
 - B. HOUSING: NYLON, YELLOW
 - C. SLEEVE: BRASS, TIN PLATED
- SEE www.panduit.com FOR PACKAGE QUANTITIES INDICATED BY PART NUMBER SUFFIX
- DIMENSIONS IN BRACKETS ARE METRIC EQUIVALENT

REV	DATE	BY	CHK	APR	DESCRIPTION	ECN
07	04-24-13	JBN	RTFI	RTFI	UPDATED DRAWING BORDER & TITLE BLOCK	A41233

TITLE RING TERMINALS, NYLON INSULATED #26-22					
CUSTOMER DRAWING					
ITEM REVISION NAME N41233BA/07			PANDUIT		
DATASET FILE NAME N41233BA_DC/07A					
UNLESS OTHERWISE SPECIFIED, DIMENSIONAL TOLERANCES ARE: IN [mm]					MATERIAL: SEE NOTES
.x ± .1 [2.54] .xx ± .01 [2.54]			.xxx ± .005 [0.13] ANGLES ± 5°		DRAWING NUMBER: A41233
DRAWN BY DAW		DATE -	CHK RLS	SCALE N.T.S.	SHT 1 OF 1
			THIRD ANGLE PROJECTION		SIZE A

D101000DA/15

X-ON Electronics

Largest Supplier of Electrical and Electronic Components

Click to view similar products for [Terminals](#) category:

Click to view products by [Panduit](#) manufacturer:

Other Similar products are found below :

[00-054007-01074-6](#) [00-054007-70206-1](#) [00-054007-70210-8](#) [00-054007-70217-7](#) [00-054007-70226-9](#) [00-054007-70228-3](#) [00-054007-70248-1](#) [00-054007-70256-6](#) [00-054007-70301-3](#) [00-054007-70316-7](#) [0-0320562-0](#) [00-054007-49560-4](#) [00-054007-70209-2](#) [00-054007-70225-2](#) [00-054007-70227-6](#) [00-054007-70231-3](#) [00-054007-70241-2](#) [00-054007-70242-9](#) [00-054007-70244-3](#) [00-054007-70246-7](#) [00-054007-70263-4](#) [00-054007-70288-7](#) [00-054007-70290-0](#) [00-054007-70300-6](#) [00-054007-70304-4](#) [01-2065-1-0216](#) [01-2900-1-04412](#) [00581P0075](#) [600TS-10](#) [60205-1](#) [604200-1](#) [605601-1](#) [60598-1-CUT-TAPE](#) [61314-6-C](#) [61810-3](#) [61-S](#) [61-SN](#) [626-0194](#) [62-NBM-A](#) [62-SN](#) [62-SP](#) [63-S](#) [640179-1](#) [M55155/059I03](#) [M55155/079C01](#) [M55155/099H02](#) [M55155/109H01](#) [M55155/109H02](#) [M55155/12XH05](#) [M55155/16XH02](#)