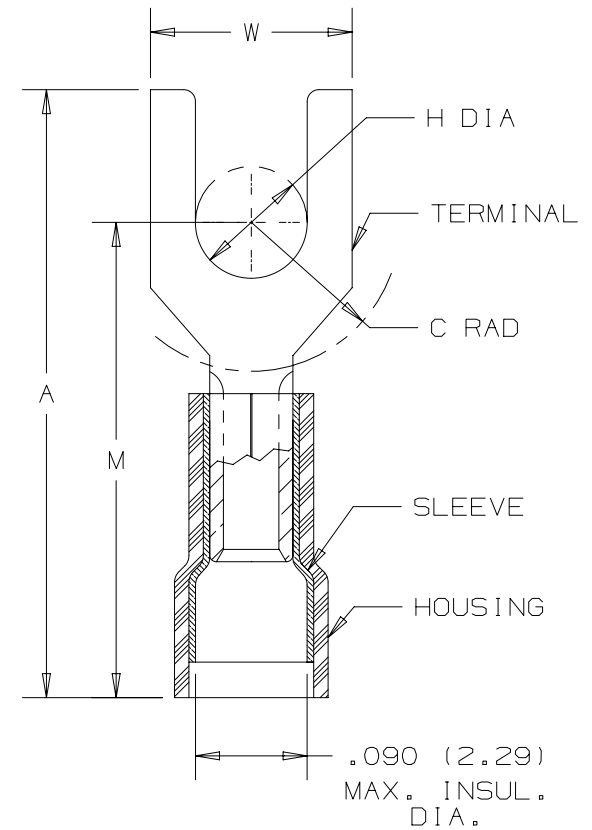


THIS COPY IS PROVIDED ON A RESTRICTED BASIS AND IS NOT TO BE USED IN ANY WAY DETRIMENTAL TO THE INTERESTS OF PANDUIT CORP.

PANDUIT PART #	STUD SIZE	DIMENSIONS - in [mm]				
		A ± .03 [0,8]	W ± .01 [0,3]	C ± .02 [0,51]	M ± .03 [0,8]	H ± .01 [0,3]
PN22-4F	#2	.67 [17,02]	.20 [5,08]	.21 [5,33]	.57 [14,49]	.12 [3,05]
PN22-6F	#6	.77 [19,56]	.25 [6,35]	.26 [6,60]	.63 [16,00]	.15 [3,81]

INSTALLATION TOOLS
CT-520
CT-1525 (A POCKET)
CT-2500 (CT-2525CH: A PKT)



NOTES:

1. RECOMMENDED FOR:

- A. #26-22 AWG SOLID OR STRANDED COPPER WIRE
- B. 221° [105°C] MAX TEMP. RATING
- C. 300V MAX VOLTAGE RATING

2. MATERIAL:

- A. STAMPING: .02" [0,5] THK COPPER, TIN PLATED
- B. HOUSING: NYLON, YELLOW
- C. SLEEVE: BRASS, TIN PLATED

3. SEE www.panduit.com FOR PACKAGE QUANTITIES

4. DIMENSIONS IN BRACKETS ARE IN MILLIMETERS

5. WIRE STRIP LENGTH: $3/16" \begin{smallmatrix} +1/32 \\ -0 \end{smallmatrix}$ [4,8mm $\begin{smallmatrix} +0,8 \\ -0 \end{smallmatrix}$]

REV	DATE	BY	CHK	APR	DESCRIPTION	ECN
08	04-27-15	TMR	JHNU	RGB	ADDED CT-1525 CT-2500 TOOL, UPDATED TOOL FORMAT	A41235
07	04-26-13	JBN	RTFI	RTFI	UPDATED DRAWING BORDER & TITLE BLOCK	A41235

TITLE		FORK TERMINAL, NYLON INSULATED #26-22 AWG CONTROL DRAWING	
ITEM REVISION NAME		N41235BA/08	
DATASET FILE NAME		N41235BA_DC/08	
UNLESS OTHERWISE SPECIFIED, DIMENSIONAL TOLERANCES ARE: IN [mm]		MATERIAL: SEE NOTES	
.x ± .1 [2.54] .xx ± .01 [.25]		.xxx ± .005 [.127] ANGLES ± 5 °	
DRAWN BY DAW		DATE -	SCALE NONE
THIRD ANGLE PROJECTION		DRAWING NUMBER: A41235	
SHT 1 OF 1		SIZE A	

D10100DA/16

X-ON Electronics

Largest Supplier of Electrical and Electronic Components

Click to view similar products for [Terminals](#) category:

Click to view products by [Panduit](#) manufacturer:

Other Similar products are found below :

[00-054007-01074-6](#) [00-054007-70206-1](#) [00-054007-70210-8](#) [00-054007-70217-7](#) [00-054007-70226-9](#) [00-054007-70228-3](#) [00-054007-70248-1](#) [00-054007-70256-6](#) [00-054007-70301-3](#) [00-054007-70316-7](#) [0-0320562-0](#) [00-054007-49560-4](#) [00-054007-70209-2](#) [00-054007-70225-2](#) [00-054007-70227-6](#) [00-054007-70231-3](#) [00-054007-70241-2](#) [00-054007-70242-9](#) [00-054007-70244-3](#) [00-054007-70246-7](#) [00-054007-70263-4](#) [00-054007-70288-7](#) [00-054007-70290-0](#) [00-054007-70300-6](#) [00-054007-70304-4](#) [01-2065-1-0216](#) [01-2900-1-04412](#) [00581P0075](#) [600TS-10](#) [60205-1](#) [604200-1](#) [605601-1](#) [60598-1-CUT-TAPE](#) [61314-6-C](#) [61810-3](#) [61-S](#) [61-SN](#) [626-0194](#) [62-NBM-A](#) [62-SN](#) [62-SP](#) [63-S](#) [640179-1](#) [M55155/059I03](#) [M55155/079C01](#) [M55155/099H02](#) [M55155/109H01](#) [M55155/109H02](#) [M55155/12XH05](#) [M55155/16XH02](#)